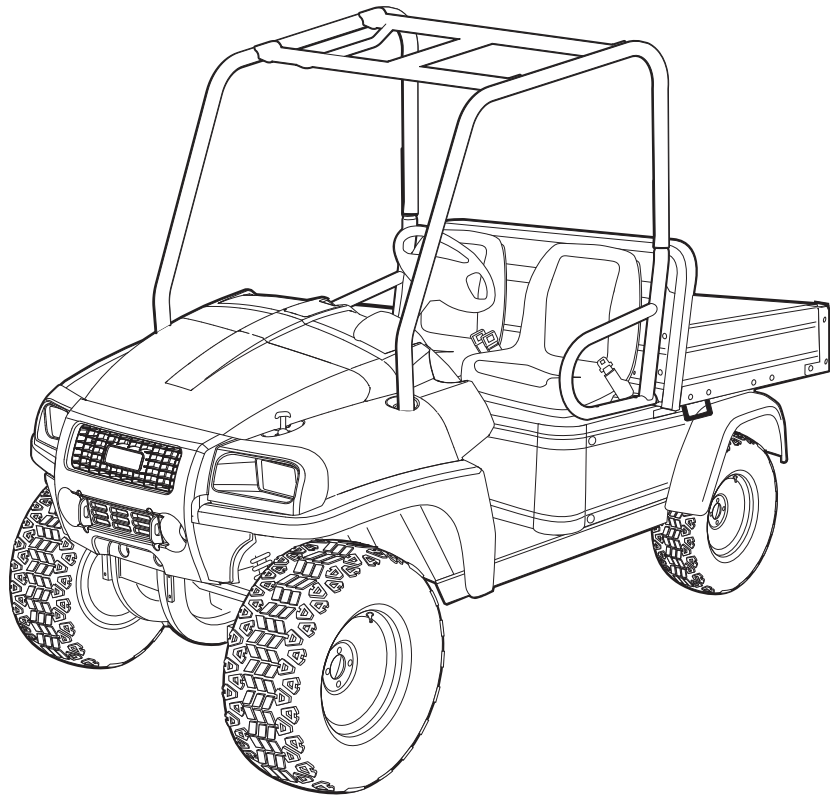




2015
Carryall 1500/1700
and XRT 1550
Illustrated Parts List



Carryall 1500/1700 and XRT 1550/1550 SE
Gasoline, Diesel and IntelliTach Vehicles

Manual Number 105157110
Edition Code 0814B0215A

USING THE ILLUSTRATED PARTS LIST

⚠ WARNING

- **This manual is to be used only for identification and ordering of service parts. Be sure to read and use the maintenance and service manual before attempting any vehicle repairs.**

This manual covers 2015 XRT 1550, 1550 SE, 1550 IntelliTach, and Carryall 1500, 1700, Carryall 1500 IntelliTach vehicles.

The manual is divided into sections. Note that there are two or three flags on the outside edge of each page. The first flag contains the section number of which that page is a part. The other flag (or flags) contains the letter D, E, or G, signifying that the page pertains to the diesel, electric, or gasoline vehicles only.

Use the Table of Contents to find the sections and pages that contain the parts and assemblies you seek. The Table of Contents lists section numbers, and under them, the individual page titles and numbers to be found in that section. The index can be used to find specific parts and assemblies. The index is divided into numerical and alphabetical listings with the page numbers in italic text.

There is a two-page spread for each individual page title in the Table of Contents. On the left-hand page is an illustration showing the parts in their relative positions; the parts are each tagged with an item number in a balloon. The right-hand page is the parts list page, and gives the page title at the top, then the item numbers (corresponding to the numbers on the illustration), part descriptions, and quantity of parts used.

Note that a part description may be indented. This indentation corresponds to a parts assembly level indicated by the numbers 1, 2, 3, and 4 at the top left corner of the parts description area of the parts list page. A part that is indented to *level 2* is a component of the *level 1* part (assembly) that it is listed under. A *level 3* part is a component of the *level 2* part that it is listed under, and a *level 4* part is a component of the *level 3* part preceding it. In each case, the part quantity given for a level 2, 3, or 4 part *is the quantity used per next higher level assembly of which it is a component*. A part that is not indented is a *level 1* part. This means that the quantity given is the quantity used per the portion of the vehicle illustrated on that particular spread.

HOW TO ORDER PARTS

Replacement parts and accessories can be obtained from our network of authorized dealers and distributors. You can obtain the name and phone number of your closest authorized Club Car dealer or distributor by visiting our web site at www.clubcar.com and clicking on the "Distributor Search" link or by calling our toll-free Service Parts and Technical Assistance hotline at (800) 872-2246 or (706) 863-3000, extension 3887.



P. O. Box 204658
Augusta, Georgia 30917-4658 USA
Telephone 706-863-3000
Service Parts Fax 706-855-7413
www.clubcar.com

NOTE: *This illustrated parts list represents the most current information at the time of publication. Club Car, LLC is continually working to further improve its vehicles and other products. These improvements may affect the parts used to service the vehicle. Any modification and/or significant change in specifications will be forwarded to all Club Car and Carryall distributors/dealers and will, when applicable, appear in future editions of this illustrated parts list.*

Club Car, LLC reserves the right to change specifications and designs at any time without notice and without the obligation of making changes to units previously sold.

Copyright © 2014 Club Car, LLC
Club Car is a registered trademark of Club Car, LLC.
This manual effective September 01, 2014

CONTENTS

SECTION 1 – BODY AND TRIM

Brush Guard	1-3
Tow Hook Plates	1-5
Plastic Skid Plate	1-7
Steel Skid Plate	1-9
Fascia, Fenders, and Cowls (Molded in Color) – Carryall	1-11
Fascia, Fenders, and Cowls (Molded in Color) – XRT	1-13
Fascia, Fenders, and Cowl (Molded in Color) – IntelliTach	1-15
Dash and Splash Guard	1-17
Glove Box	1-19
Side Stringers – 2 Passenger	1-21
Side Stringers – 4 Passenger	1-23
Floorboard	1-25
Floorboard – Rear	1-27
Bench Seat	1-29
Bench Seat, Rear – 4 Pass	1-31
Bucket Seats – Gray	1-33
Bucket Seats – Black	1-35
2-Point Seat Belts	1-37
3-Point Seat Belts	1-39
ROPS and Seat Support	1-41
ROPS – 4 Pass	1-43
Head Rests and Rear Seat Handle – 4 Pass	1-45
Canopy (Vehicle with ROPS)	1-47
Side Panels and Rear Fenders – 2 Pass	1-49
Side Panels and Rear Fenders – 4 Pass	1-51
Latch Plates and Prop Rod	1-53
Tilt Bed, Hinge, and Latch	1-55
Electric Bed Lift	1-57
Box Bed – Aluminum	1-59
Box Bed – Steel	1-61

SECTION 2 – WHEELS AND TIRES

Wheels and Tires – Kenda	2-3
Wheels and Tires – OTR	2-5

SECTION 3 – DECALS

Safety Decals – Carryall and XRT 2-Passenger	3-3
--	-----

CONTENTS

Safety Decals – Carryall and XRT 2-Passenger, Continued	3-5
Badging Decals – Carryall 2-Passenger	3-7
Badging Decals – XRT 2-Passenger	3-9
Safety Decals – Carryall and XRT 4-Passenger	3-11
Safety Decals – Carryall and XRT 4-Passenger, Continued	3-13
Badging Decals – Carryall 4-Passenger	3-15
Badging Decals – XRT 4-Passenger	3-17
Safety Decals – IntelliTach	3-19
Safety Decals – IntelliTach, Continued	3-21
Badging Decals – Carryall Intellitach	3-23
Badging Decals – XRT Intellitach	3-25
Badging Decals – Intellitach	3-27

SECTION 4 – BRAKE SYSTEMS AND PEDALS – WITH SINGLE-PISTON FRONT CALIPERS

Front Brakes	4-3
Master Cylinder with Integral Reservoir	4-5
Hydraulic Brake Lines and Clips	4-7
Brake Pedal	4-9
Park Brake System	4-11
Rear Brakes	4-13

SECTION 5 – BRAKE SYSTEMS AND PEDALS – WITH DUAL-PISTON FRONT CALIPERS

Front Brakes	5-3
Master Cylinder with Integral Reservoir	5-5
Hydraulic Brake Lines and Clips	5-7
Brake Pedal	5-9
Park Brake System	5-11
Rear Brakes	5-13

SECTION 6 – STEERING AND SUSPENSION – WITH SINGLE-PISTON FRONT CALIPERS

Steering Wheel and Column	6-3
Steering Gear	6-5
Front Suspension – Page 1 of 2	6-7
Front Suspension – Page 2 of 2	6-9
Shock Absorbers – 800 lb. Capacity	6-11
Shock Absorbers – 1050 lb. Capacity	6-13
Rear Suspension (4-Link)	6-15

CONTENTS

SECTION 7 – STEERING AND SUSPENSION – WITH DUAL-PISTON FRONT CALIPERS

Steering Wheel and Column	7-3
Steering Gear	7-5
Front Suspension – Page 1 of 2	7-7
Front Suspension – Page 2 of 2	7-9
Shock Absorbers – 800 lb. Capacity	7-11
Shock Absorbers – 1050 lb. Capacity	7-13
Rear Suspension (4-Link)	7-15

SECTION 8 – ELECTRICAL SYSTEM – GAS VEHICLES

Headlights – Carryall	8-3
Headlights – XRT	8-5
Wiring – Kawasaki Gas Engine	8-7
Electrical Components, Front Body – Gas Vehicle	8-9
Electrical Component Box, Gasoline Vehicle	8-11
Battery – Gasoline Vehicle	8-13

SECTION 9 – ELECTRICAL SYSTEM – DIESEL VEHICLES

Headlights – Carryall	9-3
Headlights – XRT	9-5
Headlights – IntelliTach	9-7
Wiring – Kubota Diesel Engine, One-Piece Harness	9-9
Wiring – Hydraulic Attachment (IntelliTach)	9-11
Wiring – Seat Belt Reminder (IntelliTach)	9-13
Electrical Components, Front Body – Diesel Vehicle	9-15
Electrical Components, Front Body – IntelliTach	9-17
Electrical Component Box, Diesel Vehicle	9-19
Battery – Diesel Vehicle	9-21

SECTION 10 – ENGINE – KAWASAKI FH680D GASOLINE

Tune-Up Kit – Kawasaki FH680	10-3
Kawasaki FH680D Gasoline Engine and Mounting	10-5
Oil and Lubrication Components	10-7
Oil Filter Adapter – Kawasaki FH680	10-9
Ignition Components and Flywheel – Kawasaki FH680	10-11
Cylinder Head and Crankcase	10-13
Valves and Camshaft	10-15
Pistons and Crankshaft	10-17

CONTENTS

Shrouds and Brackets	10-19
----------------------------	-------

SECTION 11 – ENGINE – KUBOTA DIESEL, D722, E3B SERIES

Tune-Up Kit – Kubota D722	11-3
DIESEL ENGINE AND ENGINE MOUNTING (D722 – E3B)	11-5
Crankcase (D722 – E3B)	11-7
Oil Pan (D722 – E3B)	11-9
Cylinder Head (D722 – E3B)	11-11
Gear Case (D722 – E3B)	11-13
Head Cover (D722 – E3B)	11-15
Dipstick and Guide (D722 – E3B)	11-17
Oil Pump (D722 – E3B)	11-19
Main Bearing Case (D722 – E3B)	11-21
Camshaft and Idle Gear (D722 – E3B)	11-23
Piston and Crankshaft (D722 – E3B)	11-25
Flywheel (D722 – E3B)	11-27
Fuel Camshaft (D722 – E3B)	11-29
Idle Apparatus (D722 – E3B)	11-31
Stop Solenoid (D722 – E3B)	11-33
40-Amp Alternator, Belt and Pulleys (D722 – E3B)	11-35
60-Amp Alternator, Belt and Pulleys (D722 – E3B)	11-37
Fuel Injection Pump (D722 – E3B)	11-39
Speed Control (D722 – E3B)	11-41
Nozzle Holders and Glow Plugs (D722 – E3B)	11-43
Governor Components (D722 – E3B)	11-45
Starter – Sealed (D722 – E3B)	11-47
Valves and Rocker Arms (D722 – E3B)	11-49
Intake Manifold (D722 – E3B)	11-51
Exhaust Manifold (D722 – E3B)	11-53
Gasket Kits (D722 – E3B)	11-55
Piston Rebuild Kit (D722 – E3B)	11-57

SECTION 12 – ENGINE – KUBOTA DIESEL, D722, E4B SERIES

Tune-Up Kit – Kubota D722	12-3
Diesel Engine and Engine Mounting (D722 – E4B)	12-5
Crankcase (D722 – E4B)	12-7
Oil Pan (D722 – E4B)	12-9
Cylinder Head (D722 – E4B)	12-11
Gear Case (D722 – E4B)	12-13

CONTENTS

Head Cover (D722 – E4B)	12-15
Dipstick and Guide (D722 – E4B)	12-17
Oil Pump (D722 – E4B)	12-19
Main Bearings and Bearing Cases (D722 – E4B)	12-21
Crankshaft (D722 – E4B)	12-23
Piston, Piston Rings and Connecting Rod (D722 – E4B)	12-25
Flywheel (D722 – E4B)	12-27
Camshaft and Idle Gear (D722 – E4B)	12-29
Fuel Camshaft (D722 – E4B)	12-31
Idle Apparatus (D722 – E4B)	12-33
Stop Solenoid (D722-E4B)	12-35
40-Amp Alternator, Belt and Pulleys (D722 – E4B)	12-37
60-Amp Alternator, Belt and Pulleys (D722 – E4B)	12-39
Fuel Injection Pump (D722 – E4B)	12-41
Speed Control (D722 – E4B)	12-43
Nozzle Holders and Glow Plugs (D722 – E4B)	12-45
Governor Components (D722 – E4B)	12-47
Starter – Sealed (D722 – E4B)	12-49
Valves and Rocker Arms (D722 – E4B)	12-51
Intake Manifold (D722 – E4B)	12-53
Exhaust Manifold (D722 – E4B)	12-55

SECTION 13 – FUEL, INTAKE, ACCELERATOR & GOVERNOR SYSTEMS – KAWASAKI GAS ENGINES

Fuel Tank – Gasoline Vehicle	13-3
Fuel Pump, Filter and Hose – Kawasaki FH680	13-5
Carbon Canister – Gasoline Vehicle	13-7
Intake Hoses and Air Filter – Kawasaki FH680	13-9
Carburetor – Kawasaki FH680	13-11
Intake Manifold and Carburetor Mounting – Kawasaki FH680	13-13
Accelerator Pedal	13-15
Accelerator and Choke Cables – Kawasaki FH680	13-17
Governor Arm and Springs	13-19

SECTION 14 – FUEL, INTAKE & ACCELERATOR SYSTEMS – KUBOTA DIESEL ENGINE

Fuel Tank – Diesel Vehicle	14-3
Fuel Pump, Filter and Hose – Diesel	14-5
Intake Hoses and Air Filter – Diesel Vehicle	14-7
Accelerator Pedal	14-9

CONTENTS

Accelerator Cable – Diesel Vehicle	14-11
--	-------

SECTION 15 – EXHAUST SYSTEM – GAS & DIESEL

Exhaust Pipe and Muffler	15-3
Exhaust Header – Kawasaki FH680	15-5
Exhaust Pipes – Diesel Vehicles	15-7

SECTION 16 – CLUTCHES – KAWASAKI GAS ENGINE

Drive Belt	16-3
Drive Clutch (3 Weight) – Gas Vehicle	16-5
Driven Clutch (for 3 Weight Drive Clutch)	16-7
Clutch Cover (Non-Sealed)	16-9
Clutch Cover (Sealed)	16-11

SECTION 17 – CLUTCHES – KUBOTA DIESEL ENGINE

Drive Belt	17-3
Drive Clutch (3 Weight) – Diesel Vehicle	17-5
Driven Clutch (for 3 Weight Drive Clutch)	17-7
Clutch Cover (Non-Sealed)	17-9
Clutch Cover (Sealed)	17-11

SECTION 18 – DRIVETRAIN COMPONENTS – GAS & DIESEL

Oil, Differential and Transmission	18-3
Forward/Reverse Shifter	18-5
Shifter Cable	18-7
Front Differential (Output Components)	18-9
Front Differential (Input Components)	18-11
Front Differential Mounting and Half Shafts	18-13
CV Boot Repair Kits	18-15
Transmission – Page 1 of 3	18-17
Transmission – Page 2 of 3	18-19
Transmission – Page 3 of 3	18-21
Prop Shafts	18-23
Rear Differential and Axles – Page 1 of 2	18-25
Rear Differential and Axles – Page 2 of 2	18-27

SECTION 19 – RADIATOR AND COOLANT SYSTEM – DIESEL VEHICLES

Radiator	19-3
----------------	------

CONTENTS

Coolant Expansion Tank	19-5
Coolant Pipes, Clamps, Hoses and Hardware, 2-Passenger	19-7
Coolant Pipes, Clamps, Hoses and Hardware, 4-Passenger	19-9
Water Flange and Thermostat	19-11
Water Pump	19-13
Block Coolant Pipe	19-15

SECTION 20 – HYDRAULIC ATTACHMENT SYSTEM AND ACCESSORIES

Handbook	20-3
Attachment – Pallet Fork	20-5
Attachment – Bucket	20-7
Attachment – Snow Blade	20-9
Attachment – Broom	20-11
Accessory Mounting Weldment	20-13
Attachment Arm Kit	20-15
Attachment Interface	20-17
Hydraulic Controls	20-19
Hydraulic Cylinders	20-21
Hydraulic Hoses	20-23
Hydraulic Attachment Angle Kit	20-25
Hydraulic Power Unit – Standard	20-27
Hydraulic Power Unit – with Auxiliary	20-29
Standard to Auxiliary Hydraulic Conversion Kit	20-31

SECTION 21 – MAINTENANCE AND SERVICE TOOLS

Maintenance and Service Tools – 1500/1550/1700	21-3
Maintenance and Service Tools – 1500/1550/1700 Continued	21-5

SECTION i – INDEX

BODY AND TRIM

1

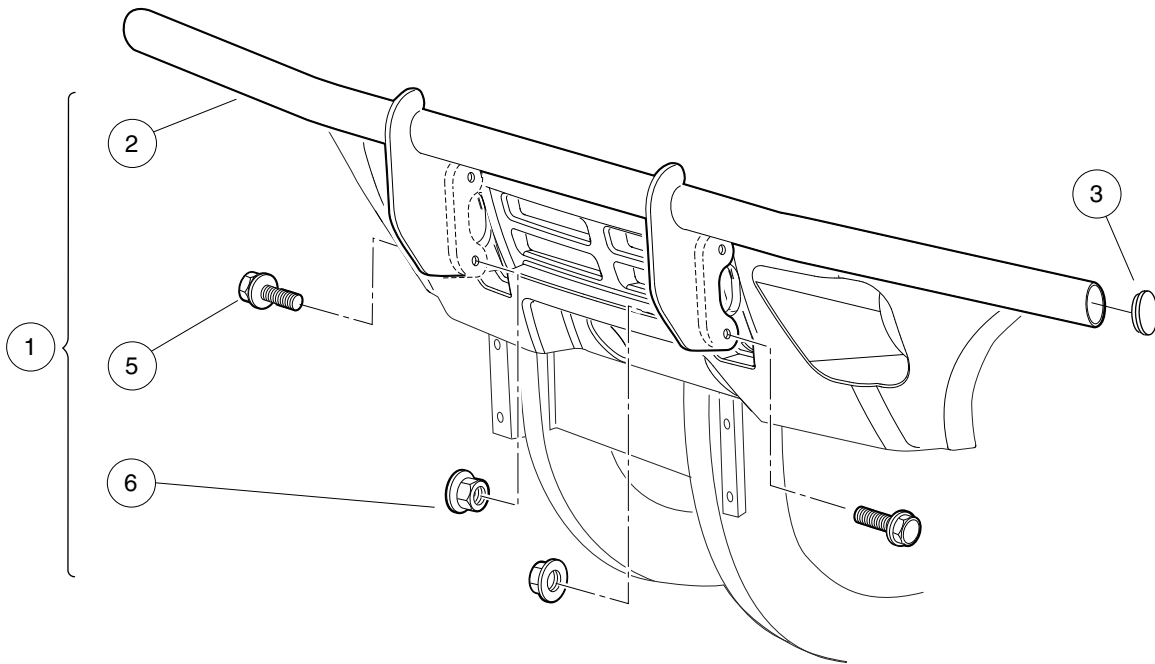
G

D

1

G

D



000526-001

BRUSH GUARD

ITEM	PART NO.	DESCRIPTION	QTY
		1 2 3 4	
1	103236001	Kit, Tube Bumper CCI (includes items 2 through 5)	1
2	N/A	Weldment, Frt Bumper, Restyle	1
3	103215401	Plug, Tube, Round, 1-3/4"	2
4	103231701	Screw, M10 X 1.25 X 30 Hex Blk	4
5	103231801	Nut, Flg, M10 X 1.25 Hex Blk	4
		Note: Brushguard is standard on XRT vehicles and is optional on Carryall vehicles.	

1

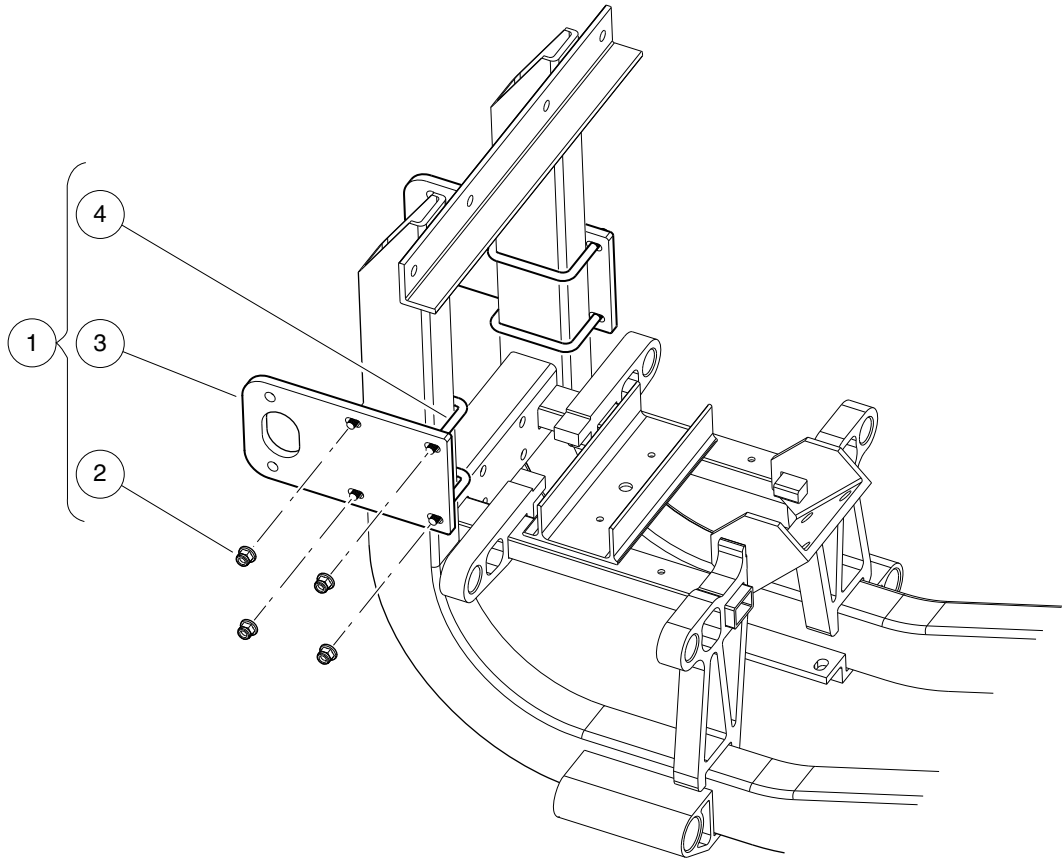
G

D

1

G

D



001068-001

TOW HOOK PLATES

ITEM	PART NO.	DESCRIPTION	QTY
		1 2 3 4	
1	103947102	Kit, Tow Hook (includes items 2 through 4)	1
2	102618601	Lock Nut, Flange, M8 X 1.25 Nylon	8
3	103892501	Plate, Tow Hook	2
4	103892601	Bolt, U, Sq. Bend, M8-1.25	4

1

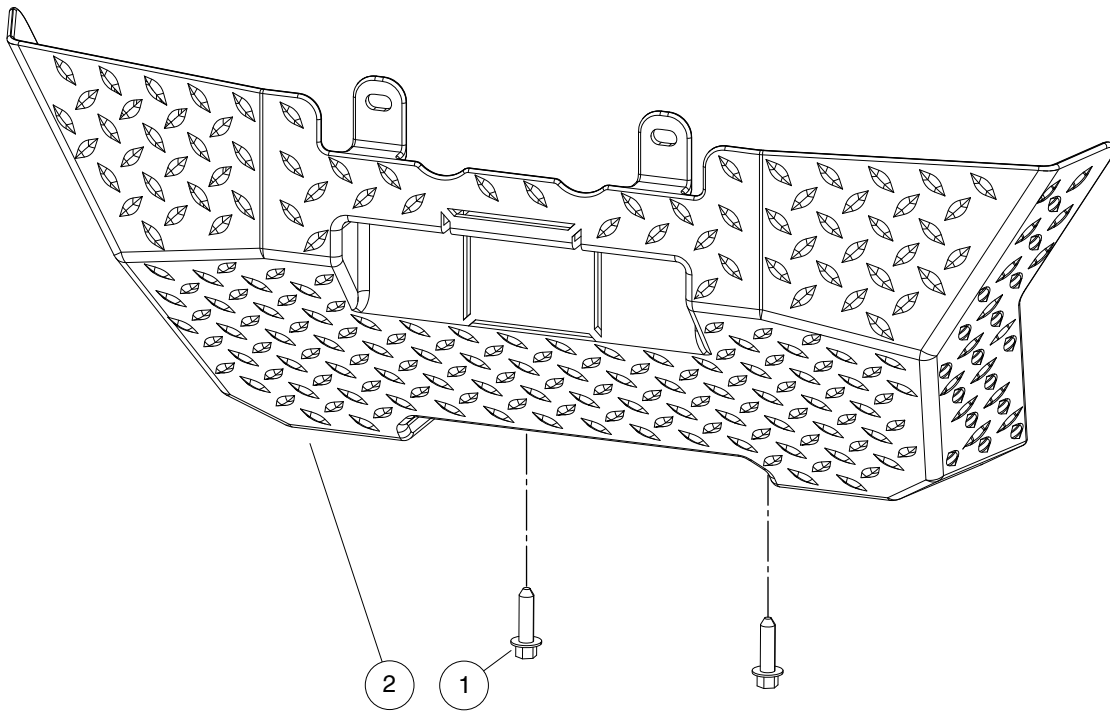
G

D

1

G

D



000537-003

PLASTIC SKID PLATE

ITEM	PART NO.	DESCRIPTION	QTY
1	102289001	1 2 3 4 Screw, M8X1.25X30, Hex	2
2	102882301	Plate, Skid, Std	1

1

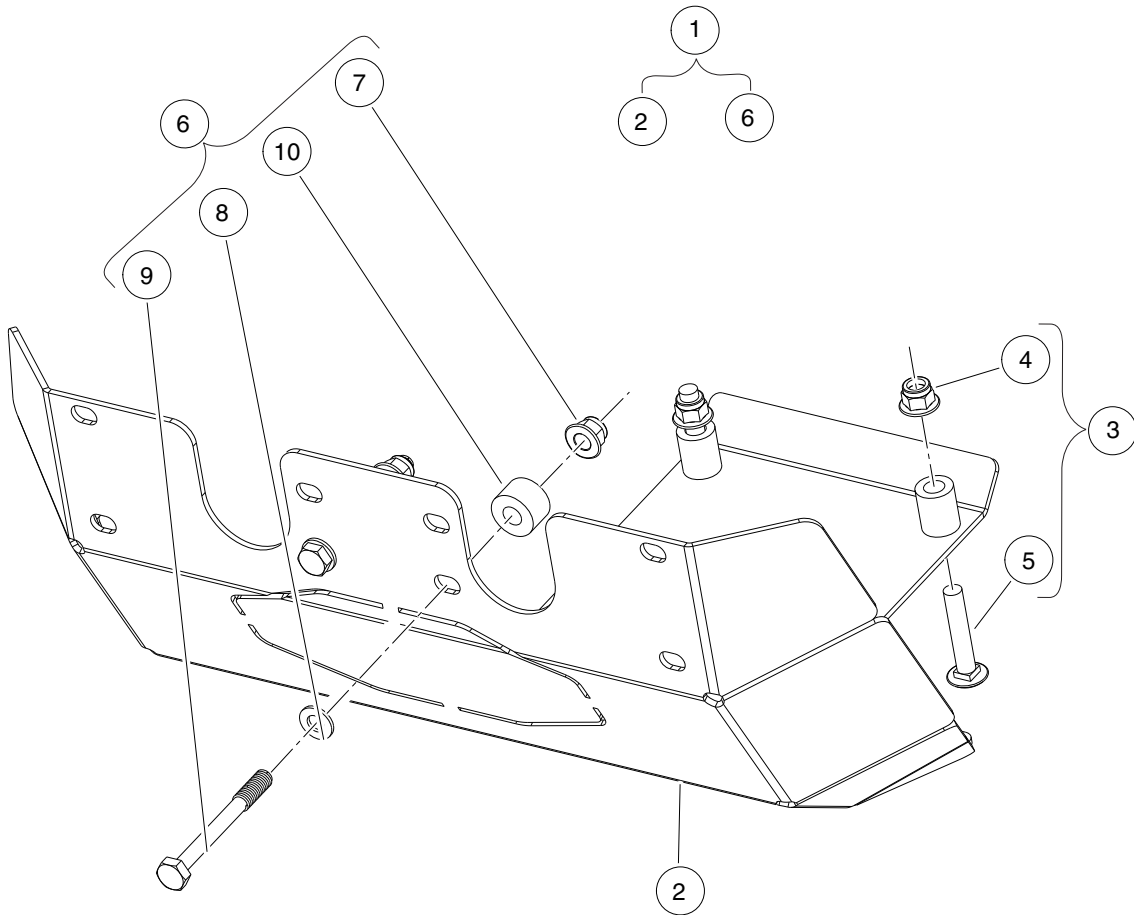
G

D

1

G

D



000537-004

STEEL SKID PLATE

ITEM	PART NO.	DESCRIPTION	QTY
		1 2 3 4	
1	AM1211003	Kit, Skidplate, Front, Steel (includes items 2 through 6)	1
2	AM1210002	Skid Plate, Front, Steel	1
3	AM1215701	Kit, Hardware, Skidplate, Front, A (includes items 4 and 5)	1
4	102670701	Nut, Flange, M10 X 1.5 Nylon	2
5	AM1210801	Bolt, Carriage, M10x1.5x55	2
6	AM1215801	Kit, Hardware, Skidplate, Front, B (includes items 7 through 10)	1
7	102670701	Nut, Flange, M10 X 1.5 Nylon	2
8	102718101	Washer, Hard, M10, Zn-Ni/Blk	2
9	102719301	Bolt, M10 X 1.50 X 90, Loctite	2
10	AM1211401	Spacer, 17mm Long, Skidplate	2

1

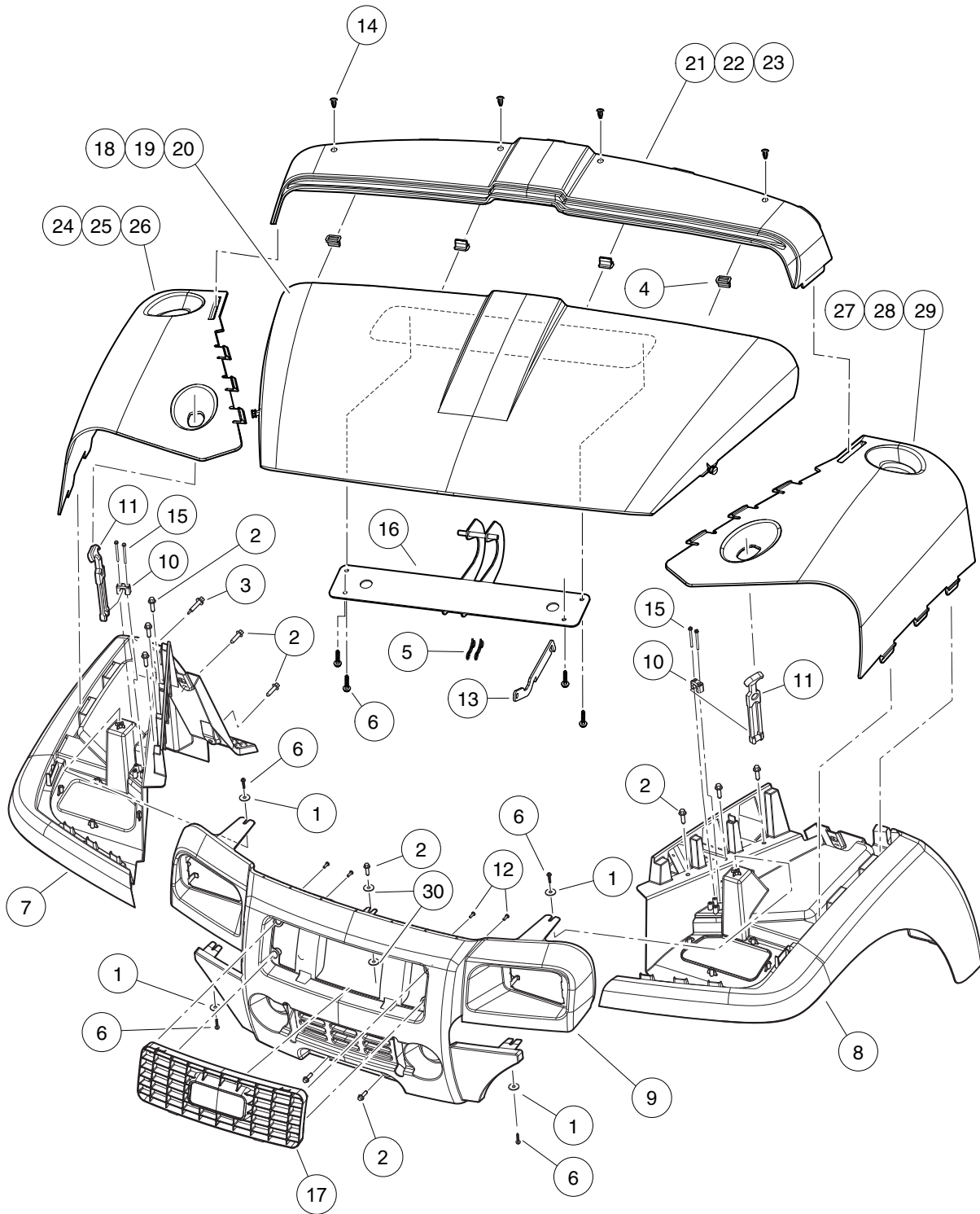
G

D

1

G

D



000507-006

FASCIA, FENDERS, AND COWLS (MOLDED IN COLOR) – CARRYALL

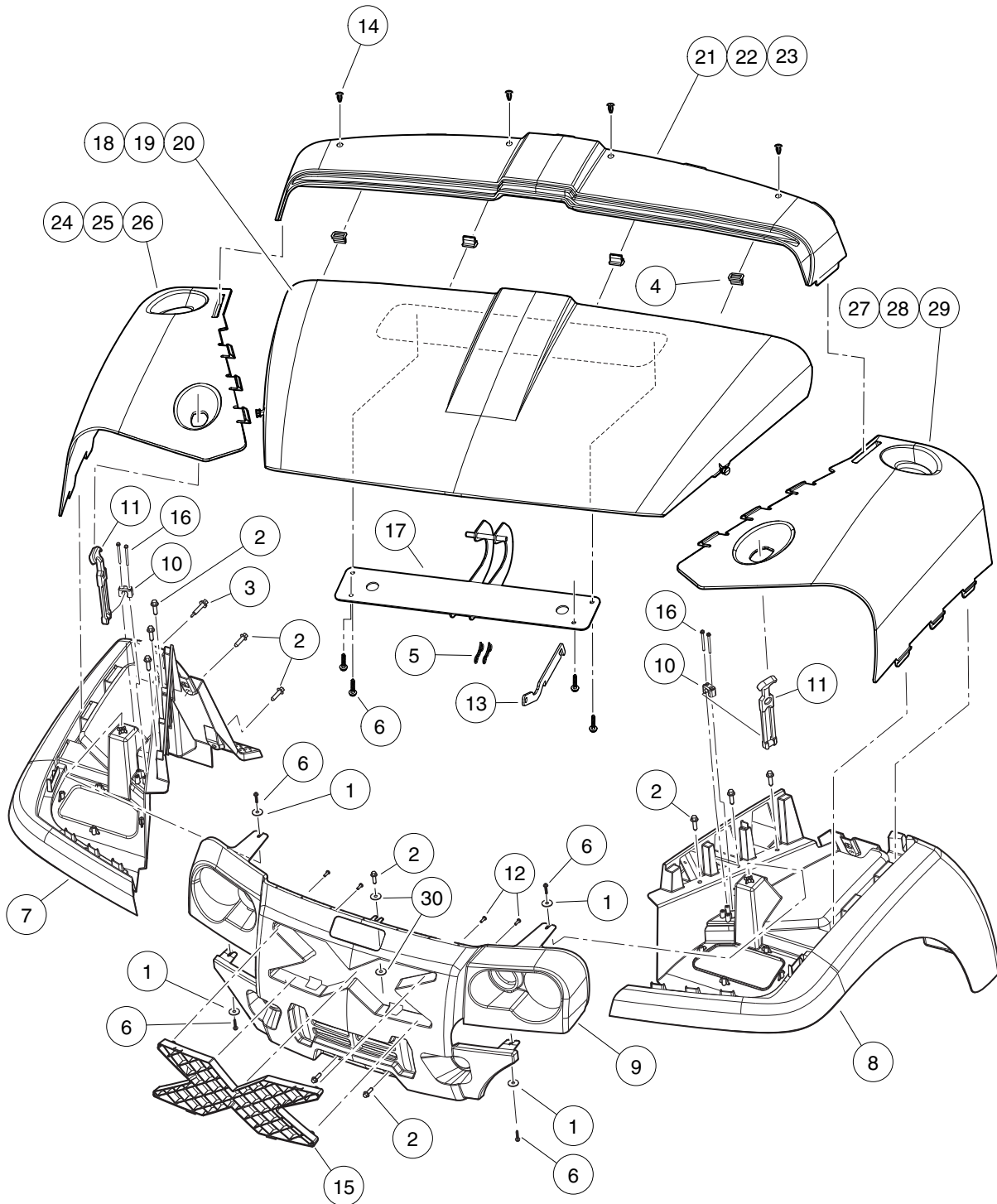
ITEM	PART NO.	DESCRIPTION	QTY
		1 2 3 4	
1	1011578	Washer, 5/16 Type B Flat	4
2	102289001	Screw, M8X1.25X30, Hex	13
3	102292356	Screw-1/4-20x56 Hwh Self Drill	2
4	102292701	Clip-body-trim	4
5	102292801	Pin, Bow Tie Locking - .072	2
6	102297230	Screw, M6, Torx, Interlock Thread	8
7	102866901	Fender, Front, Pass, AWD	1
8	102867001	Fender, Front, Drv, AWD	1
9	102867501	Fascia, Front, CA, AWD	1
10	102882401	Bracket, Latch, Draw	2
11	102895101	Latch, Draw, Hood	2
12	102895401	Screw, D50x16, Torx PN Hd PT	4
13	102896501	Prop, Hood	1
14	102967901	Rivet, Removable, Tuflok 1/4"	4
15	103218107	Screw, #8x2.00 AB Thd, Hex Hd	4
16	103588001	Asm, Hood Hinge	1
17	103760601	Grill, Carryall	1
18	103959210	Hood, Dark Green	1
19	103959214	Hood, Dark Gray	1
20	103959218	Hood, Real Tree Camo	1
21	103959310	Panel, Cowl, Center, Dark Green	1
22	103959314	Panel, Cowl, Center, Dark Gray	1
23	103959318	Panel, Cowl, Center, Real Tree Camo	1
24	103959410	Panel, Cowl, Passenger-Side, Dark Green	1
25	103959414	Panel, Cowl, Passenger-Side, Dark Gray	1
26	103959418	Panel, Cowl, Passenger-Side, Real Tree Camo	1
27	103959510	Panel, Cowl, Driver-Side, Dark Green	1
28	103959514	Panel, Cowl, Driver-Side, Dark Gray	1
29	103959518	Panel, Cowl, Driver-Side, Real Tree Camo	1
30	808	Washer, 3/8 Type B Flat	2
		Note: These color body panels are molded in color except for black and camo.	

1
G
D

1

G

D



000522-004

FASCIA, FENDERS, AND COWLS (MOLDED IN COLOR) – XRT

ITEM	PART NO.	DESCRIPTION	QTY
		1 2 3 4	
1	1011578	Washer, 5/16 Type B Flat	4
2	102289001	Screw, M8X1.25X30, Hex	13
3	102292356	Screw-1/4-20x56 Hwh Self Drill	2
4	102292701	Clip-body-trim	4
5	102292801	Pin, Bow Tie Locking - .072	2
6	102297230	Screw, M6, Torx, Interlock Thread	8
7	102866901	Fender, Front, Pass, AWD	1
8	102867001	Fender, Front, Drv, AWD	1
9	102867401	Fascia, Front, XRT, AWD	1
10	102882401	Bracket, Latch, Draw	2
11	102895101	Latch, Draw, Hood	2
12	102895401	Screw, D50x16, Torx PN Hd PT	4
13	102896501	Prop, Hood	1
14	102967901	Rivet, Removable, Tuflok 1/4"	4
15	102979301	Grill, XRT	1
16	103218107	Screw, #8x2.00 AB Thd, Hex Hd	4
17	103588001	Asm, Hood Hinge	1
18	103959210	Hood, Dark Green	1
19	103959218	Hood, Real Tree Camo	1
20	103959230	Hood, Awd Red	1
21	103959310	Panel, Cowl, Center, Dark Green	1
22	103959318	Panel, Cowl, Center, Real Tree Camo	1
23	103959330	Panel, Cowl, Center, Awd Red	1
24	103959410	Panel, Cowl, Passenger-Side, Dark Green	1
25	103959418	Panel, Cowl, Passenger-Side, Real Tree Camo	1
26	103959430	Panel, Cowl, Passenger-Side, Awd Red	1
27	103959510	Panel, Cowl, Driver-Side, Dark Green	1
28	103959518	Panel, Cowl, Driver-Side, Real Tree Camo	1
29	103959530	Panel, Cowl, Driver-Side, Awd Red	1
30	808	Washer, 3/8 Type B Flat	2
		Note: These color body panels are molded in color except for black and camo.	

1

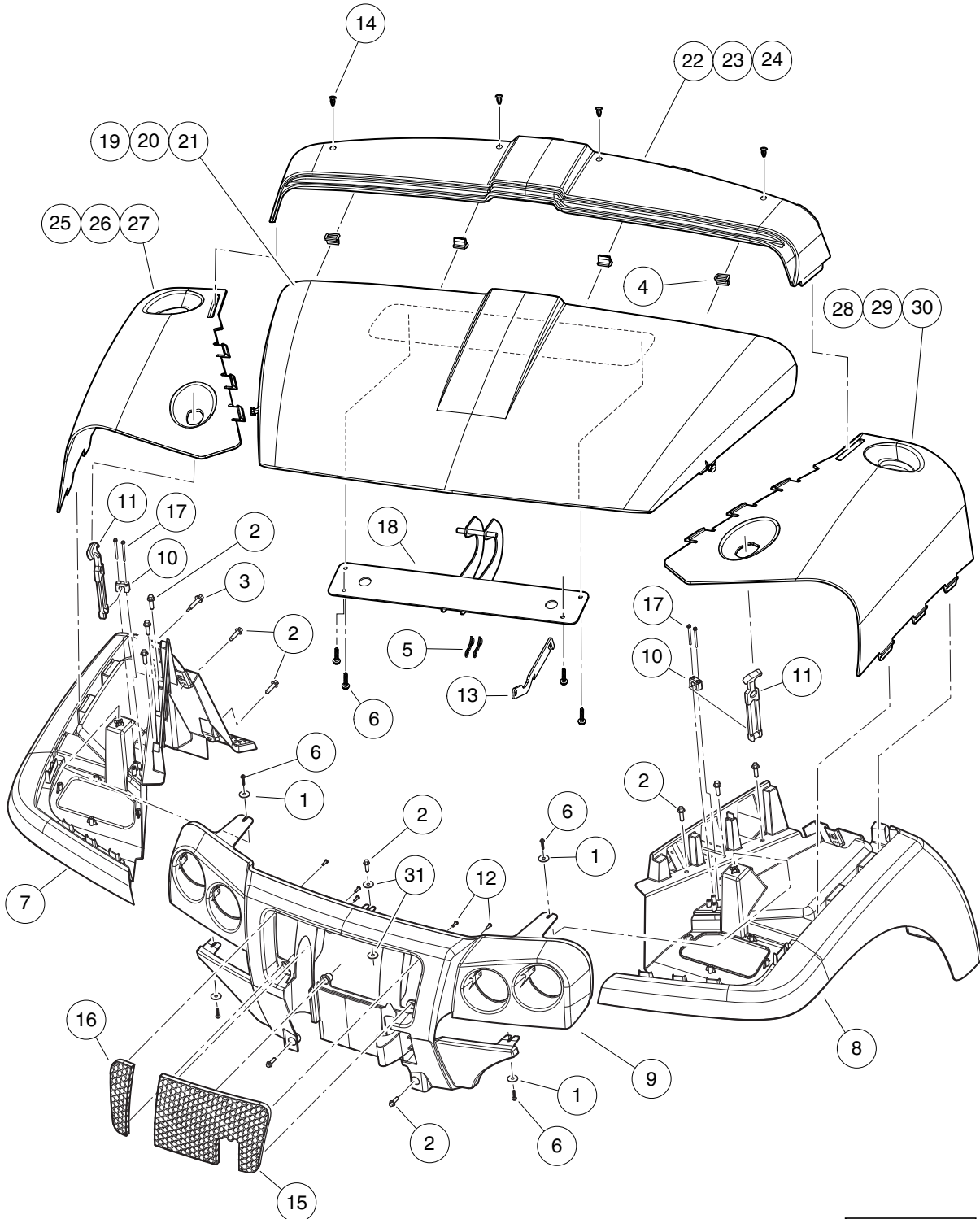
G

D

1

G

D



000559-006

FASCIA, FENDERS, AND COWL (MOLDED IN COLOR) – INTELLITACH

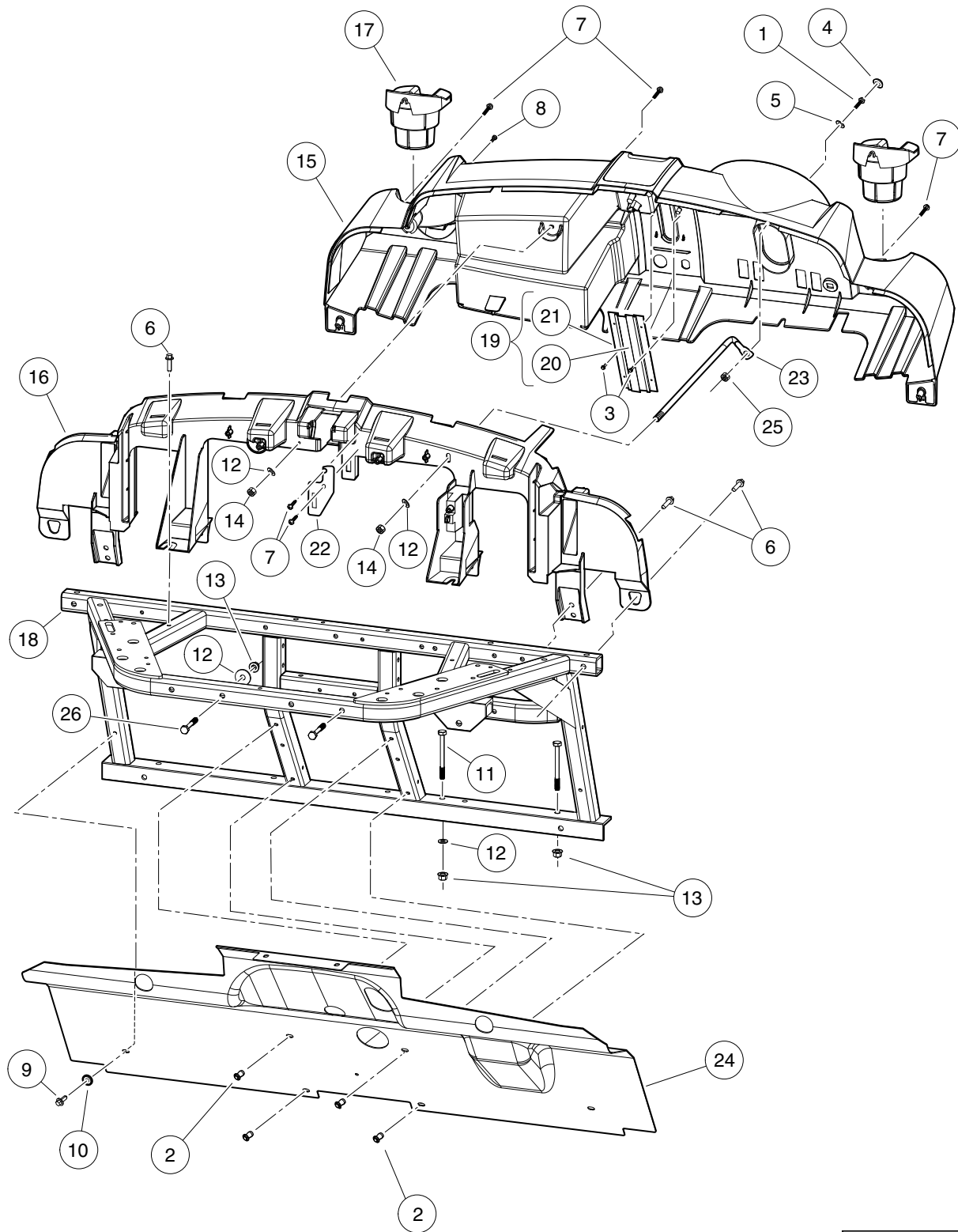
ITEM	PART NO.	DESCRIPTION	QTY
		1 2 3 4	
1	1011578	Washer, 5/16 Type B Flat	4
2	102289001	Screw, M8X1.25X30, Hex	13
3	102292356	Screw-1/4-20x56 Hwh Self Drill	2
4	102292701	Clip-body-trim	4
5	102292801	Pin, Bow Tie Locking - .072	2
6	102297230	Screw, M6, Torx, Interlock Thread	8
7	102866901	Fender, Front, Pass, AWD	1
8	102867001	Fender, Front, Drv, AWD	1
9	102867602	Fascia, Dual Round w/ Cut	1
10	102882401	Bracket, Latch, Draw	2
11	102895101	Latch, Draw, Hood	2
12	102895401	Screw, D50x16, Torx PN Hd PT	6
13	102896501	Prop, Hood	1
14	102967901	Rivet, Removable, Tuflok 1/4"	4
15	102978801	Grill, Hex Cut, DS	1
16	102978901	Grill, Hex, Cut, PS	1
17	103218107	Screw, #8x2.00 AB Thd, Hex Hd	4
18	103588001	Asm, Hood Hinge	1
19	103959210	Hood, Dark Green	1
20	103959214	Hood, Dark Gray	1
21	103959218	Hood, Real Tree Camo	1
22	103959310	Panel, Cowl, Center, Dark Green	1
23	103959314	Panel, Cowl, Center, Dark Gray	1
24	103959318	Panel, Cowl, Center, Real Tree Camo	1
25	103959410	Panel, Cowl, Passenger-Side, Dark Green	1
26	103959414	Panel, Cowl, Passenger-Side, Dark Gray	1
27	103959418	Panel, Cowl, Passenger-Side, Real Tree Camo	1
28	103959510	Panel, Cowl, Driver-Side, Dark Green	1
29	103959514	Panel, Cowl, Driver-Side, Dark Gray	1
30	103959518	Panel, Cowl, Driver-Side, Real Tree Camo	1
31	808	Washer, 3/8 Type B Flat	2
		Note: These color body panels are molded in color except for black and camo.	

1
G
D

1

G

D



000519-003

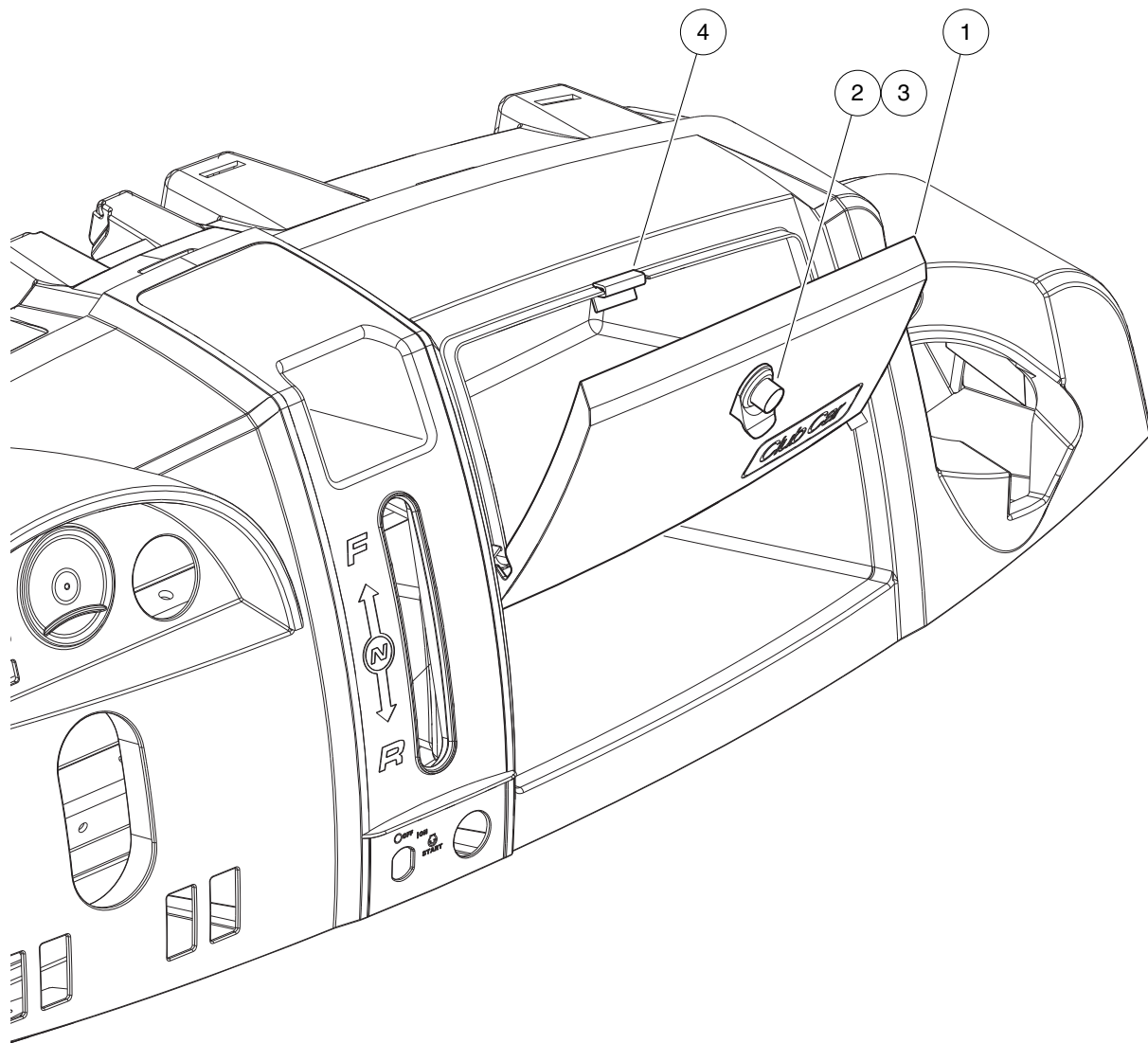
DASH AND SPLASH GUARD

ITEM	PART NO.	DESCRIPTION	QTY	
		1 2 3 4		1
1	1016916	Screw, 1/4-20 X 1.50 Hex-Head Cap	1	G
2	1016967	Blind Rivet, Push Type	4	
3	101804301	Screw, #8 X 0.500, Hex-Head Hi-Lo	2	
4	102045001	Cap, 1/4" Plastic Screw Head	1	D
5	102048401	Washer, 1/4 Id Scalloped Plast	1	
6	102289001	Screw, M8X1.25X30, Hex	6	
7	102297230	Screw, M6, Torx, Interlock Thread	5	
8	102298580	M8-1.25 X 80 Sems	1	
9	102298720	Screw, M8-1.25x20, Taptite	2	
10	102323501	Washer, Flat, 3/8, Blk Fin	2	
11	102491301	Bolt, M10x1.50x100 (Black)	4	
12	102491501	Washer, Hard, M10	10	
13	102617201	Nut, Flanged, M10 X 1.5, Mechanically Deformed	8	
14	102618601	Lock Nut, Flange, M8 X 1.25 Nylon	2	
15	102867101	Dash, Design A	1	
16	102867301	Support, Structural	1	
17	102883401	Cup Holder, Utility	2	
18	102935501	Weldment, Dash, Front	1	
19	103233001	Asm, Brush, Fnr (includes items 20 and 21)	2	
20	N/A	Brush, Strip, FNR	2	
21	N/A	Holder, Brush, Strip, FNR	2	
22	103253801	Bracket, Hood Support	1	
23	103268001	Rod, Connection, Dash	1	
24	103296001	Guard, Splash, Gas Injection	1	
25	8233	Locknut, 1/4-20, Nylon Insert	1	
26	96715552	Bolt, M10 X 1.50 X 65	4	

1

G

D



000789-001

GLOVE BOX

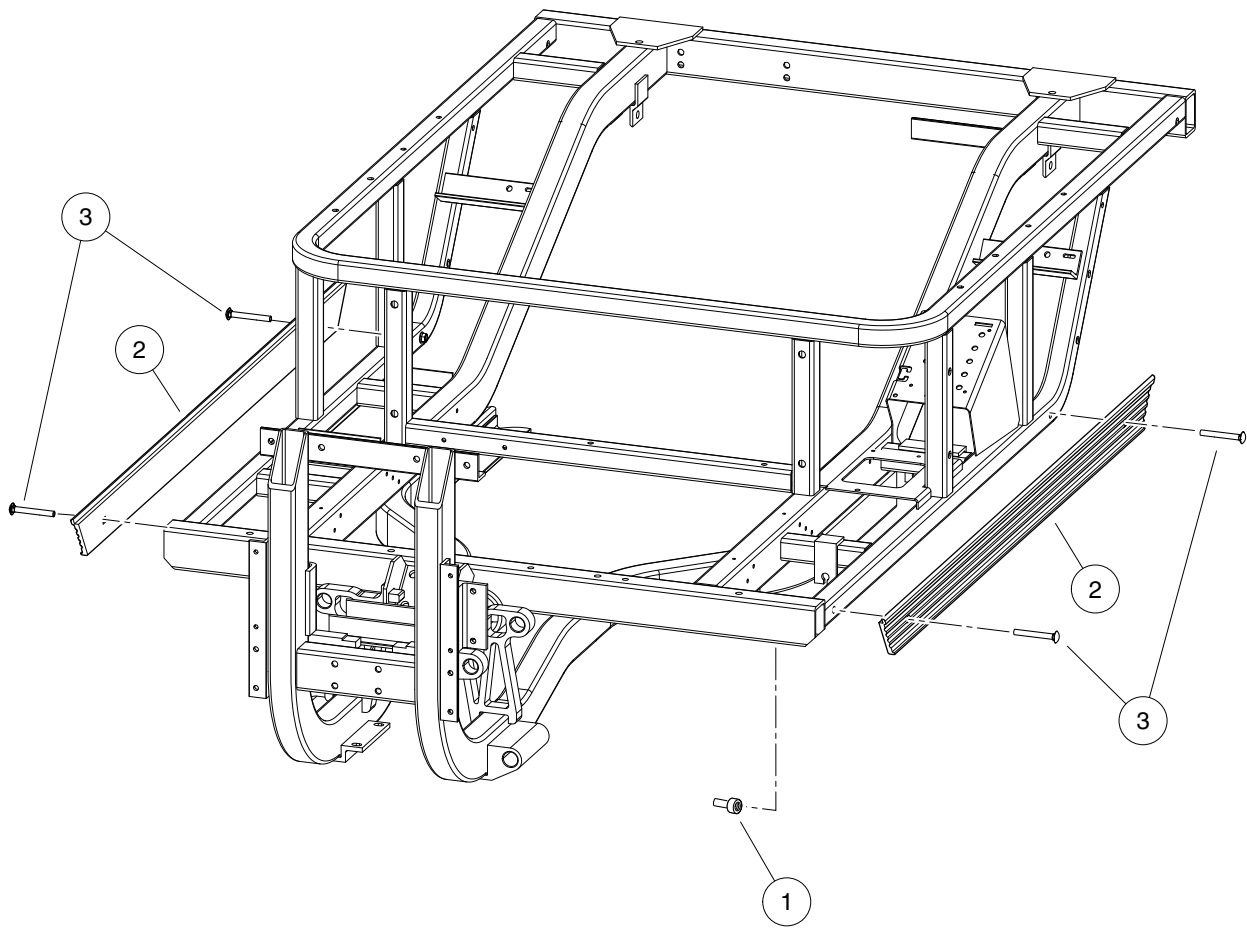
ITEM	PART NO.	DESCRIPTION	QTY
		1 2 3 4	
1	102867202	Cover, Storage, Dash, Blk, Cci	1
2	103182701	Latch, Push Close	1
3	103182702	Latch, Push Close W/ Key	1
4	103182801	Keeper, Latch, Push Close	1

1
G
D

1

G

D



000527-001

SIDE STRINGERS – 2 PASSENGER

ITEM	PART NO.	DESCRIPTION	QTY
1	102491701	Well Nut 1/4-20	8
2	103485501	Stringer, Side, 1200mm	2
3	103487501	Screw, 1/4-20 X 1.0, Black	8

1

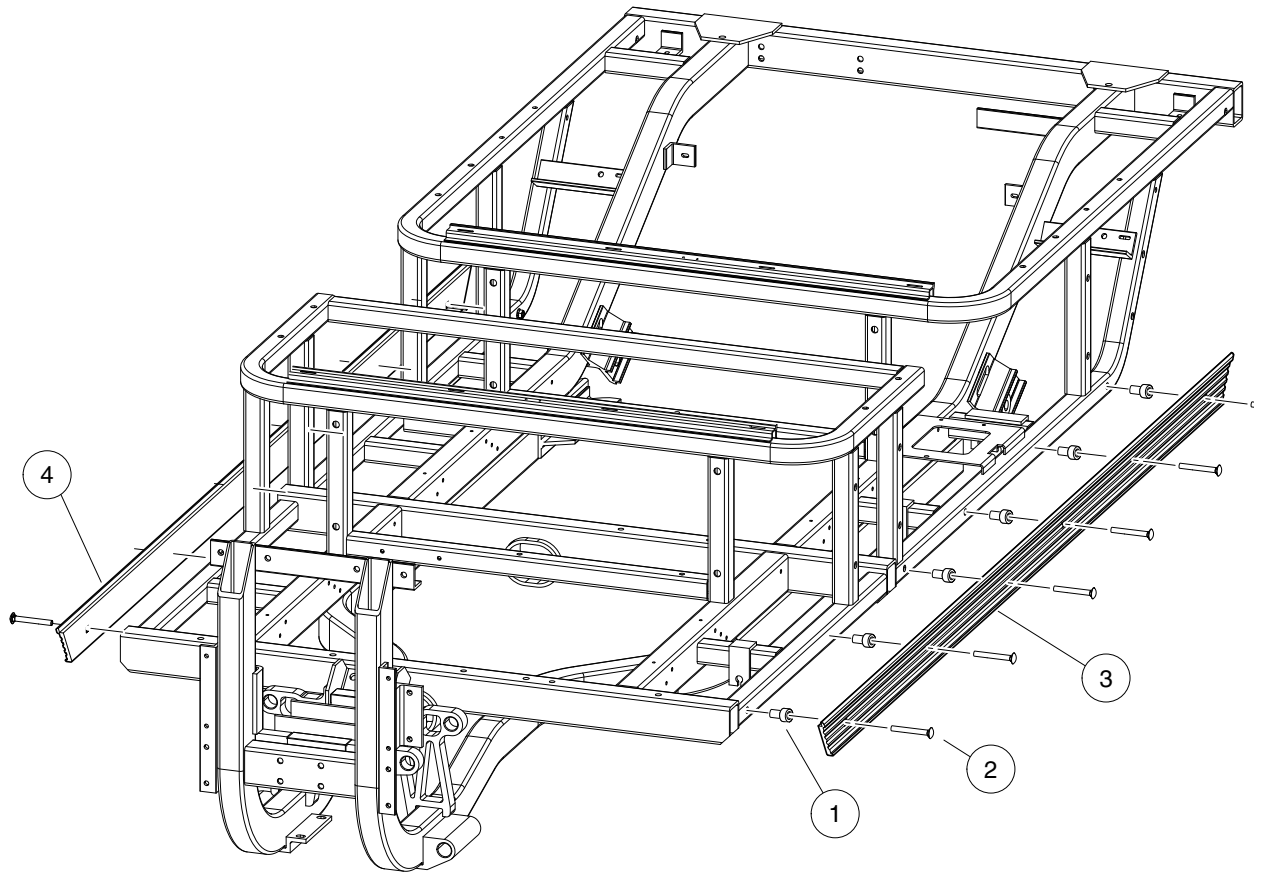
G

D

1

G

D



000527-003

SIDE STRINGERS – 4 PASSENGER

ITEM	PART NO.	DESCRIPTION	QTY
		1 2 3 4	
1	102491701	Well Nut 1/4-20	12
2	103487501	Screw, 1/4-20 X 1.0, Black	12
3	103488801	Stringer, Side, Awd, Se, Ds	1
4	103488802	Stringer, Side, Awd, Se, Ps	1

1

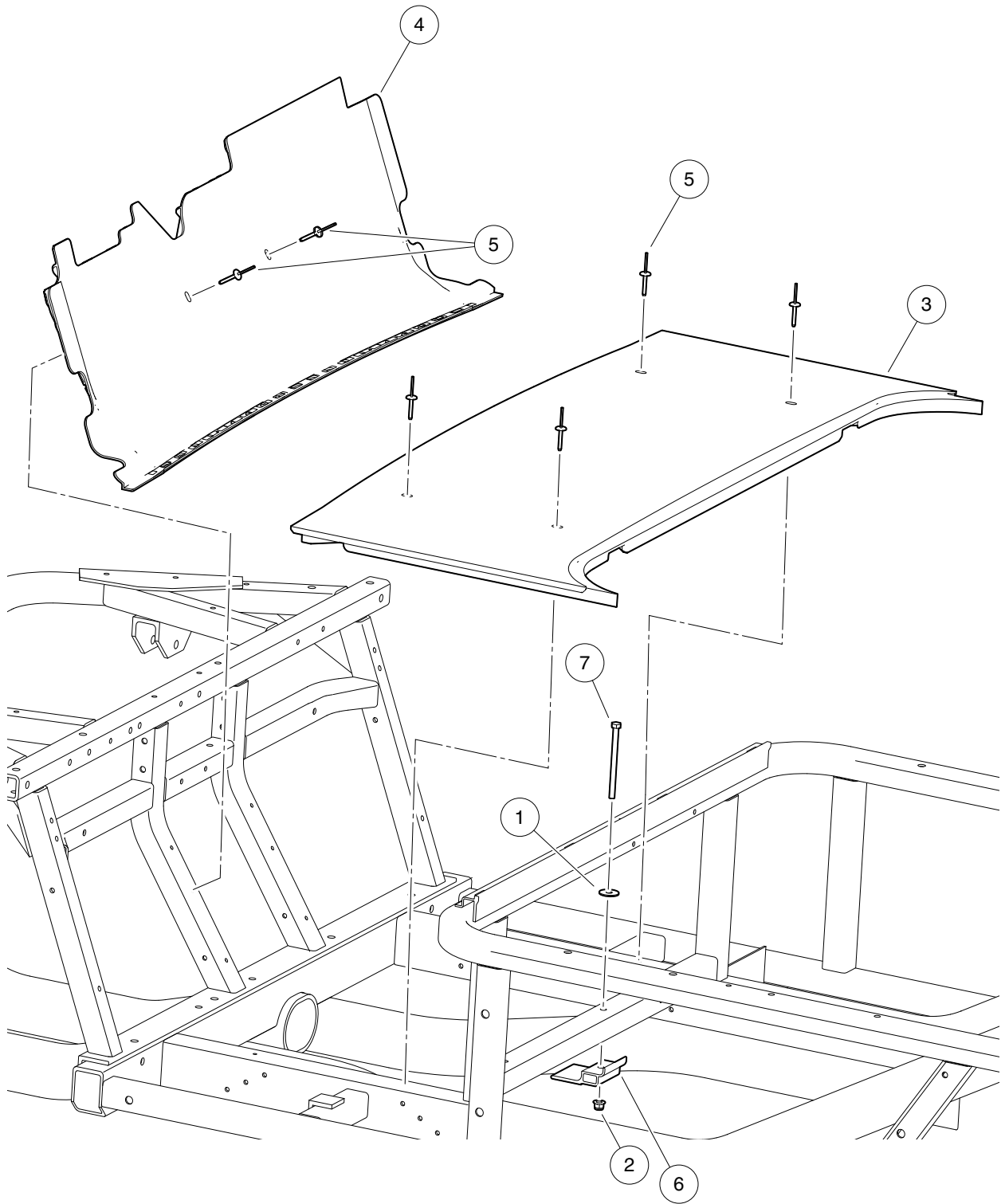
G

D

1

G

D



000790-003

FLOORBOARD

ITEM	PART NO.	DESCRIPTION	QTY
		1 2 3 4	
1	1011578	Washer, 5/16 Type B Flat	1
2	102618601	Lock Nut, Flange, M8 X 1.25 Nylon	1
3	103319601	Floorboard, Lower	1
4	103319701	Floorboard, Upper	1
5	103400001	3/16 X 1.19 Alum Rivet, Blk	6
6	103417401	Bracket, Support, Floorboard	1
7	103423701	Bolt, M8 X 1.25 X 110	1

1

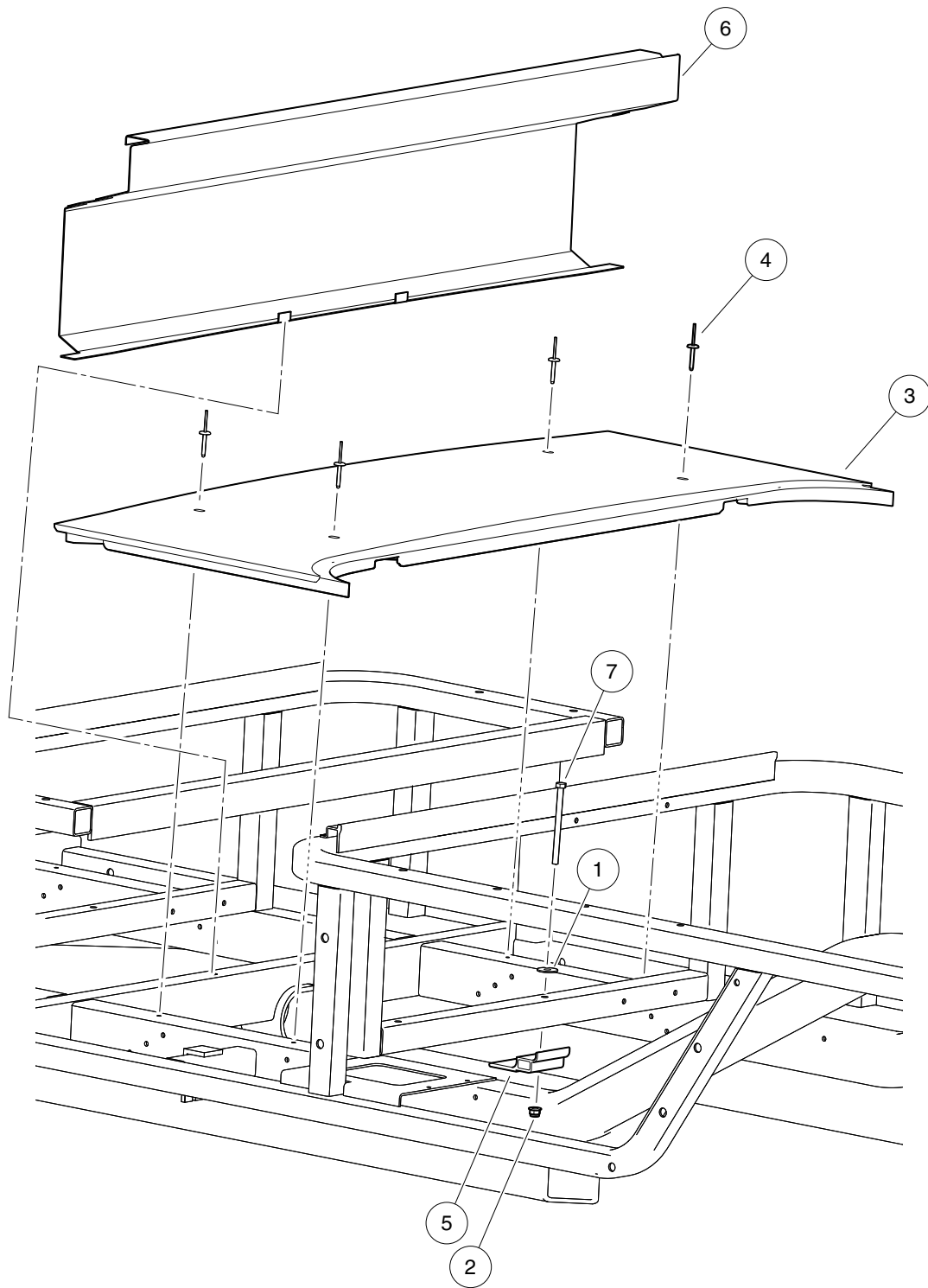
G

D

1

G

D



000790-004

FLOORBOARD – REAR

ITEM	PART NO.	DESCRIPTION	QTY
		1 2 3 4	
1	1011578	Washer, 5/16 Type B Flat	1
2	102618601	Lock Nut, Flange, M8 X 1.25 Nylon	1
3	103319601	Floorboard, Lower	1
4	103400001	3/16 X 1.19 Alum Rivet, Blk	4
5	103417401	Bracket, Support, Floorboard	1
6	103418001	Plate, Footwell, Rear	1
7	103423701	Bolt, M8 X 1.25 X 110	1

1

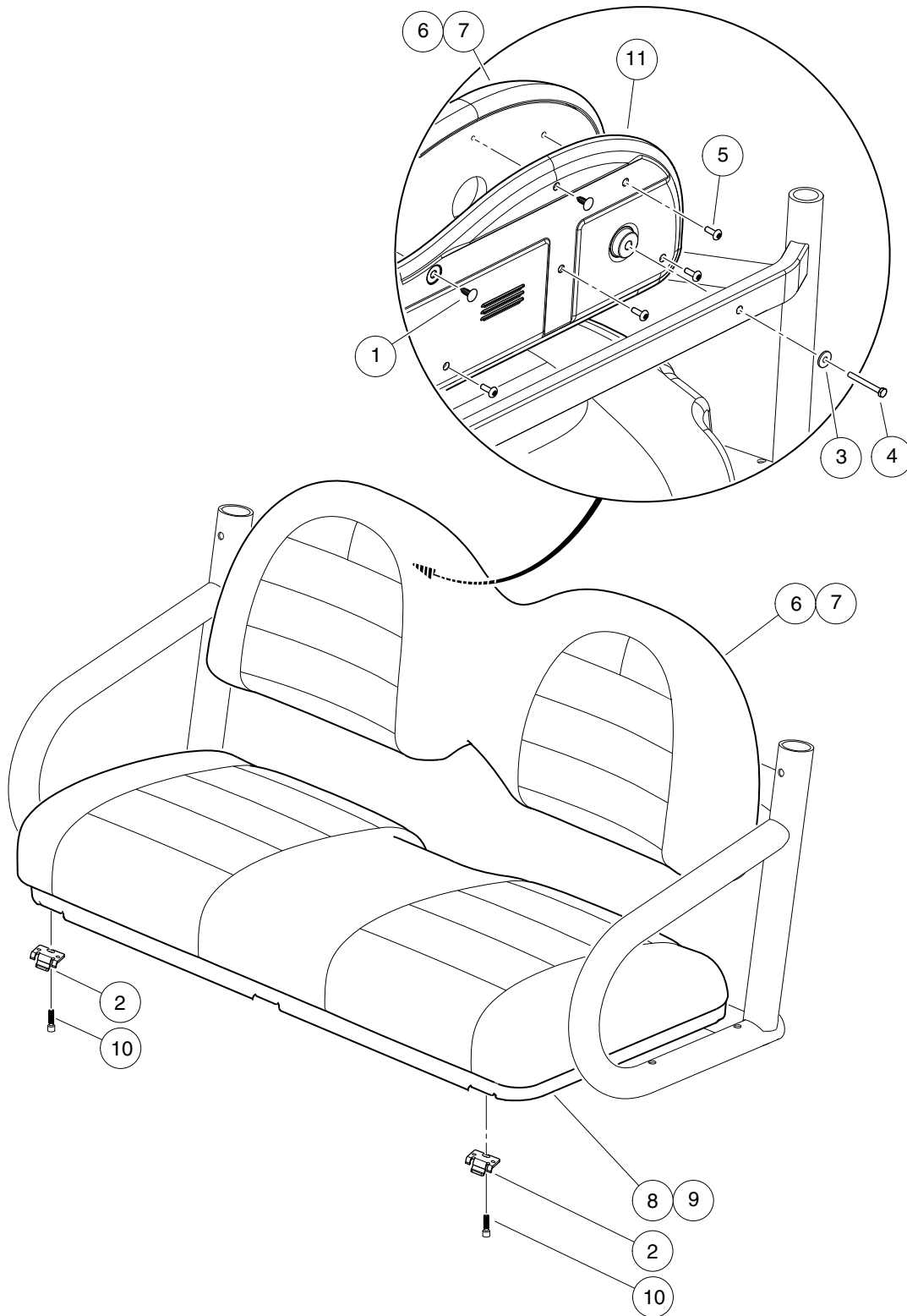
G

D

1

G

D



000523-005

BENCH SEAT

ITEM	PART NO.	DESCRIPTION	QTY
		1 2 3 4	
1	1010434	Barrel - Plastic	8
2	1011652	Hinge Plate	2
3	1011697	Washer, 5/16 Flat	3
4	1014201	Screw, 1/4-20 X 2.25 Hex Cap	3
5	1014415	Screw, 1/4-20 X 0.75 Torx Truss-Head	4
6	103456001	Seat Back, Bench, Gray	1
7	103456002	Seat Back, Bench, Black	1
8	103629101	Seat, Bench, Bottom, Blk	1
9	103629102	Seat, Bench, Bottom, Gray	1
10	103629501	Screw, 1/4-20 X .75 Shcs	4
11	103831101	Cap, Seatback, Vented	1

1

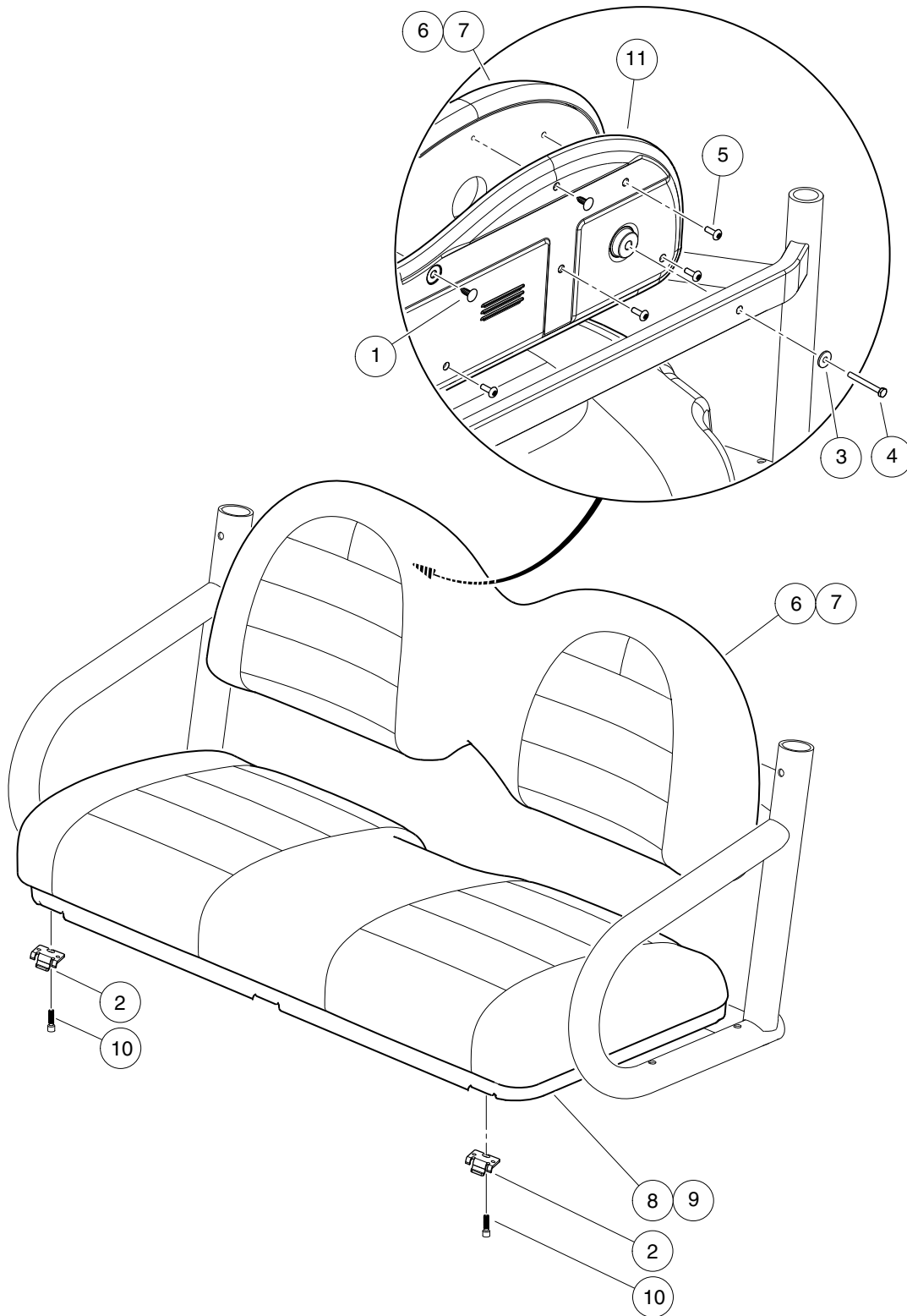
G

D

1

G

D



000523-005

BENCH SEAT, REAR – 4 PASS

ITEM	PART NO.	DESCRIPTION	QTY
		1 2 3 4	
1	1010434	Barrel - Plastic	8
2	1011652	Hinge Plate	2
3	1011697	Washer, 5/16 Flat	3
4	1014201	Screw, 1/4-20 X 2.25 Hex Cap	3
5	1014415	Screw, 1/4-20 X 0.75 Torx Truss-Head	4
6	103456001	Seat Back, Bench, Gray	1
7	103456002	Seat Back, Bench, Black	1
8	103629101	Seat, Bench, Bottom, Blk	1
9	103629102	Seat, Bench, Bottom, Gray	1
10	103629501	Screw, 1/4-20 X .75 Shcs	4
11	103831101	Cap, Seatback, Vented	1

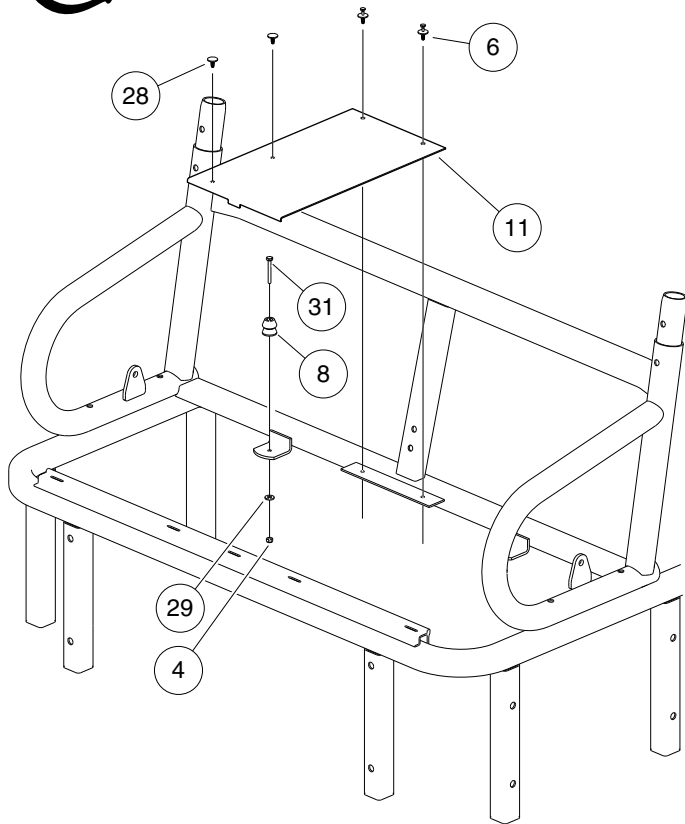
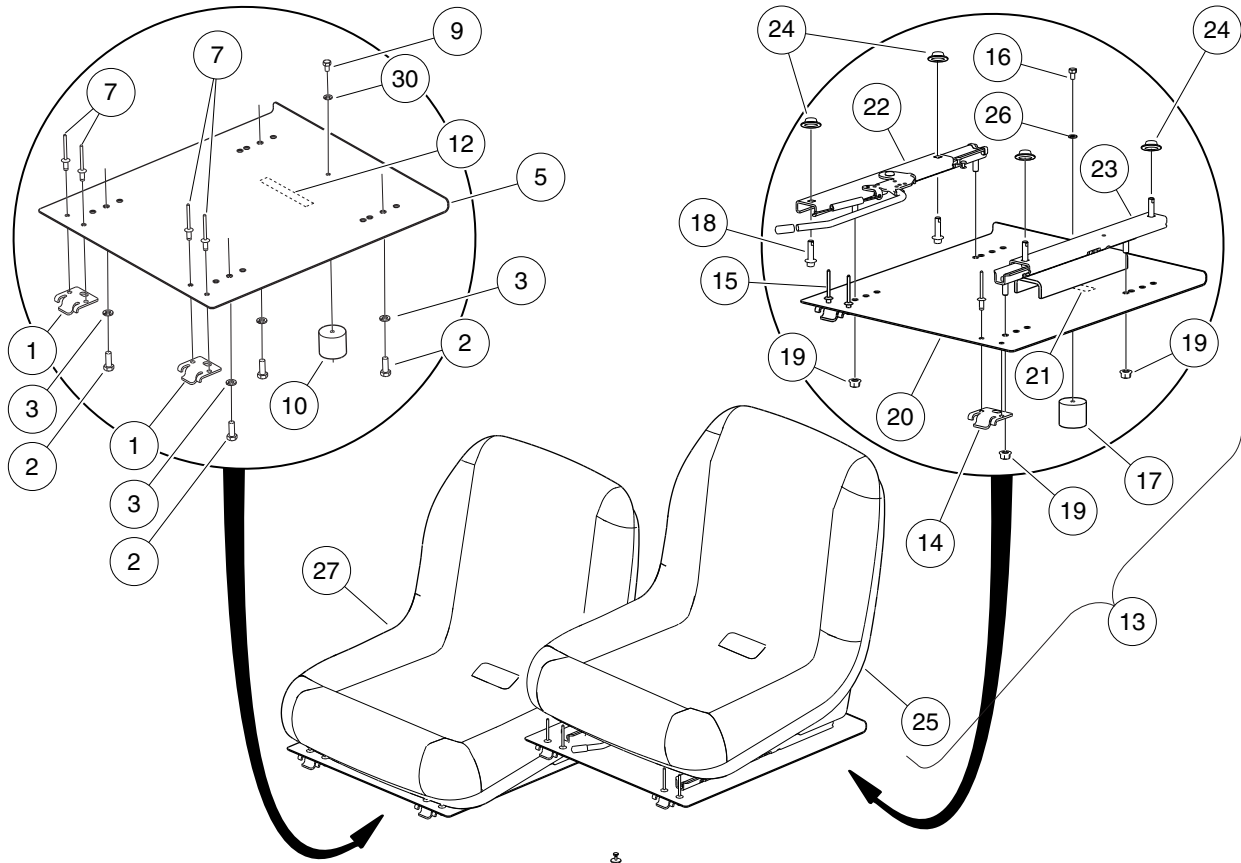
1

G

D

1
G

D



000524-011

BUCKET SEATS – GRAY

ITEM	PART NO.	DESCRIPTION	QTY
		1 2 3 4	
1	1011652	Hinge Plate	2
2	1012830	Screw, M8-125 X 22 Hex-Head	4
3	1013734	Lockwasher, 8mm Split	4
4	101887601	Locknut, M6-1.00 Nylon Insert	2
5	102023703	Pan, Seat, Passenger	1
6	102025701	Screw, Tuflok Panel, 1/4	2
7	102047001	Rivet, 1/4 X .438 Blind	4
8	102059001	Seat Holder Base	2
9	102059401	Screw, 6m-1.00 X 10mm Hex Head	1
10	102061101	Seat Holder Cup	1
11	102442002	Pan, Center, Closeout, Pfx	1
12	102458901	Decal, Hot Surface Warning	1
13	102473701	Asm, Bucket Seat Adjustable (includes items 14 through 26)	1
14	1011652	Hinge Plate	2
15	102047001	Rivet, 1/4 X .438 Blind	4
16	102059401	Screw, 6m-1.00 X 10mm Hex Head	1
17	102061101	Seat Holder Cup	1
18	102298130	Bolt, Flange Head, M8 X 30.0	4
19	102298401	Nut,m8,all Metal Lock	4
20	102456001	Pan, Seat, Driver Asm	1
21	102458901	Decal, Hot Surface Warning	1
22	102473501	Adjuster, Forward/Aft	1
23	102473601	Adjuster, Slider	1
24	102475901	Washer, Bell	4
25	103267001	Seat, Bucket, Gray	1
26	451	Lockwasher, 1/4 Split	1
27	103267001	Seat, Bucket, Gray	1
28	103978801	Barrel-push 6mm	2
29	332	Washer, 1/4 Type A Narrow Flat	2
30	451	Lockwasher, 1/4 Split	1
31	96742515	Bolt, M6 X 1 X 45	2

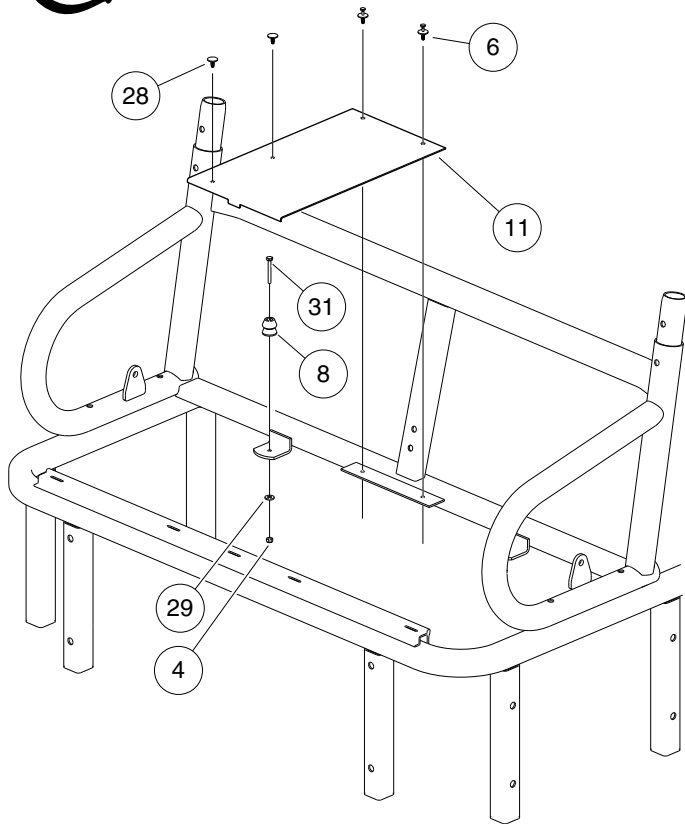
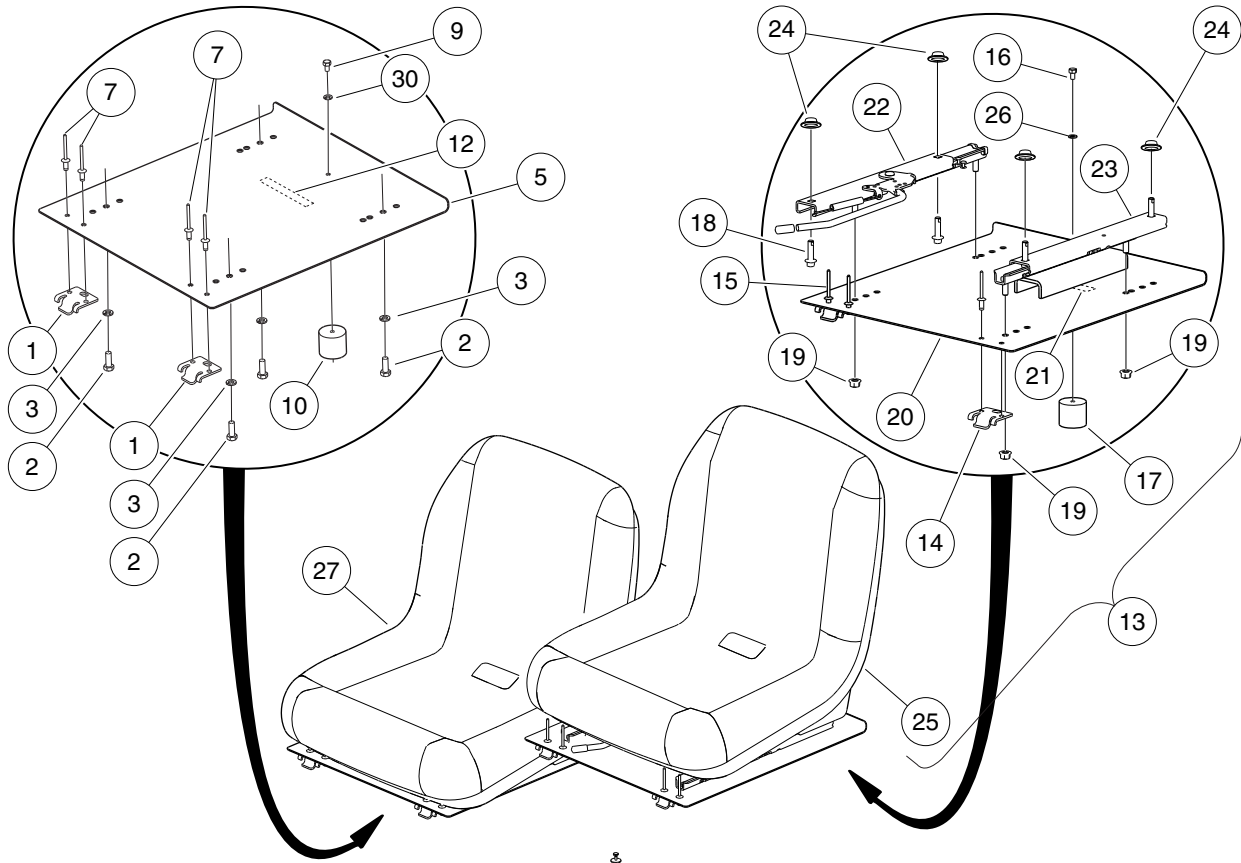
1

G

D

1
G

D



000524-011

BUCKET SEATS – BLACK

ITEM	PART NO.	DESCRIPTION	QTY
		1 2 3 4	
1	1011652	Hinge Plate	2
2	1012830	Screw, M8-125 X 22 Hex-Head	4
3	1013734	Lockwasher, 8mm Split	4
4	101887601	Locknut, M6-1.00 Nylon Insert	2
5	102023703	Pan, Seat, Passenger	1
6	102025701	Screw, Tuflok Panel, 1/4	2
7	102047001	Rivet, 1/4 X .438 Blind	4
8	102059001	Seat Holder Base	2
9	102059401	Screw, 6m-1.00 X 10mm Hex Head	1
10	102061101	Seat Holder Cup	1
11	102442002	Pan, Center, Closeout, Pfex	1
12	102458901	Decal, Hot Surface Warning	1
13	103218901	Asm, Bucket Seat, Adj, Blk (includes items 14 through 26)	1
14	1011652	Hinge Plate	2
15	102047001	Rivet, 1/4 X .438 Blind	4
16	102059401	Screw, 6m-1.00 X 10mm Hex Head	1
17	102061101	Seat Holder Cup	1
18	102298130	Bolt, Flange Head, M8 X 30.0	4
19	102298401	Nut,m8,all Metal Lock	4
20	102456001	Pan, Seat, Driver Asm	1
21	102458901	Decal, Hot Surface Warning	1
22	102473501	Adjuster, Forward/Aft	1
23	102473601	Adjuster, Slider	1
24	102475901	Washer, Bell	4
25	103267002	Seat, Bucket, Black	1
26	451	Lockwasher, 1/4 Split	1
27	103267002	Seat, Bucket, Black	1
28	103978801	Barrel-push 6mm	2
29	332	Washer, 1/4 Type A Narrow Flat	2
30	451	Lockwasher, 1/4 Split	1
31	96742515	Bolt, M6 X 1 X 45	2

1

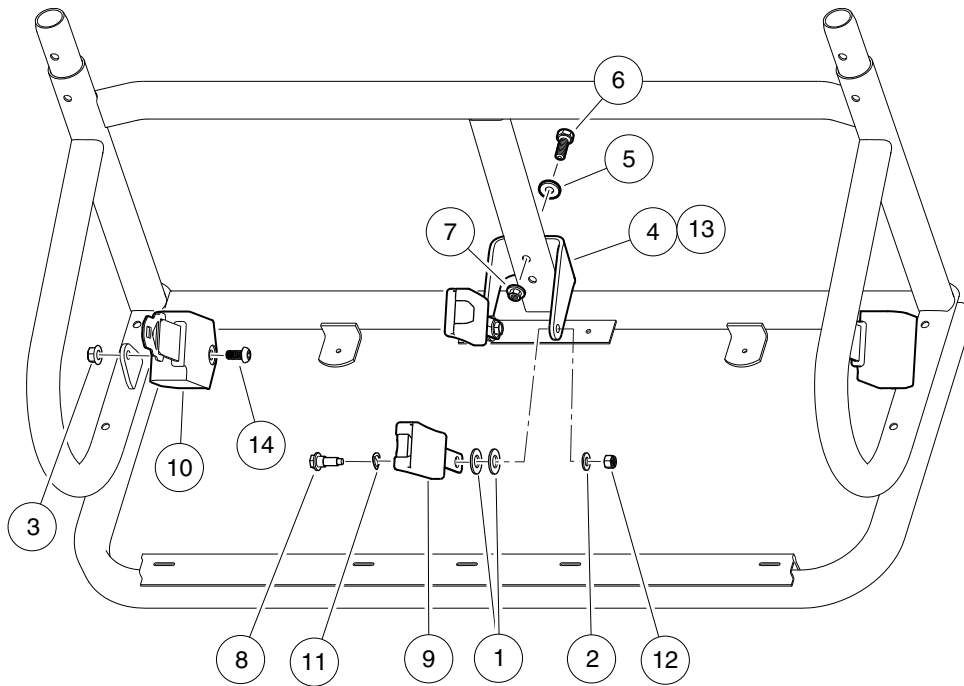
G

D

1

G

D



000029-007

2-POINT SEAT BELTS

ITEM	PART NO.	DESCRIPTION	QTY
		1 2 3 4	
1	1010193	Washer, 5/8 Type A Plain Flat	4
2	1014557	Washer, 7/16 Flat	2
3	102620301	Ln Flg, M12 X 1.75, Md, Black	2
4	102670601	Bracket, Seatbelt, Bolt-On (for Bucket Seats)	1
5	102718101	Washer, Hard, M10, Zn-Ni/Blk	2
6	102732401	Bolt, M10 X 45, Zn-Ni (Black)	2
7	103216401	Nut, Flanged, M10 x 1.5, Black	2
8	103529601	Bolt, Shoulder, 15 Mm	2
9	103529701	Asm, Buckle, Seat-belt	2
10	103529801	Retractor, Seat-belt	2
11	103530701	Washer, Spring, 15 Mm Id	2
12	103534201	Lock Nut, 7/16-20 Nylon	2
13	103635101	Bracket, Seatbelt, Style H, Bolt-On (for Bench Seat)	1
14	103806401	Bolt Btn, M12x1.75 X 25 Black	2
Note: Item 4 bracket is for bucket seats. Item 13 bracket is for bench seat.			

1

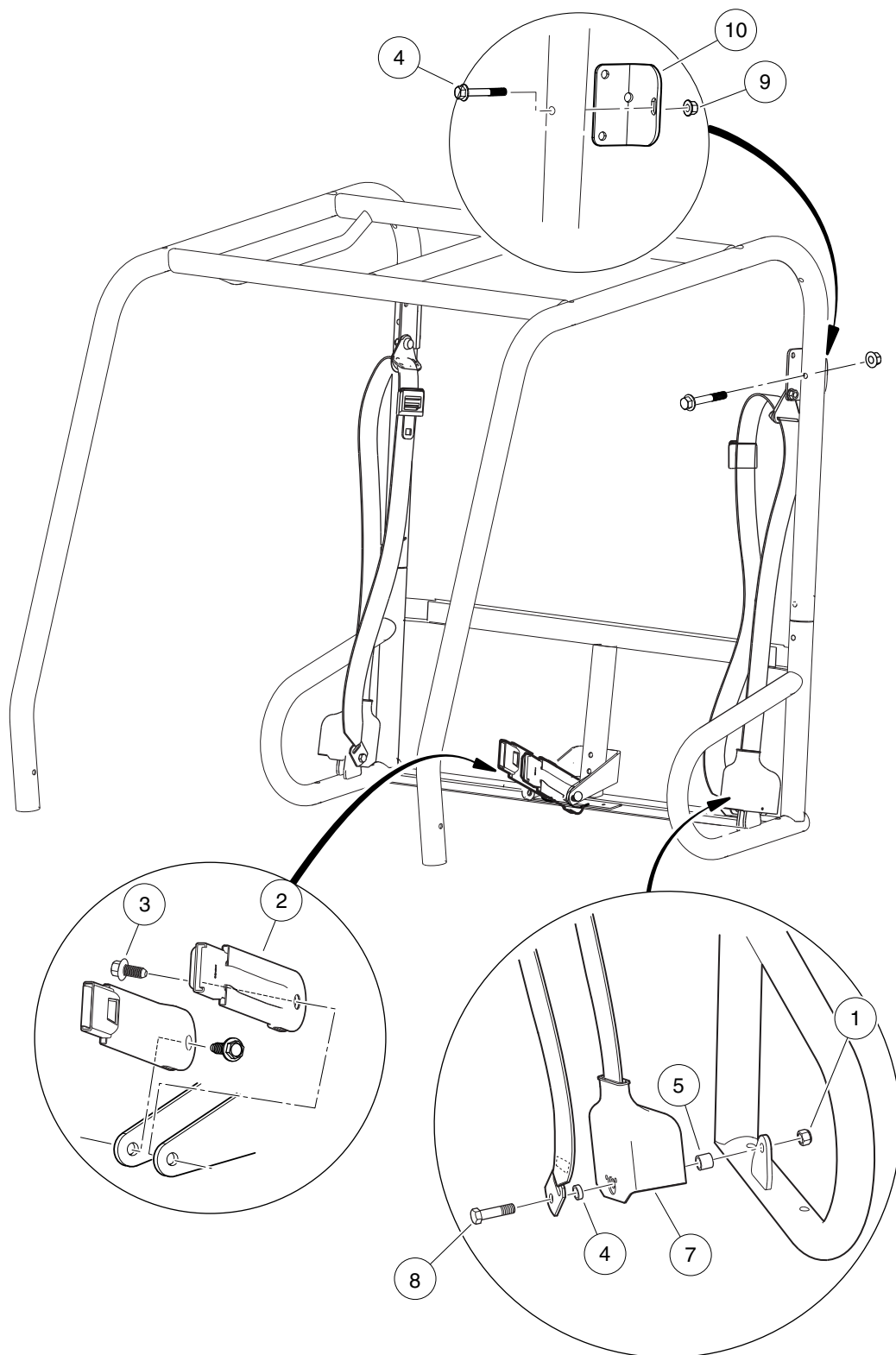
G

D

1

G

D



000560-002

3-POINT SEAT BELTS

ITEM	PART NO.	DESCRIPTION	QTY
		1 2 3 4	
1	102324401	Lock Nut, 7/16-20 Nylon Black	2
2	102447601	Buckle, Seat Belt with Sleeve	2
3	102671201	Screw,m12x1.75x30 Thd Form Blk	2
4	102988701	Bolt, Flanged, M10 X 1.5 X 65	2
5	103210801	Spacer, .69 Od X .5 Id X .60	2
6	103210802	Spacer, .69 Od X .5 Id X .20	2
7	103210901	Seat Belt, 3 Pt, Lock Tongue	2
8	103211101	Screw, 7/16-20 X 1.75	2
9	103216401	Nut, Flanged, M10 x 1.5, Black	2
10	103377501	Bracket, Support, Rear, ROPS	2

1

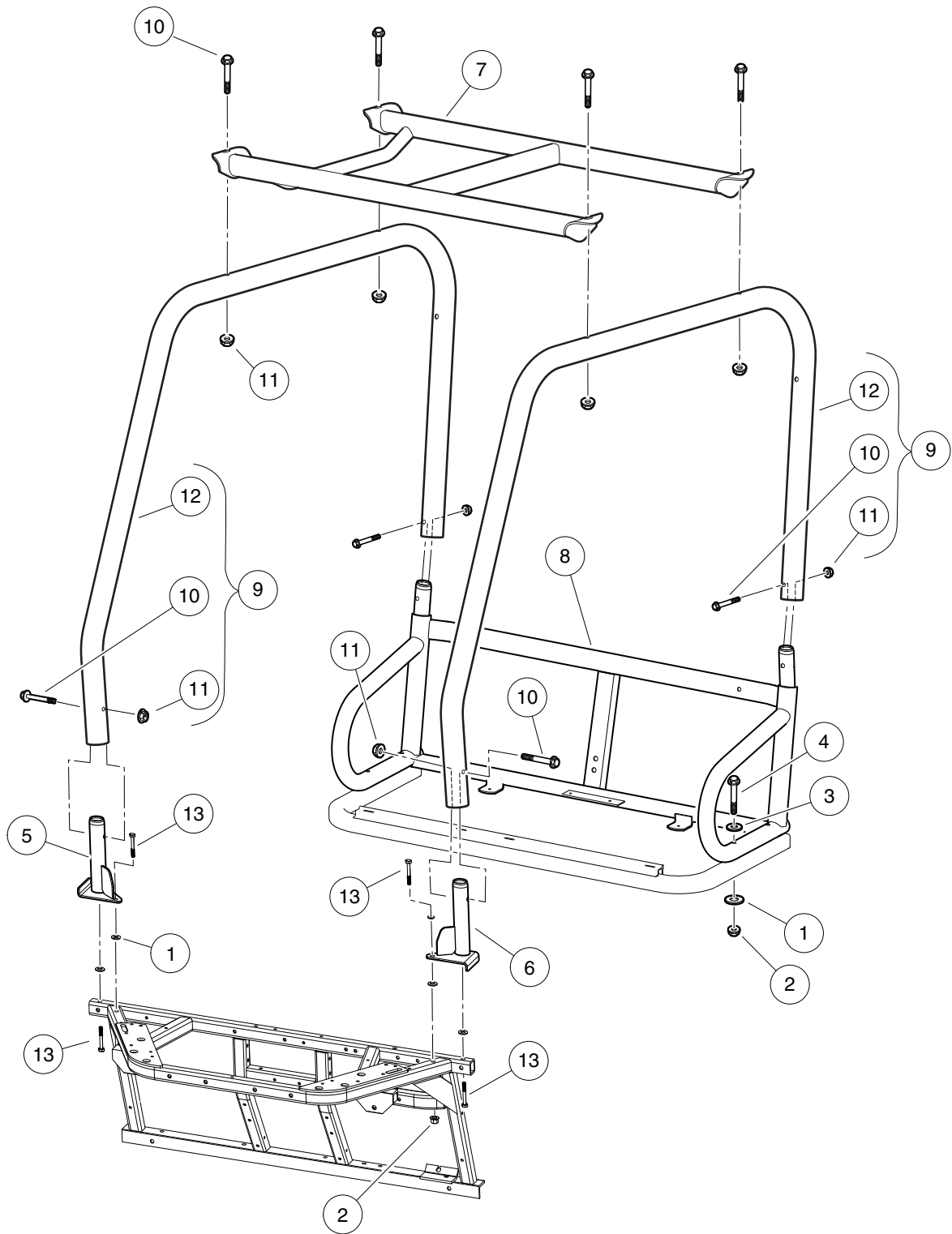
G

D

1

G

D



000029-008

ROPS AND SEAT SUPPORT

ITEM	PART NO.	DESCRIPTION	QTY
		1 2 3 4	
1	102491501	Washer, Hard, M10	8
2	102617201	Nut, Flanged, M10 X 1.5, Mechanically Deformed	4
3	102718101	Washer, Hard, M10, Zn-Ni/Blk	4
4	102732301	Bolt, M10 X 100, Zn-Ni (Black)	4
5	102983201	Weldment, Front, Base, ROPS, Right-Hand	1
6	102983601	Weldment, Front, Base, ROPS, Left-Hand	1
7	103225801	Asm, Top, ROPS	1
8	103361701	Weldment, Seat Support, ROPS	1
9	103511201	Kit, Side Rops, Awd, Domestic (includes items 10 through 12)	1
10	102988701	Bolt, Flanged, M10 X 1.5 X 65	8
11	103216401	Nut, Flanged, M10 x 1.5, Black	8
12	N/A	Tube, Rops, Side Support, Awd	2
13	96715552	Bolt, M10 X 1.50 X 65	4

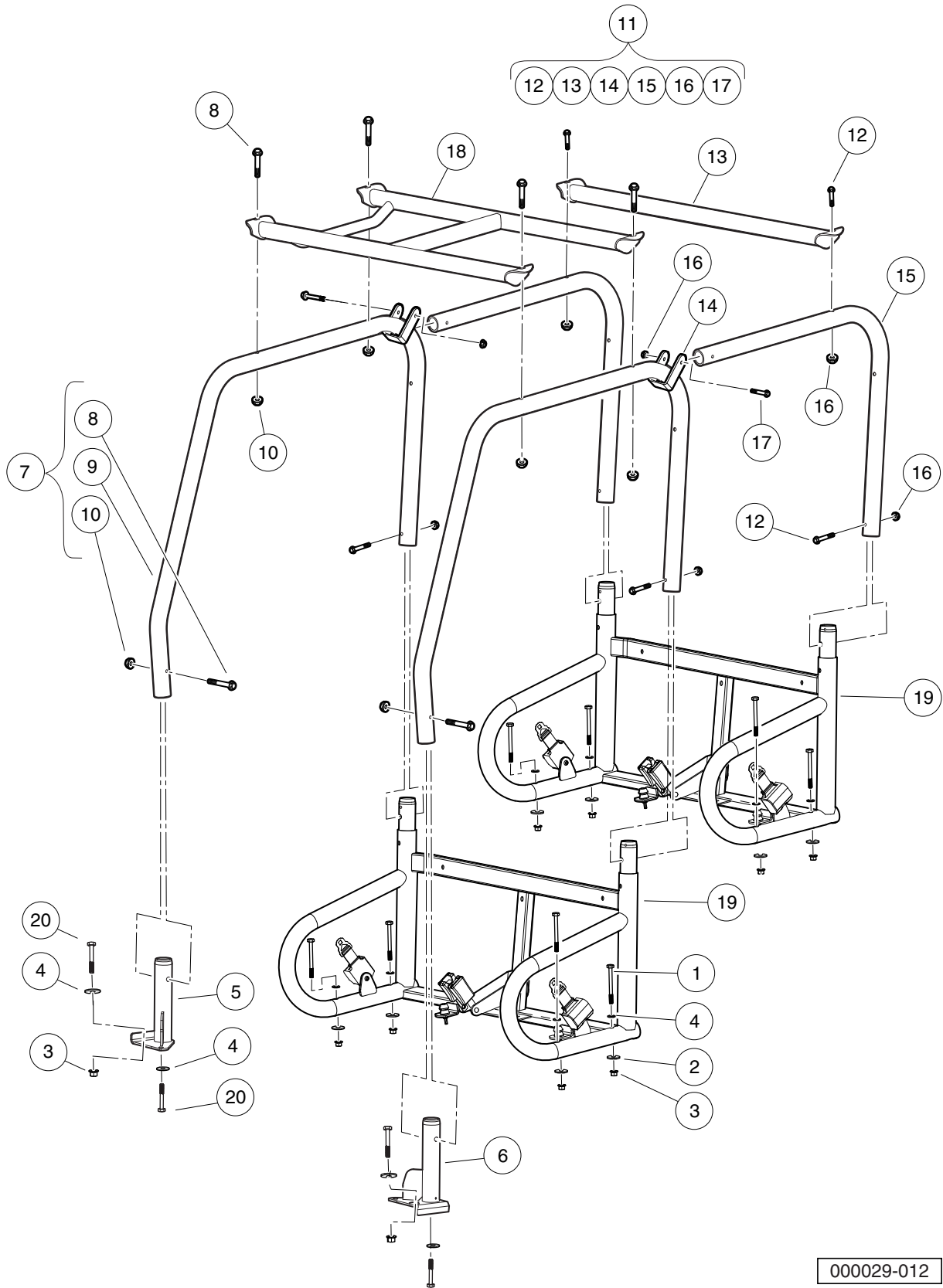
1

G

D

1
G

D



000029-012

ROPS – 4 PASS

ITEM	PART NO.	DESCRIPTION	QTY
		1 2 3 4	
1	102491301	Bolt, M10x1.50x100 (Black)	8
2	102491501	Washer, Hard, M10	10
3	102617201	Nut, Flanged, M10 X 1.5, Mechanically Deformed	10
4	102718101	Washer, Hard, M10, Zn-Ni/Blk	10
5	102983201	Weldment, Front, Base, ROPS, Right-Hand	1
6	102983601	Weldment, Front, Base, ROPS, Left-Hand	1
7	103215901	Kit, ROPS Sides, Domestic (includes items 8 through 10)	1
8	102988701	Bolt, Flanged, M10 X 1.5 X 65	8
9	103192101	Tube, Side Support Short, ROPS	2
10	103216401	Nut, Flanged, M10 x 1.5, Black	8
11	103216201	Kit, ROPS, Four Passenger (includes items 12 through 17)	1
12	102988701	Bolt, Flanged, M10 X 1.5 X 65	4
13	103214901	Weldment, ROPS, Top, 4 Pass	1
14	103215001	Bracket, ROPS, Rear, 4 Pass	2
15	103215101	Tube, Rear, 4 Pass	2
16	103216401	Nut, Flanged, M10 x 1.5, Black	6
17	103216801	Bolt, Flanged, M10 X 1.5 X 70	2
18	103225801	Asm, Top, ROPS	1
19	103361701	Weldment, Seat Support, ROPS	2
20	96715552	Bolt, M10 X 1.50 X 65	4

1

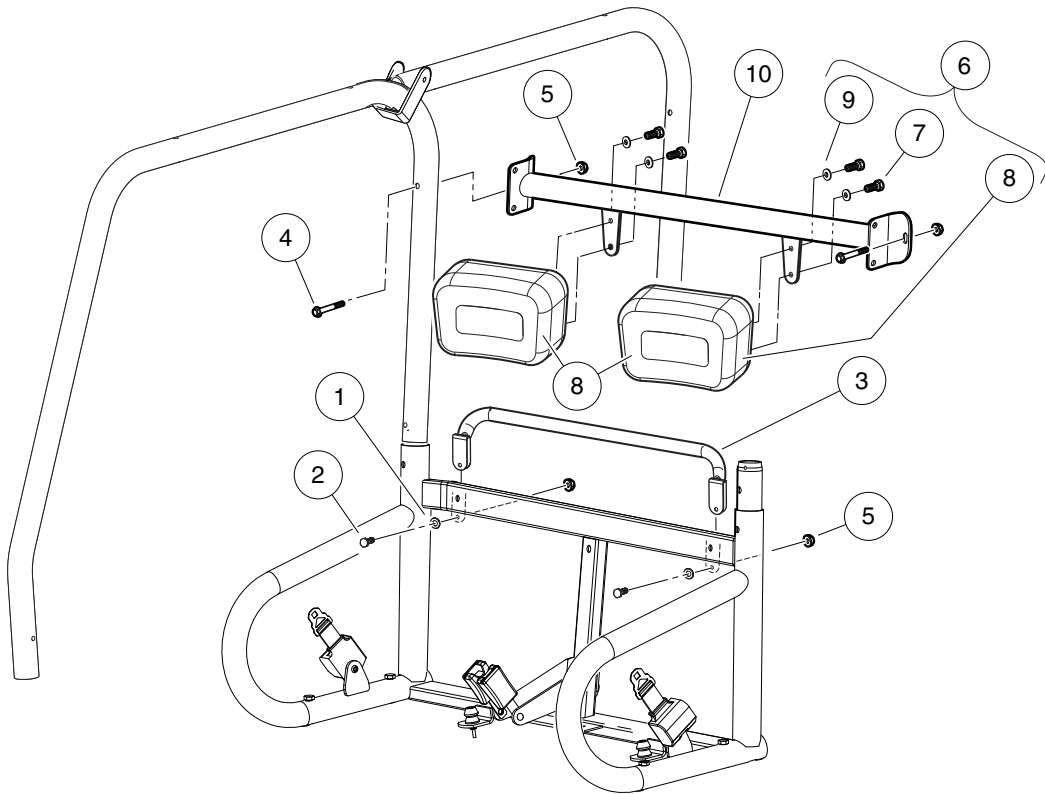
G

D

1

G

D



000029-013

HEAD RESTS AND REAR SEAT HANDLE – 4 PASS

ITEM	PART NO.	DESCRIPTION	QTY
		1 2 3 4	
1	102718101	Washer, Hard, M10, Zn-Ni/Blk	2
2	102732401	Bolt, M10 X 45, Zn-Ni (Black)	2
3	102834401	Weldment, Handle, ROPS, Rear	1
4	102988701	Bolt, Flanged, M10 X 1.5 X 65	2
5	103216401	Nut, Flanged, M10 x 1.5, Black	4
6	103274602	Kit, Head Restraint, Black (includes items 7 through 9)	1
7	102490101	Bolt, M10 X 1.5 X 20 Loctite	4
8	103274502	Asm, Head Restraint, Black	2
9	96741046	Washer, M10, Hard	4
10	103283801	Asm, Rear Brace	1

1

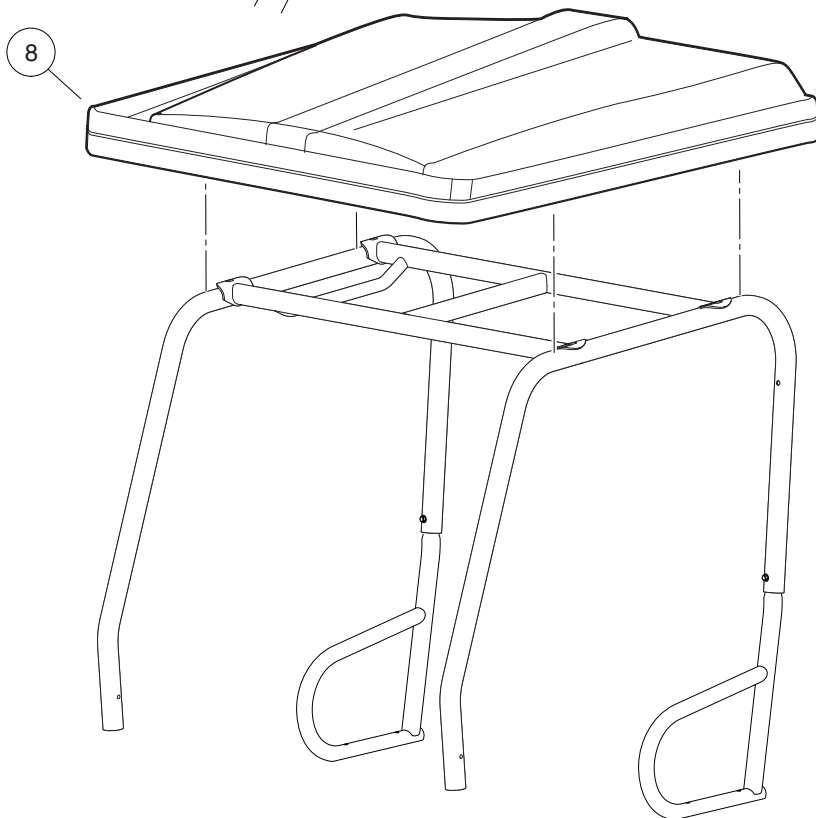
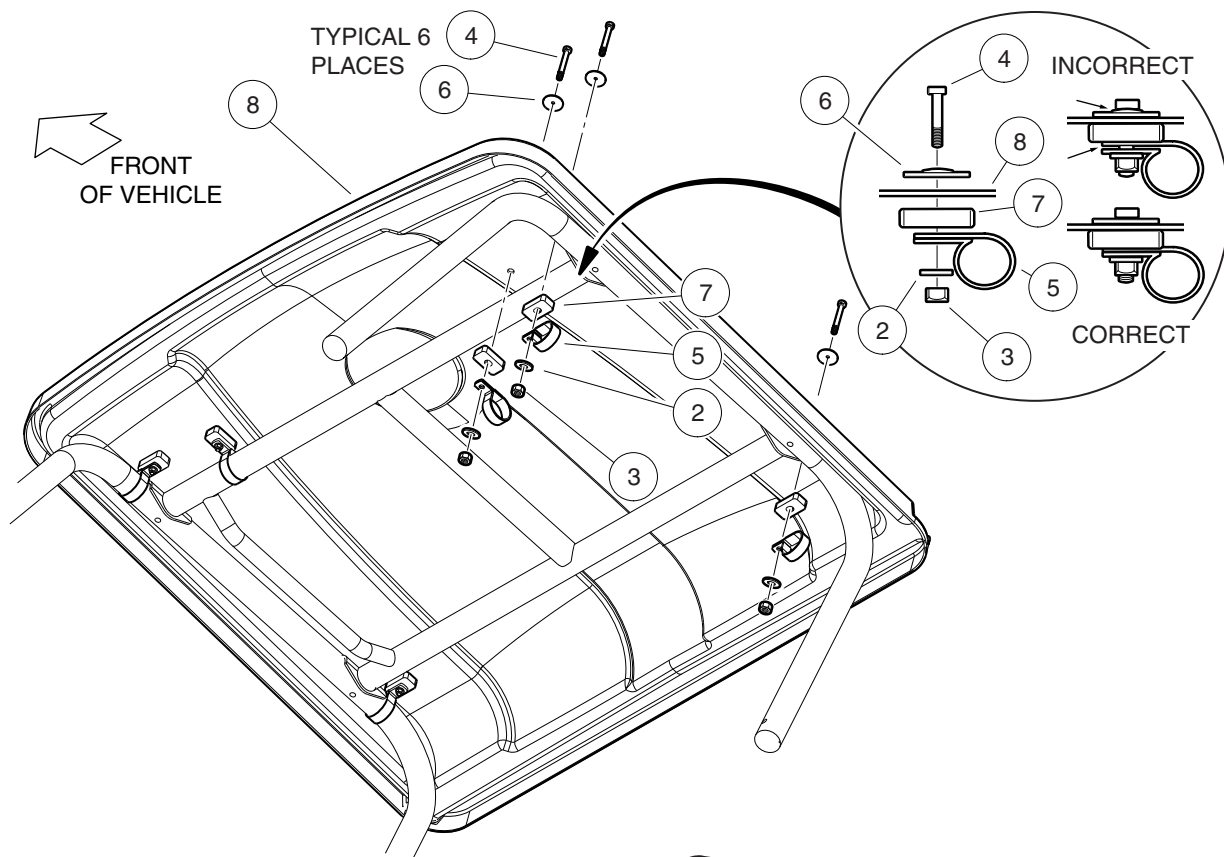
G

D

1

G

D



000963-001

CANOPY (VEHICLE WITH ROPS)

ITEM	PART NO.	DESCRIPTION	QTY
		1 2 3 4	
1	103955901	Kit, Canopy, Black, 4wd (includes items 2 through 8)	1
2	1011964	Washer, 1/4 Flat	6
3	1015068	Locknut, 1/4-20 Nylon	6
4	102343601	Screw, 1/4-20 X 1 3/4 Ss Hx Ca	6
5	103223101	P Clamp Insul 50.8 Dia	6
6	103844301	Washer, Sealing, 0.25 X 1.50	6
7	103844401	Spacer, 0.625 X 2.25 X 1.25	6
8	N/A	Canopy, Black, 4wd	1

1

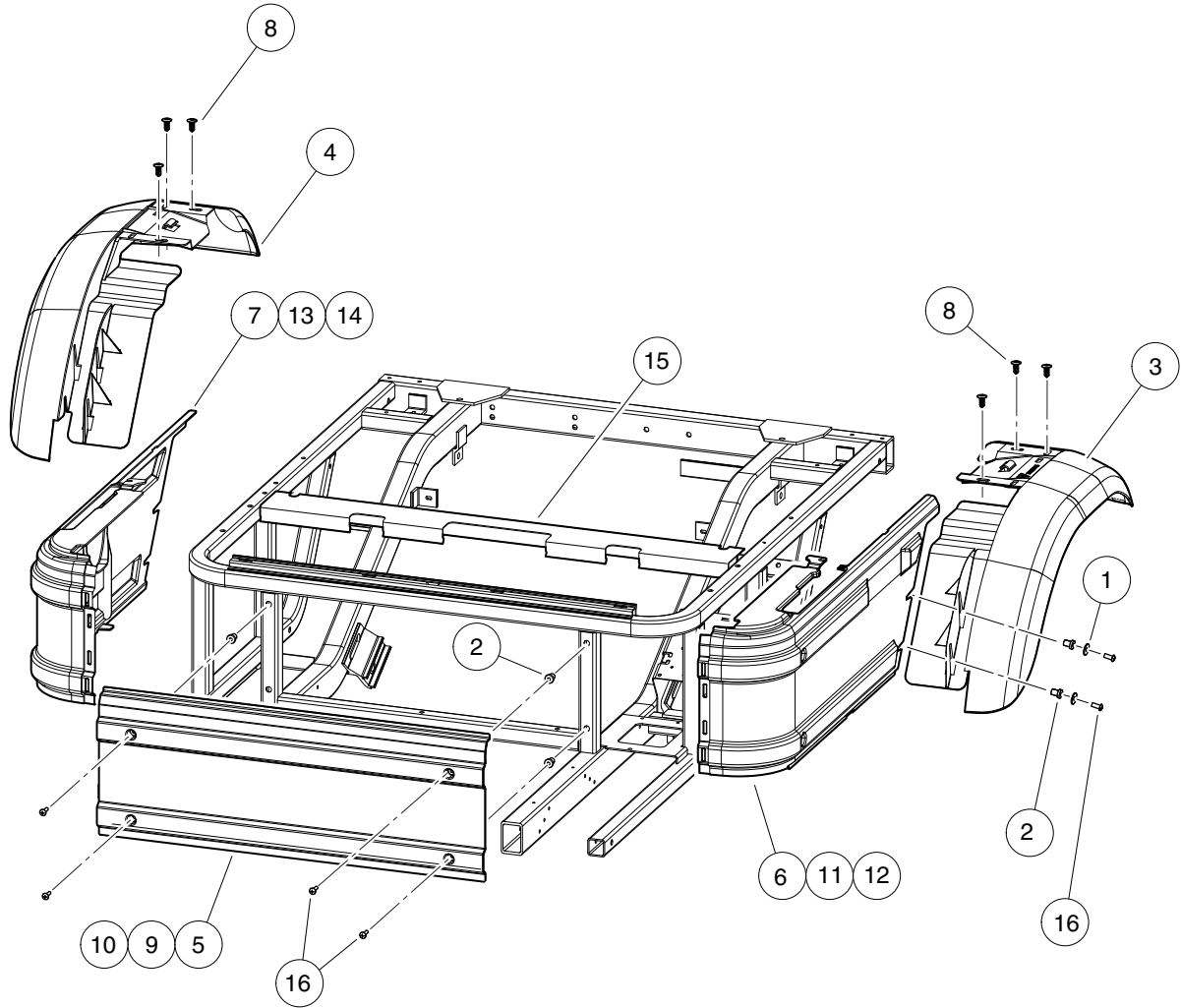
G

D

1

G

D



000518-006

SIDE PANELS AND REAR FENDERS – 2 PASS

ITEM	PART NO.	DESCRIPTION	QTY
		1 2 3 4	
1	1014306	Washer, 1/4" Type B Flat	4
2	102491701	Well Nut 1/4-20	8
3	102913801	Left Rear Fender (Black)	1
4	102913901	Right Rear Fender (Black)	1
5	102914001	Panel, Front, Kick (Black)	1
6	102914101	Panel, Side, Molded, Driver (Black)	1
7	102914102	Panel, Side, Molded, Passenger (Black)	1
8	103200501	Screw, Tuflok, 10mm	6
9	103289001	Panel, Front, Kick (Realtree Camo)	1
10	103289002	Panel, Front, Kick, Moff	1
11	103289101	Panel, Side, Molded, Driver (Realtree Camo)	1
12	103289102	Panel, Side, Molded, Drv, Moff	1
13	103289103	Panel, Side, Molded, Passenger (Realtree Camo)	1
14	103289104	Panel, Side, Molded, Pass, Moff	1
15	103331201	Closeout, Extrusion	1
16	8251	Screw, 1/4-20 X 1.0 Truss-Head Machine	8

1

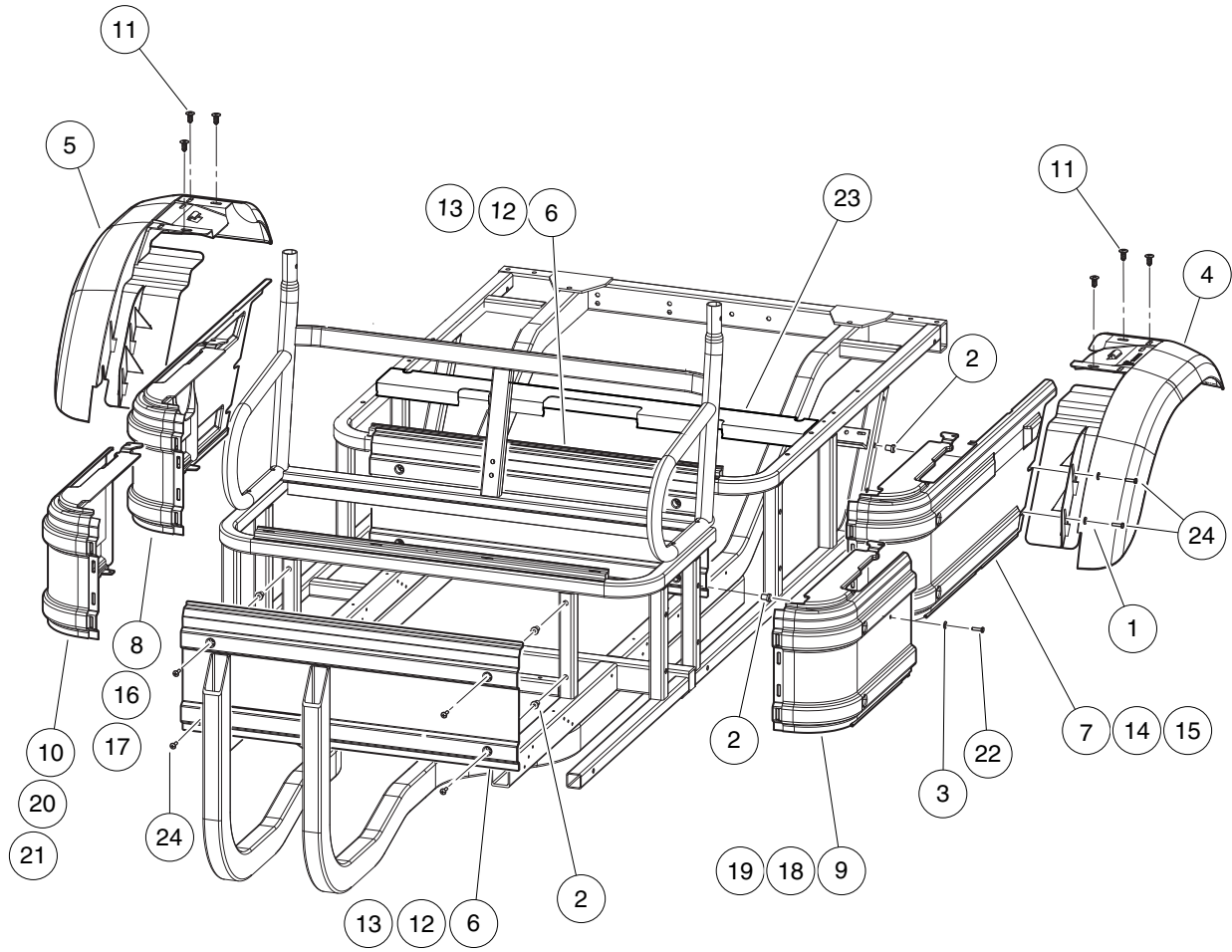
G

D

1

G

D



000518-007

SIDE PANELS AND REAR FENDERS – 4 PASS

ITEM	PART NO.	DESCRIPTION	QTY
		1 2 3 4	
1	1014306	Washer, 1/4" Type B Flat	4
2	102491701	Well Nut 1/4-20	14
3	102772201	Washer, Flat, 5/16, Black	2
4	102913801	Left Rear Fender (Black)	1
5	102913901	Right Rear Fender (Black)	1
6	102914001	Panel, Front, Kick (Black)	2
7	102914101	Panel, Side, Molded, Driver (Black)	1
8	102914102	Panel, Side, Molded, Passenger (Black)	1
9	102914104	Panel, Side, Cut, Driver (Black)	1
10	102914105	Panel, Side, Cut, Passenger (Black)	1
11	103200501	Screw, Tuflok, 10mm	6
12	103289001	Panel, Front, Kick (Realtree Camo)	2
13	103289002	Panel, Front, Kick, Moff	2
14	103289101	Panel, Side, Molded, Driver (Realtree Camo)	1
15	103289102	Panel, Side, Molded, Drv, Moff	1
16	103289103	Panel, Side, Molded, Passenger (Realtree Camo)	1
17	103289104	Panel, Side, Molded, Pass, Moff	1
18	103289107	Panel, Cut, Driver (Realtree Camo)	1
19	103289108	Panel, Side, Cut, Drv, Moff	1
20	103289109	Panel, Cut, Passenger (Realtree Camo)	1
21	103289110	Panel, Side, Cut, Pass, Moff	1
22	103319501	Screw, Pn Hd Blk, 1/4 - 20 X 1	2
23	103331201	Closeout, Extrusion	1
24	8251	Screw, 1/4-20 X 1.0 Truss-Head Machine	12

1

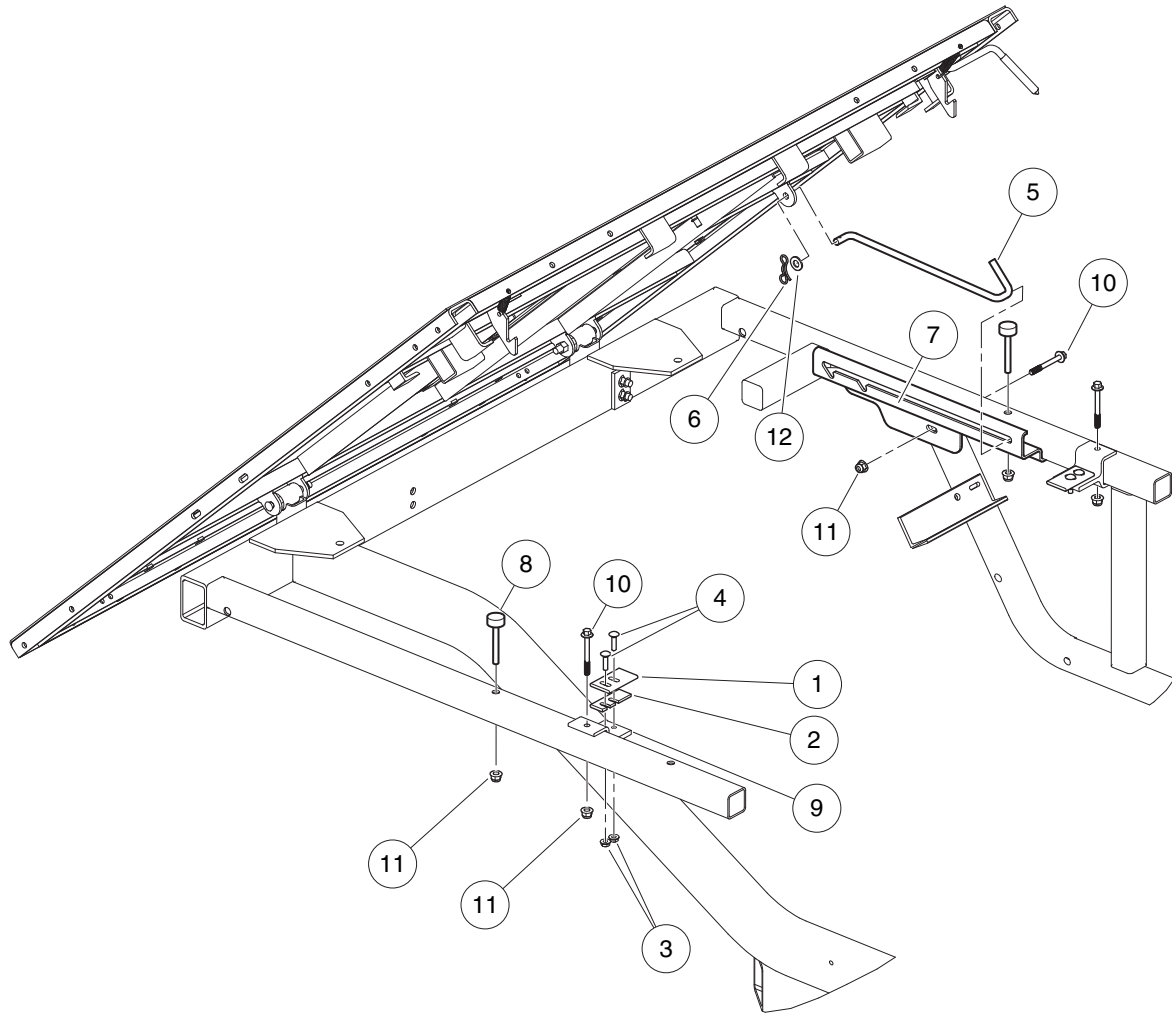
G

D

1

G

D



000036-001

LATCH PLATES AND PROP ROD

ITEM	PART NO.	DESCRIPTION	QTY
		1 2 3 4	
1	1015277	Latch Plate, Tilt Bed	2
2	1016078	Latch Plate Shim	1
3	101835601	Locknut, 1/4-20 Hex Whiz	4
4	101958602	Bolt, Carriage, 1/4-20 X 1.0	4
5	102301401	Rod, Prop	1
6	102323101	Pin, Bow Tie Locking	1
7	102418101	Track, Prop Rod	1
8	102426601	Bumper, Bed, Mtg, Front	2
9	102493801	Bracket, Latch, Bed	2
10	102618301	Bolt, Flanged Head, M8 X 1.25 X 65	3
11	102618601	Lock Nut, Flange, M8 X 1.25 Nylon	5
12	334	Washer, 3/8, Type A, Flat	1

1

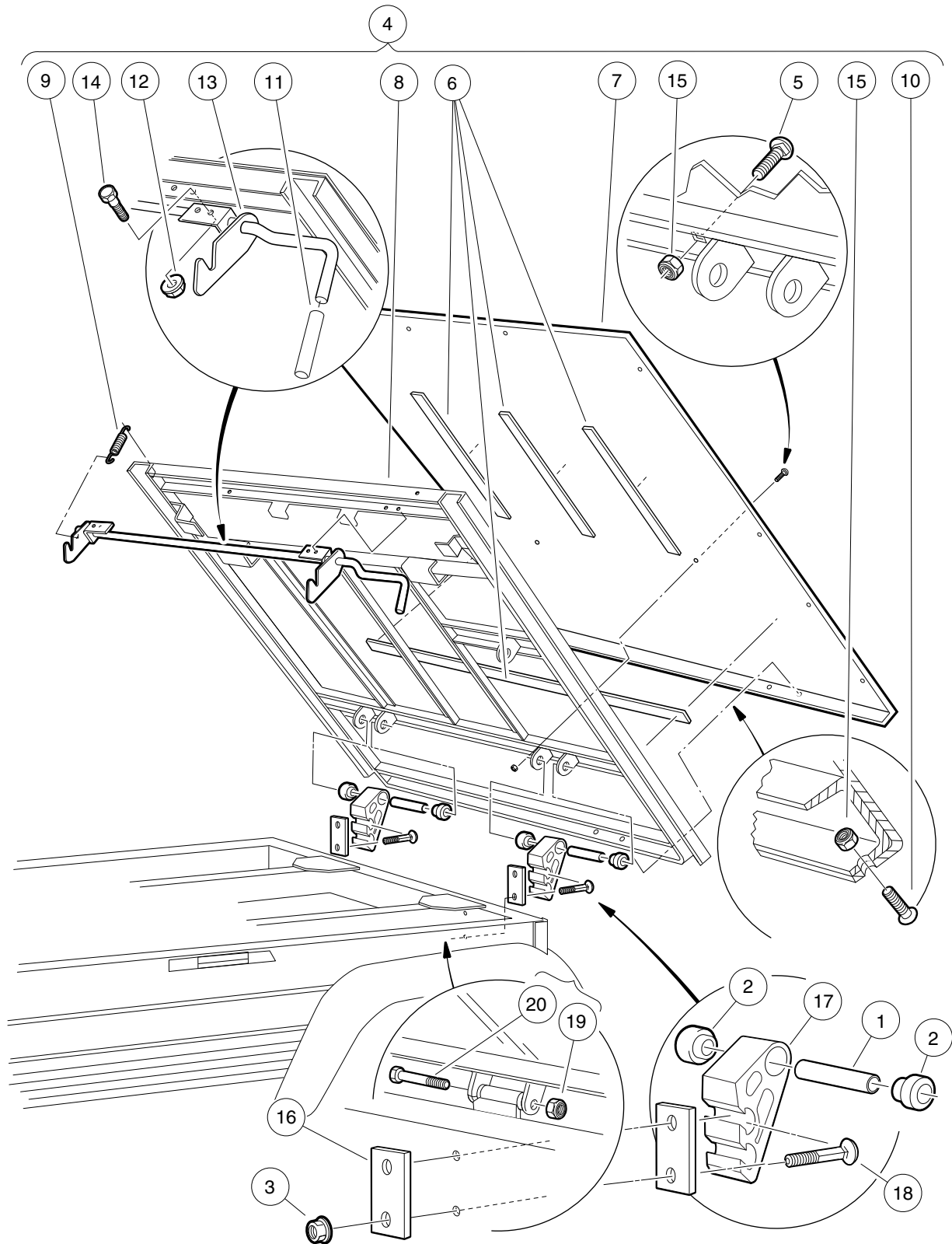
G

D

1

G

D



000037-001

TILT BED, HINGE, AND LATCH

ITEM	PART NO.	DESCRIPTION	QTY
		1 2 3 4	
1	1012303	Bushing, Steel	2
2	1015583	Bushing, Urethane	2
3	102065901	Locknut, 3/8-16 Flanged Dimple	4
4	102171503	Tilt Bed Assembly (includes items 5 through 15)	1
5	1010435	Bolt, Carriage, 5/16-18 X 1.00	4
6	1014471	Tape, Vinyl Foam 1/8" x 3/4"	1
7	1015258	Plate, Floor Bed	1
8	N/A	Frame Assembly	1
9	1015391	Extension, Spring Latch	2
10	1015399	Screw, 5/16-18 X 0.88 Torx Truss-Head	4
11	1015400	Grip, Tilt Latch Hand	1
12	101835601	Locknut, 1/4-20 Hex Whiz	4
13	102426901	Ltch Weld Asm Tlt Bd	1
14	403	Screw, 1/4-20 X 0.625 Hex-Head Cap	4
15	7473	Locknut, 5/16-18 Nylon Insert	8
16	102614101	Plate, Back	2
17	103538701	Bracket, Hinge, Bed	2
18	103538901	Bolt, Carriage, 3/8-16 x 3.5" Grade 5	4
19	8754	Locknut, 3/8-16 Hex	2
20	8755	Screw, 3/8-16 X 3.375 Hex Cap	2

1

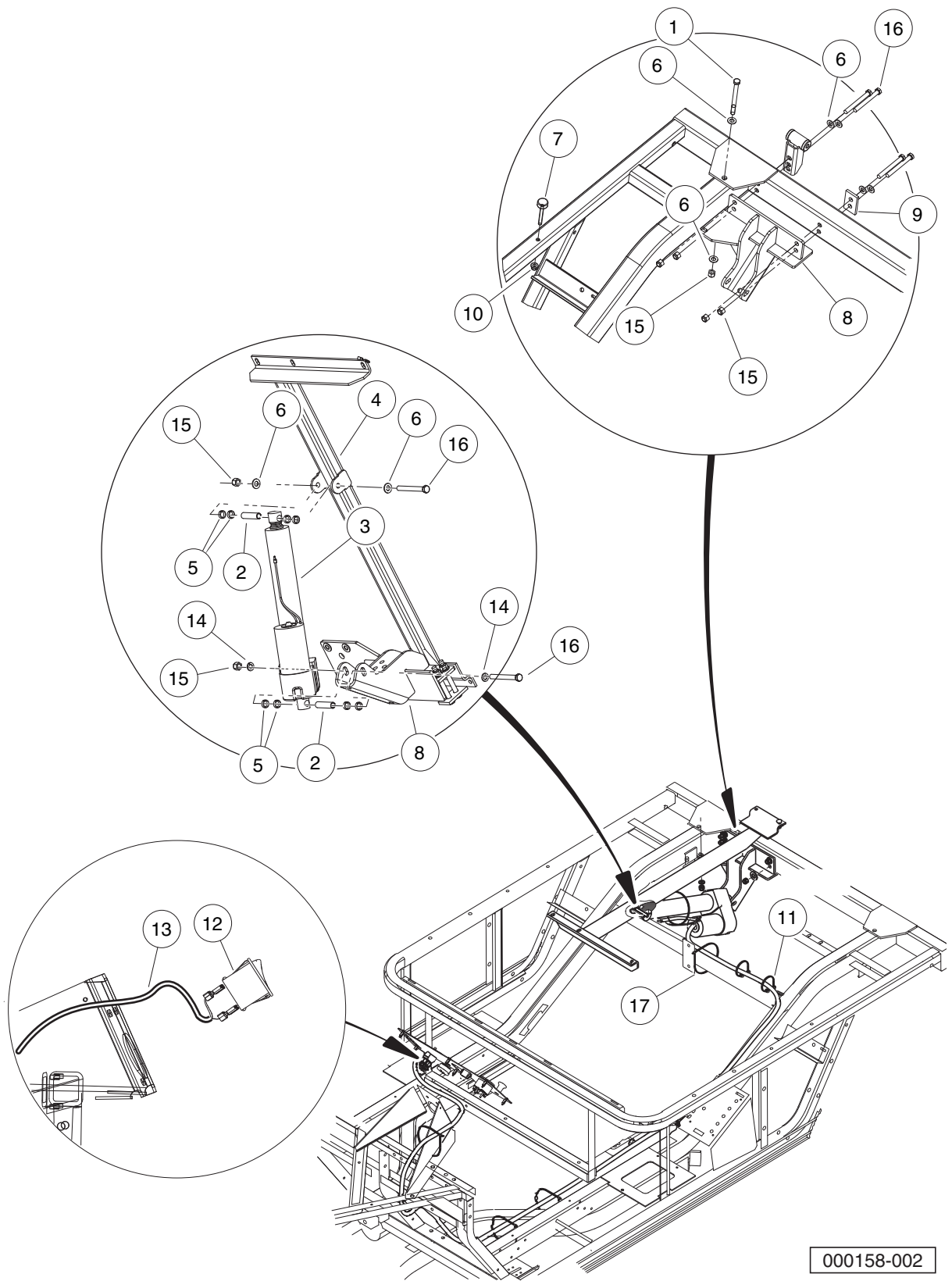
G

D

1

G

D



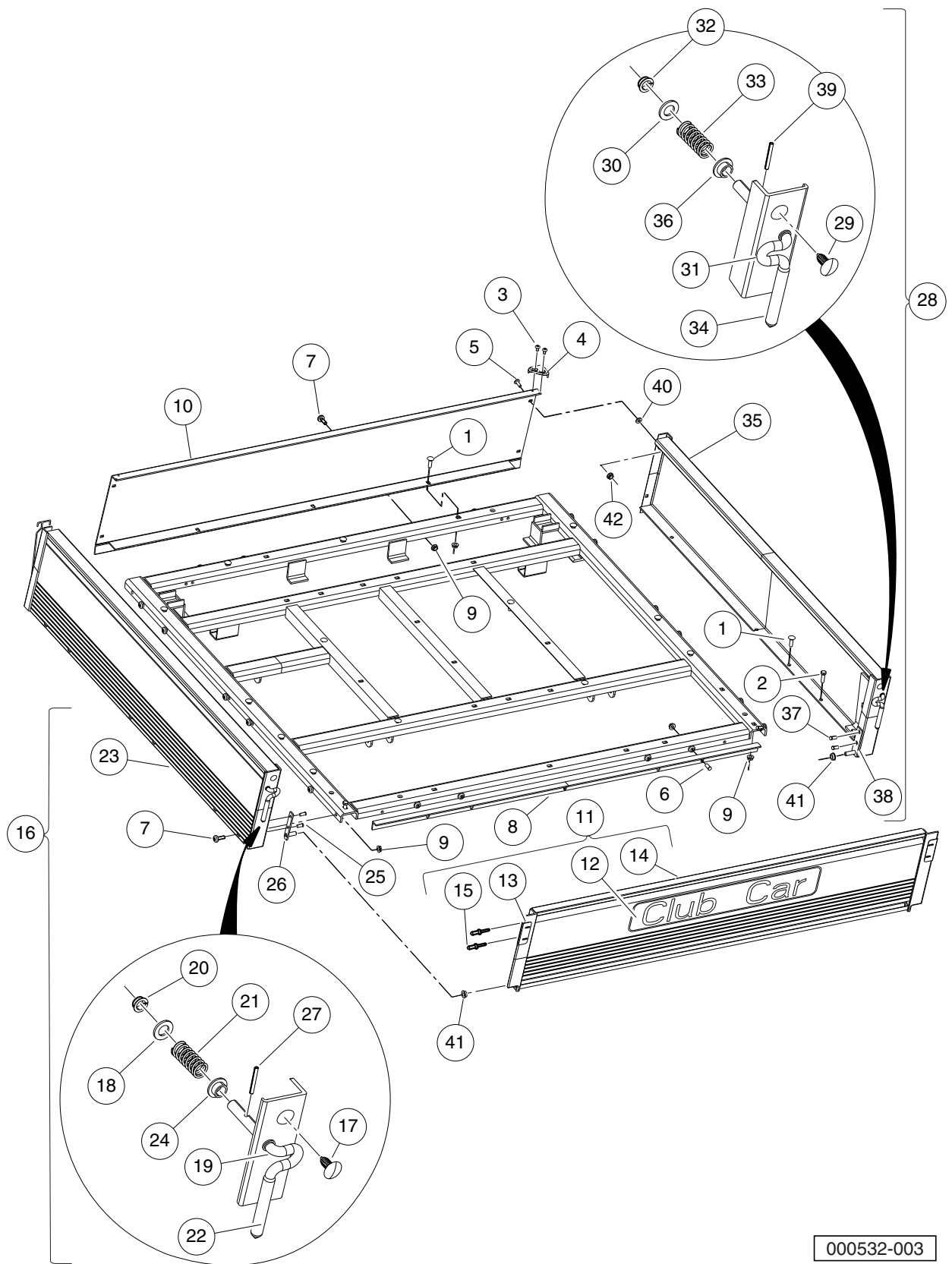
ELECTRIC BED LIFT

ITEM	PART NO.	DESCRIPTION	QTY	
		1 2 3 4		1
1	1010200	Bolt, 3/8-16 X 4.25 Hex Head	1	G
2	1016603	Bushing Long	2	
3	1017162	Actuator Assembly, Electric	1	
4	1017167	Actuator Adapter	1	D
5	1017774	Body Spacer	8	
6	102066001	Washer, 3/8 Type B Hard Flat	8	
7	102426601	Bumper, Bed, Mtg, Front	2	
8	102465701	Weldment, Bracket, Actuator	1	
9	102614101	Plate, Back	1	
10	102618601	Lock Nut, Flange, M8 X 1.25 Nylon	2	
11	102629001	Tie Wrap, 8.00" With Mount	2	
12	102882501	Switch, Rocker, Bed Lift	1	
13	103227001	Harness, AWD Bedlift	1	
14	357	Lockwasher, 3/8 Split	2	
15	8754	Locknut, 3/8-16 Hex	9	
16	8755	Screw, 3/8-16 X 3.375 Hex Cap	6	
17	8990	Tie Wrap, 8" Nylon	5	

1

G

D



000532-003

BOX BED – ALUMINUM

ITEM	PART NO.	DESCRIPTION	QTY
		1 2 3 4	
1	1010435	Bolt, Carriage, 5/16-18 X 1.00	11
2	1010934	Screw, 5/16-18 X 1.00 Hex Cap	2
3	1014321	Screw, #10 Truss-Head Torx	4
4	1014387	Cap, Corner	2
5	1014415	Screw, 1/4-20 X 0.75 Torx Truss-Head	4
6	1014537	Stud, Self-Clinching Flush Head	2
7	1015399	Screw, 5/16-18 X 0.88 Torx Truss-Head	16
8	N/A	Box Bed Tailgate Angle	1
9	101963401	Locknut, 5/16-18 Hex Flange	33
10	102030101	Panel, Front	1
11	102030201	Tailgate Asm (includes items 12 through 15)	1
12	1013317	Decal, Logo, Tailgate	1
13	1015246	Plate, Tailgate Latch Wear	2
14	N/A	Tailgate Weldment	1
15	7973	Rivet, 3/16 X .400 Blind	4
16	103191401	Asm, Panel, Side, Left (includes items 17 through 27)	1
17	1010434	Barrel - Plastic	1
18	1011990	Washer, 3/8 Flat	1
19	1015313	Latch, Tailgate, Left-Hand	1
20	1015363	Bushing, Snap-In	1
21	1015390	Compression Spring Latch Tilt	1
22	1015400	Grip, Tilt Latch Hand	1
23	103191201	Weldment, Panel, Side, Left	1
24	1032	Bushing, Nylon	1
25	103379401	Rivet, 1/4 X 0.30, Blind	2
26	103406501	Kit, Tailgate Mounting Bracket, CA, LH	1
27	1231	Pin, 1/8 X 1.00 Split Roll	1
28	103191501	Asm, Panel, Side, Right (includes items 29 through 39)	1
29	1010434	Barrel - Plastic	1
30	1011990	Washer, 3/8 Flat	1
31	1015245	Latch, Tailgate, Right-Hand	1
32	1015363	Bushing, Snap-In	1
33	1015390	Compression Spring Latch Tilt	1
34	1015400	Grip, Tilt Latch Hand	1
35	103191301	Weldment, Panel, Side, Right	1
36	1032	Bushing, Nylon	1
37	103379401	Rivet, 1/4 X 0.30, Blind	2
38	103406502	Kit, Tailgate Mounting Bracket, CA, RH	1
39	1231	Pin, 1/8 X 1.00 Split Roll	1
40	332	Washer, 1/4 Type A Narrow Flat	4
41	7049	Bushing, Nylon	2
42	8233	Locknut, 1/4-20, Nylon Insert	4

1

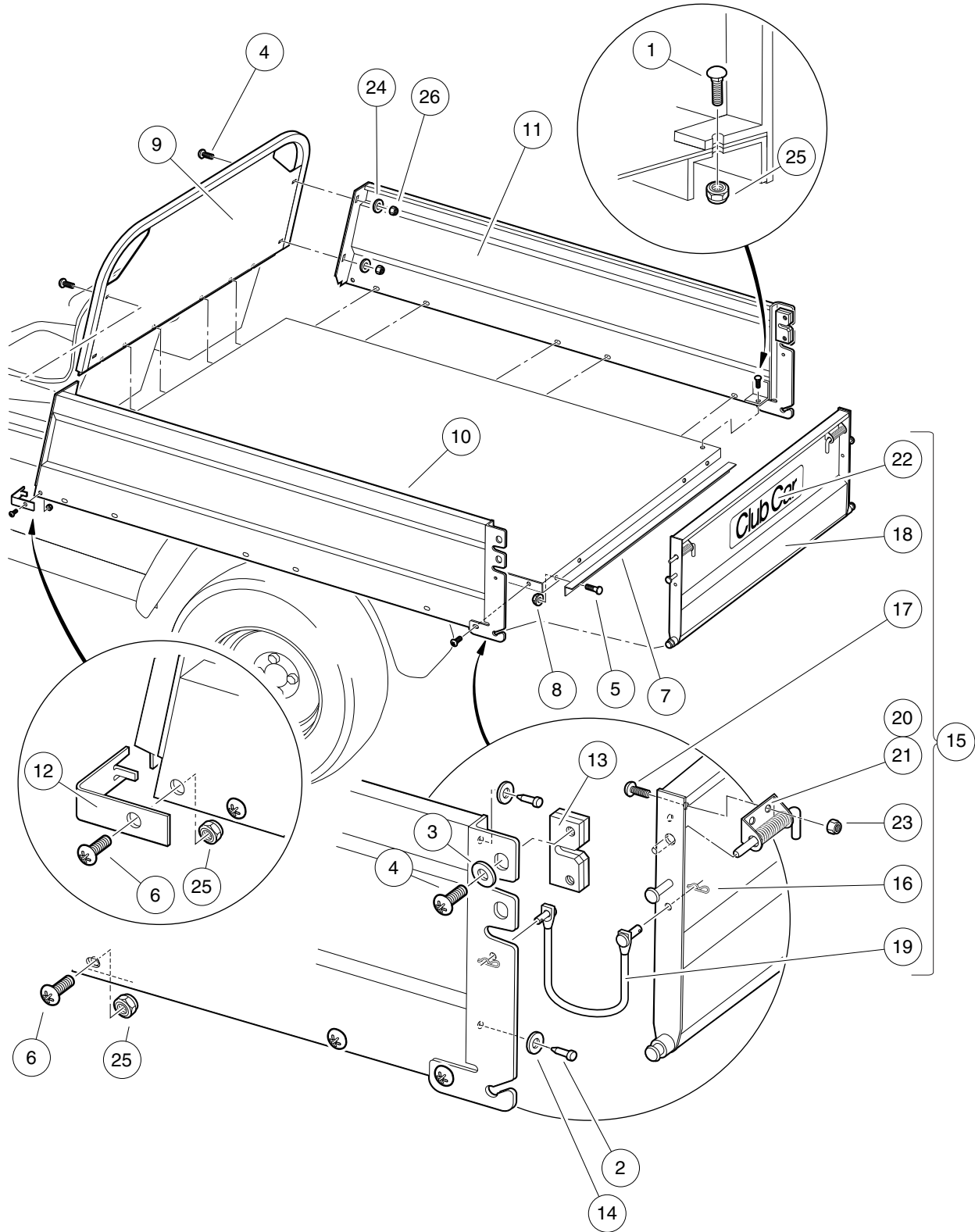
G

D

1

G

D



000038-006

BOX BED – STEEL

ITEM	PART NO.	DESCRIPTION	QTY
		1 2 3 4	
1	1010435	Bolt, Carriage, 5/16-18 X 1.00	13
2	1010436	Bumper, Rubber	4
3	1014306	Washer, 1/4" Type B Flat	4
4	1014415	Screw, 1/4-20 X 0.75 Torx Truss-Head	8
5	1014537	Stud, Self-Clinching Flush Head	4
6	1015399	Screw, 5/16-18 X 0.88 Torx Truss-Head	18
7	101894304	Box Bed Tailgate Angle	1
8	101963401	Locknut, 5/16-18 Hex Flange	4
9	102221301	Front Panel Weldment	1
10	102221401	Left Panel Weldment	1
11	102221501	Right Panel Weldment	1
12	102221701	Front Corner Cap	2
13	102222001	Slam Latch	2
14	102239901	Washer, Rubber, 3/8	4
15	102614401	Assembly, Tailgate (includes items 16 through 23)	1
16	1013366	Hair Pin Clip	4
17	1014415	Screw, 1/4-20 X 0.75 Torx Truss-Head	4
18	N/A	Tailgate, Weldment	1
19	102221801	Tether Assembly	2
20	102222101	Spring Latch Right	1
21	102222201	Spring Latch Left	1
22	102673201	Decal, Club Car Tailgate	1
23	8233	Locknut, 1/4-20, Nylon Insert	4
24	332	Washer, 1/4 Type A Narrow Flat	4
25	7473	Locknut, 5/16-18 Nylon Insert	31
26	8233	Locknut, 1/4-20, Nylon Insert	4

1

G

D

1

G

D

WHEELS AND TIRES

2

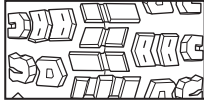
G

D

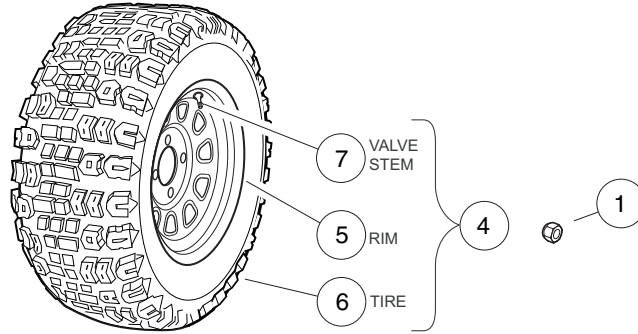
2

G

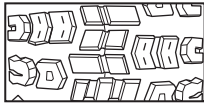
D



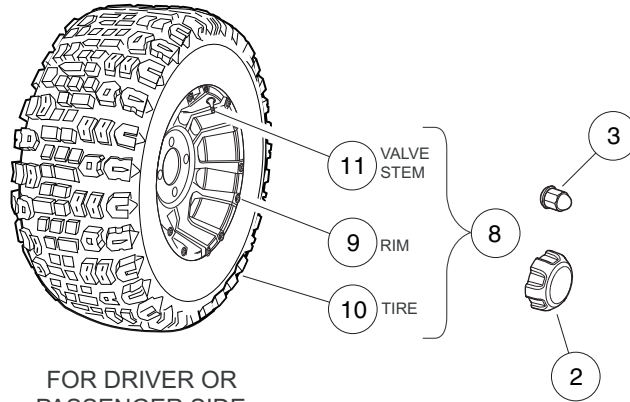
Kenda
All-Terrain
Tread



FOR DRIVER OR
PASSENGER SIDE



Kenda
All-Terrain
Tread



FOR DRIVER OR
PASSENGER SIDE

000506-006

WHEELS AND TIRES – KENDA

ITEM	PART NO.	DESCRIPTION	QTY
		1 2 3 4	
1	102736901	Nut, Lug, 1/2-20 SAE J2283	16
2	103532801	Cap, Center, Chrome	4
3	103699801	Lug Nut, 13/16 X 1/2-20, CE	16
4	103779001	Wheel/Tire Assy, All Terrain, 25x11-12 K502, Black Wheel (includes items 5 through 7) .	4
5	103234503	Wheel, 10 Window, Black	1
6	103778601	Tire, All Terrain, K502, 25x11-12	1
7	7310	Valve Stem, Black Plastic	1
8	103779004	Wheel/Tire Assy, All Terrain, 25x11-12 K502, Alloy Wheel (includes items 9 through 11)	4
9	103525002	Wheel, Alloy	1
10	103778601	Tire, All Terrain, K502, 25x11-12	1
11	7310	Valve Stem, Black Plastic	1
Note: The tires listed above are Kenda brand.			

2

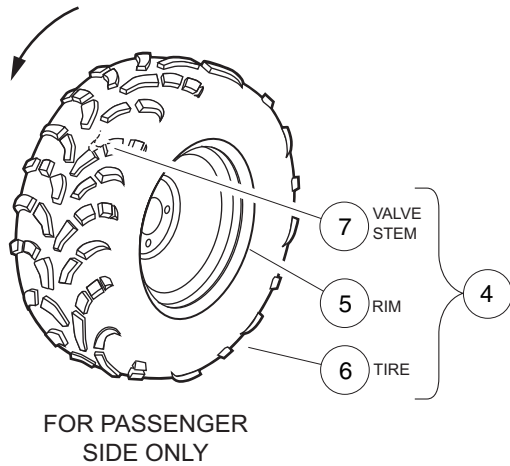
G

D

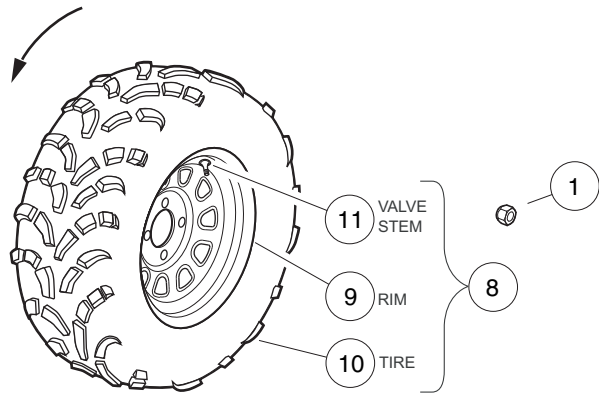
2

G

D



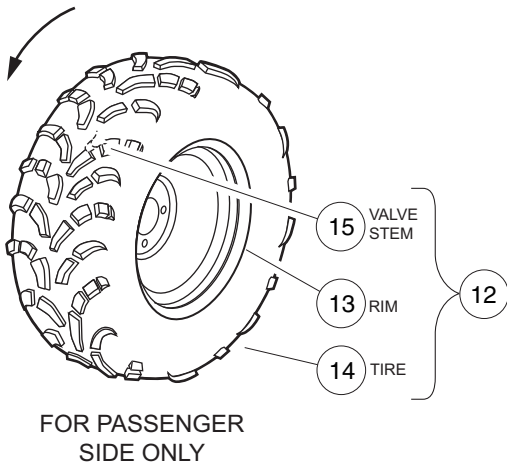
FOR PASSENGER SIDE ONLY



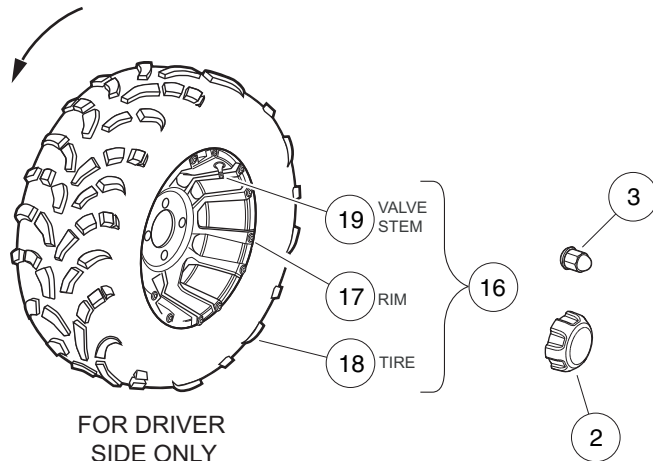
FOR DRIVER SIDE ONLY



OTR Mud Tread



FOR PASSENGER SIDE ONLY



FOR DRIVER SIDE ONLY



OTR Mud Tread

000506-007

WHEELS AND TIRES – OTR

ITEM	PART NO.	DESCRIPTION	QTY
		1 2 3 4	
1	102736901	Nut, Lug, 1/2-20 SAE J2283	16
2	103532801	Cap, Center, Chrome	4
3	103699801	Lug Nut, 13/16 X 1/2-20, CE	16
4	103901101	Wheel/Tire Assy, Pass. Side, Mud, 25x11-12 OTR 440, Black (includes items 5 through 7)	2
5	103234503	Wheel, 10 Window, Black	1
6	103901001	Tire, Mud, 6ply, 25x11-12, 440	1
7	7310	Valve Stem, Black Plastic	1
8	103901102	Wheel/Tire Assy, Driver Side, Mud, 25x11-12 OTR 440, Black (includes items 9 through 11)	2
9	103234503	Wheel, 10 Window, Black	1
10	103901001	Tire, Mud, 6ply, 25x11-12, 440	1
11	7310	Valve Stem, Black Plastic	1
12	103901107	Wheel/Tire Assy, Pass. Side, Mud, 25x11-12 OTR 440, Alloy (includes items 13 through 15)	2
13	103525002	Wheel, Alloy	1
14	103901001	Tire, Mud, 6ply, 25x11-12, 440	1
15	7310	Valve Stem, Black Plastic	1
16	103901108	Wheel/Tire Assy, Driver Side, Mud, 25x11-12 OTR 440, Alloy (includes items 17 through 19)	2
17	103525002	Wheel, Alloy	1
18	103901001	Tire, Mud, 6ply, 25x11-12, 440	1
19	7310	Valve Stem, Black Plastic	1
Note: The tires listed above are OTR brand. NOTE 2: Must use Items 4 and 12 on passenger side; Items 8 and 16 on driver side.			

2

G

D

2

G

D

DECALS

3

G

D

3

G

D

WARNING
GASOLINE EXPLOSION / FIRE.
 • Can cause severe injury or death.
 • No smoking, sparks, or open flames.
 • Stop engine, allow to cool before refueling.
 • Turn fuel valve (—) on during operation.
 • (→) off during storage or transport.
 CCI 102459201

WARNING
DIESEL FUEL EXPLOSION / FIRE.
 • Can cause severe injury or death.
 • No smoking, sparks, or open flames.
 • Stop engine, allow to cool before refueling.
 CCI 102459201

OPERATING INSTRUCTIONS

- Read owner's manual and vehicle safety warnings. Study and understand controls.

TO START ENGINE

- Place shift lever in NEUTRAL (N) and press brake pedal.
- Turn key to START and hold until engine starts.

Diesel Vehicles Only:

- If required, turn key to PREHEAT and hold for 10-15 seconds.

TO OPERATE VEHICLE

- Ensure wheels are turned in desired direction and path is clear.
- With vehicle stopped and engine at idle, select vehicle direction.

↑ Forward N Neutral ↓ Reverse (Buzzer will sound)

- Release park brake and slowly press accelerator pedal to increase speed.
- All-wheel drive will automatically drive appropriate wheel(s).

TO STOP VEHICLE

- Release accelerator pedal and push brake pedal.

BEFORE LEAVING VEHICLE

- Turn key to OFF and remove key.
- Place shift lever in NEUTRAL (N).
- Firmly set park brake.

CCI 102459201



WARNING
CAN CAUSE SEVERE INJURY
HOT manifold
 KEEP CLEAR
 CCI 102459001

WARNING
WINCH CABLE FRACTURE COULD RESULT IN SERIOUS INJURY OR DEATH.
 • Do not use winch while persons are seated on the vehicle.
 • Use remote operation switch for winch control.
 • Stand to the side and away from the vehicle to operate winch.
 • Read winch operator manual before operating winch.
 102231601

WARNING
CAN CAUSE SEVERE BURNS
Hot Surface
 CCI 102458901

WARNING
Negative frame ground. Can cause severe injury. Do not contact positive (+) battery post or cable to frame. Disconnect negative (-) battery cable first.
 CCI 102459101

WARNING
CAN CAUSE SEVERE INJURY
Rotating parts. KEEP CLEAR.

WARNING
CAN CAUSE SEVERE INJURY
Hot manifold and muffler. KEEP CLEAR.
 CCI 102459501



3006

SAFETY DECALS – CARRYALL AND XRT 2-PASSENGER

ITEM	PART NO.	DESCRIPTION	QTY
		1 2 3 4	
1	101547601	Decal, Gasoline Explosion/Fire Warning	1
2	102231601	Decal, Winch Cable Fracture Warning	1
3	102427501	Cap, Radiator	1
4	102458901	Decal, Hot Surface Warning	2
5	102459001	Decal, Hot Manifold Warning	1
6	102459101	Decal, Frame Ground Warning	1
7	102459201	Decal, Diesel Explosion/Fire Warning	1
8	102459501	Decal, Rotating Parts and Hot Exhaust Warning	1
9	102884301	Decal, Operating Instr, AWD	1

3

G

D

3

G

D

WARNING

ROLLOVER OR FALLING OFF MAY CAUSE DEATH

- Read owner's manual and operating instructions.
- Fasten seat belts and remain seated while moving.
- Children requiring a child safety seat must not ride on vehicle.
- Comply with state and local laws pertaining to child safety.
- Drive slowly in turns and straight up and down slopes.
- Do not start vehicle until all occupants are seated.
- Two (2) persons per bench seat maximum.
- One (1) person per bucket seat maximum.
- Operate from driver side only and not on public roads.
- Keep entire body inside vehicle while moving.
- Do not operate while under the influence of alcohol or drugs.
- Never attempt jumps and avoid extreme braking in reverse.

CCI 10288461

UNDER 16

WARNING

YOUNG DRIVERS INCREASE CHANCE OF DEATH

- Young drivers may not be able to control vehicle.
- No drivers younger than 16 years old.
- Do not leave children unattended on vehicle.

CCI 10288461

WARNING

- Do not modify or remove Roll-over Protective Structure (ROPS).
- Replace ROPS if damaged. Do not attempt repair.
- Use seat belts during operation. Do not jump from vehicle.
- Keep away from drop-offs, steep slopes, and unstable surfaces.

CCI 102961201

WARNING

CAN CAUSE SEVERE INJURY

Rotating parts. KEEP CLEAR.

CCI 101040201

NOTICE

MAXIMUM TONGUE WEIGHT - 150 lbs.

CCI 1011553

WARNING

CRUSH AREA

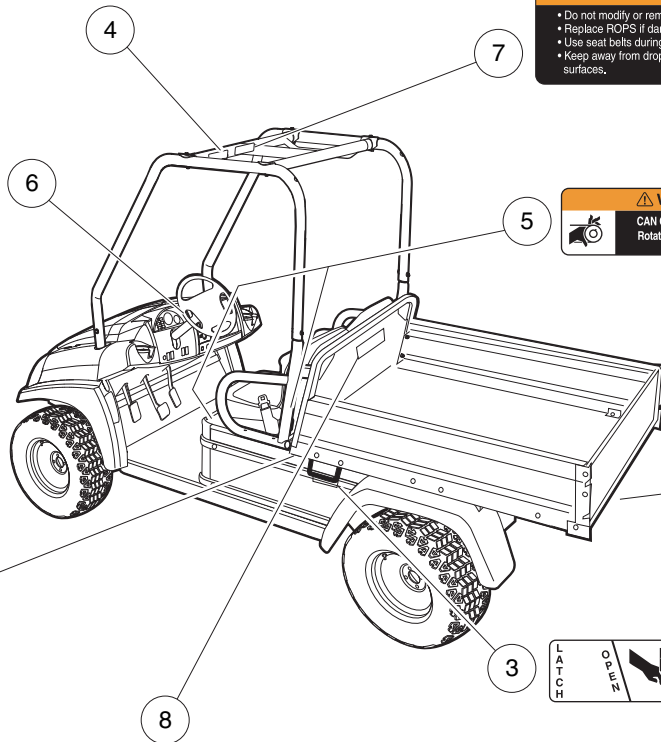
STAY CLEAR

CCI 101609401

WARNING

Crush area. Can cause severe injury. Stay clear when closing bed.

CCI 101609401



<p>WARNING</p> <p>RIDING IN CARGO BED CAN CAUSE SERIOUS INJURY OR DEATH.</p> <ul style="list-style-type: none"> • Do not ride in cargo bed. 	<p>WARNING</p> <p>ROLLOVER CAN CAUSE SERIOUS INJURY OR DEATH.</p> <ul style="list-style-type: none"> • Place cargo forward in the cargo bed and distribute evenly side to side. Secure load. • On uneven or steep terrain, reduce speed and load. • Avoid stopping on or backing down steep hills. • Avoid top-heavy loads. 	<p>VEHICLE LOADING</p> <ul style="list-style-type: none"> • Read owner's manual and warnings on dash. • Vehicle rated capacity: 1200 lb. (544 kg) on level surface only. • Includes occupants and cargo load. • Maximum cargo load: 800 lb. (363 kg). • Includes cargo, bed load, optional equipment, and trailer tongue weight. <p>102322691</p>
--	---	---

<p>WARNING</p> <p>RIDING IN CARGO BED CAN CAUSE SERIOUS INJURY OR DEATH.</p> <ul style="list-style-type: none"> • Do not ride in cargo bed. 	<p>WARNING</p> <p>ROLLOVER CAN CAUSE SERIOUS INJURY OR DEATH.</p> <ul style="list-style-type: none"> • Place cargo forward in the cargo bed and distribute evenly side to side. Secure load. • On uneven or steep terrain, reduce speed and load. • Avoid stopping on or backing down steep hills. • Avoid top-heavy loads. 	<p>HIGH-CAPACITY VEHICLE LOADING</p> <ul style="list-style-type: none"> • Read owner's manual and warnings on dash. • Vehicle rated capacity: 1450 lb. (653 kg) on level surface only. • Includes occupants and cargo load. • Maximum cargo load: 1050 lb. (476 kg). • Includes cargo, bed load, optional equipment, and trailer tongue weight. <p>103210461</p>
--	---	--

2705

SAFETY DECALS – CARRYALL AND XRT 2-PASSENGER, CONTINUED

ITEM	PART NO.	DESCRIPTION	QTY
		1 2 3 4	
1	1011553	Decal, Trailer Hitch	1
2	101609401	Decal, Crush Area Warning	2
3	102459301	Decal, Bed Crush Area Warning	1
4	102459401	Decal, Young Driver Warning	1
5	102460201	Decal, Rotating Parts Warning	2
6	102884401	Decal, Warning, Rollover	1
7	102961201	Decal, Warning, AWD ROPS	1
8	103202601	Decal, Vehicle Loading, 800 lbs	1
9	103210401	Decal, Vehicle Loading, 1050 lbs	1

3

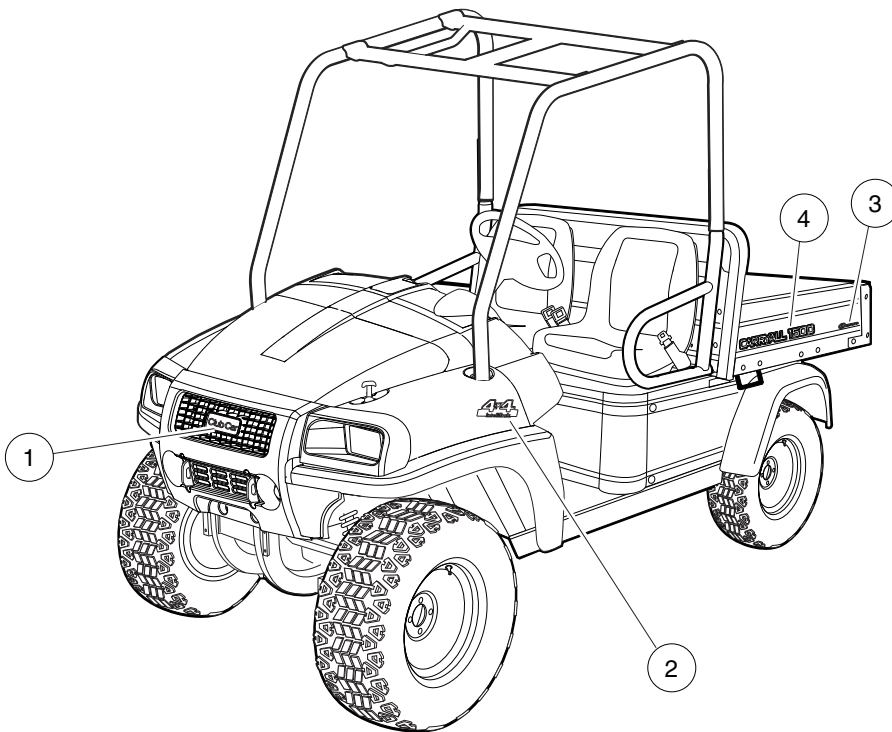
G

D

3

G

D



000531-009

BADGING DECALS – CARRYALL 2-PASSENGER

ITEM	PART NO.	DESCRIPTION	QTY
		1 2 3 4	
1	102883601	Decal, Nameplate, CCI, Front	1
2	103234201	Decal, Badge, 4x4	2
3	103234304	Decal, Badge, lr, Red	2
4	105200501	Decal, Badge, CA1500	2

3

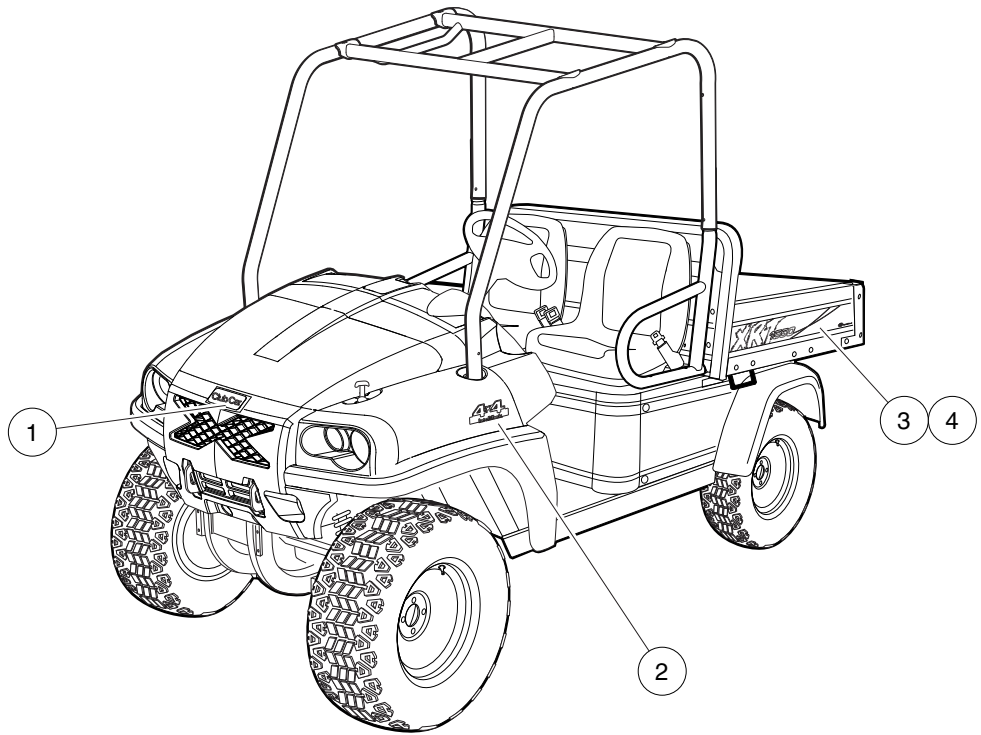
G

D

3

G

D



000531-008

BADGING DECALS – XRT 2-PASSENGER

ITEM	PART NO.	DESCRIPTION	QTY
		1 2 3 4	
1	102883601	Decal, Nameplate, CCI, Front	1
2	103234201	Decal, Badge, 4x4	2
3	103945601	Decal, Side, Bed, 1550, Ds	1
4	103945602	Decal, Side, Bed, 1550, Ps	1

3

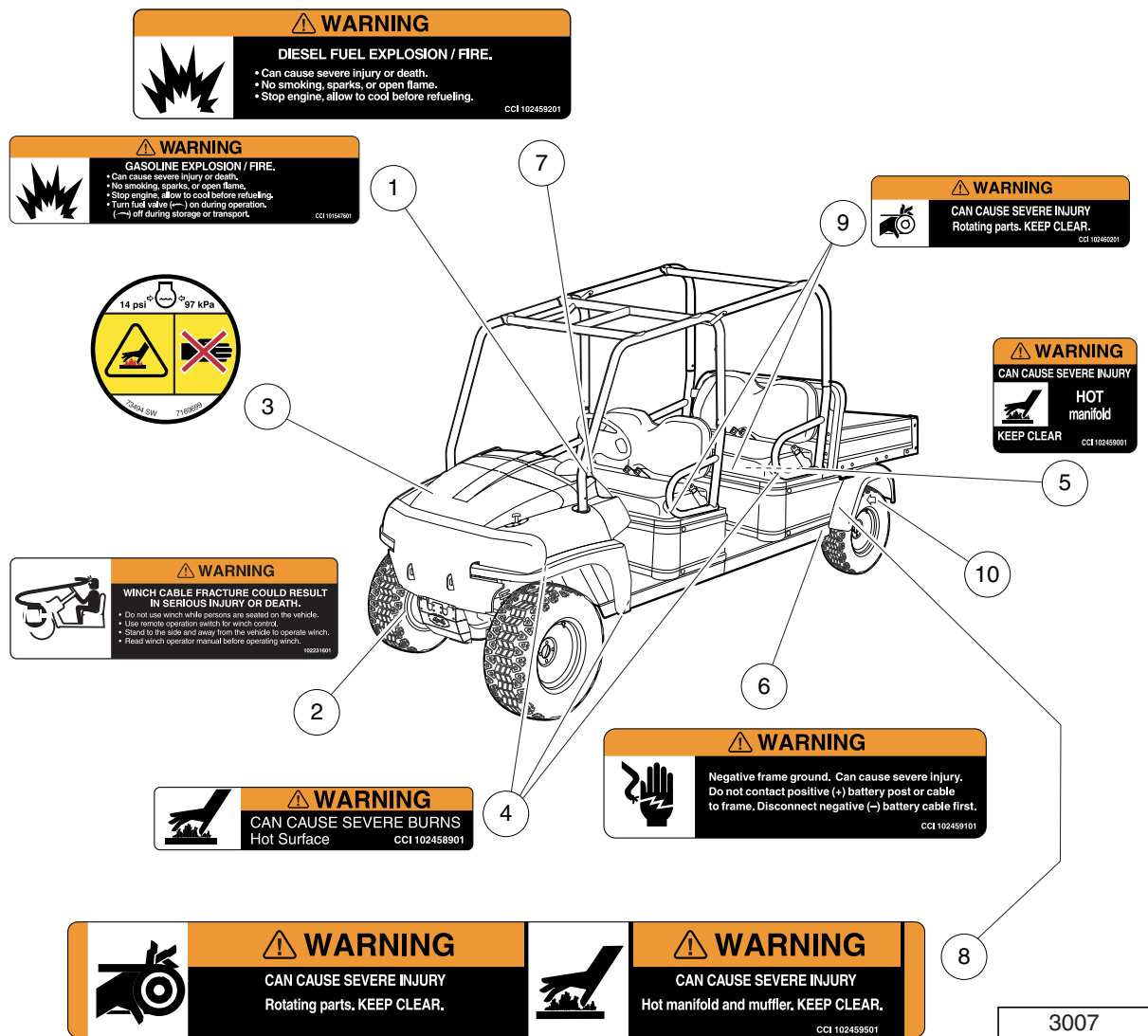
G

D

3

G

D



SAFETY DECALS – CARRYALL AND XRT 4-PASSENGER

ITEM	PART NO.	DESCRIPTION	QTY
		1 2 3 4	
1	101547601	Decal, Gasoline Explosion/Fire Warning	1
2	102231601	Decal, Winch Cable Fracture Warning	1
3	102427501	Cap, Radiator	1
4	102458901	Decal, Hot Surface Warning	3
5	102459001	Decal, Hot Manifold Warning	1
6	102459101	Decal, Frame Ground Warning	1
7	102459201	Decal, Diesel Explosion/Fire Warning	1
8	102459501	Decal, Rotating Parts and Hot Exhaust Warning	1
9	102460201	Decal, Rotating Parts Warning	2

3

G

D

3

G

D

OPERATING INSTRUCTIONS

- Read owner's manual and vehicle safety warnings. Study and understand controls.

TO START ENGINE

- Place shift lever in NEUTRAL (N) and press brake pedal.
- Turn key to START and hold until engine starts.

Diesel Vehicles Only:

- If required, turn key to PREHEAT and hold for 10-15 seconds.

TO OPERATE VEHICLE

- Ensure wheels are turned in desired direction and path is clear.
- With vehicle stopped and engine at idle, select vehicle direction.

Forward
 Neutral
 Reverse (Buzzer will sound)

- Release park brake and slowly press accelerator pedal to increase speed.
- Allowed drive will automatically drive appropriate wheel(s).

TO STOP VEHICLE

- Release accelerator pedal and push brake pedal.

BEFORE LEAVING VEHICLE

- Turn key to OFF and remove key.
- Place shift lever in NEUTRAL (N).
- Firmly set park brake.

CCI 10284301

WARNING

ROLLOVER OR FALLING OFF MAY CAUSE DEATH

- Read owner's manual and operating instructions.
- Fasten seat belts and remain seated while moving.
- Children requiring a child safety seat must not ride on vehicle.

Comply with state and local laws pertaining to child safety.

- Drive slowly in turns and straight up and down slopes.
- Do not start vehicle until all occupants are seated.
- Two (2) persons per bench seat maximum.
- One (1) person per bucket seat maximum.
- Operate from driver side only and not on public roads.
- Keep entire body inside vehicle while moving.
- Do not operate while under the influence of alcohol or drugs.
- Never attempt jumps and avoid extreme braking in reverse.

CCI 10284301

UNDER 16

WARNING

YOUNG DRIVERS INCREASE CHANCE OF DEATH

- Young drivers may not be able to control vehicle.
- No drivers younger than 16 years old.
- Do not leave children unattended on vehicle.

CCI 10284301

WARNING

- Do not modify or remove Rollover Protective Structure (ROPS).
- Replace ROPS if damaged. Do not attempt repair.
- Use seat belts during operation. Do not jump from vehicle.
- Keep away from drop-offs, steep slopes, and unstable surfaces.

CCI 10284301

WARNING

CAN CAUSE SEVERE INJURY
Rotating parts, KEEP CLEAR.

CCI 102460201

NOTICE

MAXIMUM TONGUE WEIGHT - 150 lbs.

CCI 1011553

WARNING

FALLING OFF COULD RESULT IN SEVERE INJURY OR DEATH

- Fasten seat belt and remain seated while moving.
- One (1) person per bucket seat maximum.
- Do not leave children unattended on vehicle at any time.
- Two (2) persons per bench seat maximum.
- Never drive in front of or behind vehicle.

CCI 101609401

WARNING

CRUSH AREA

STAY CLEAR

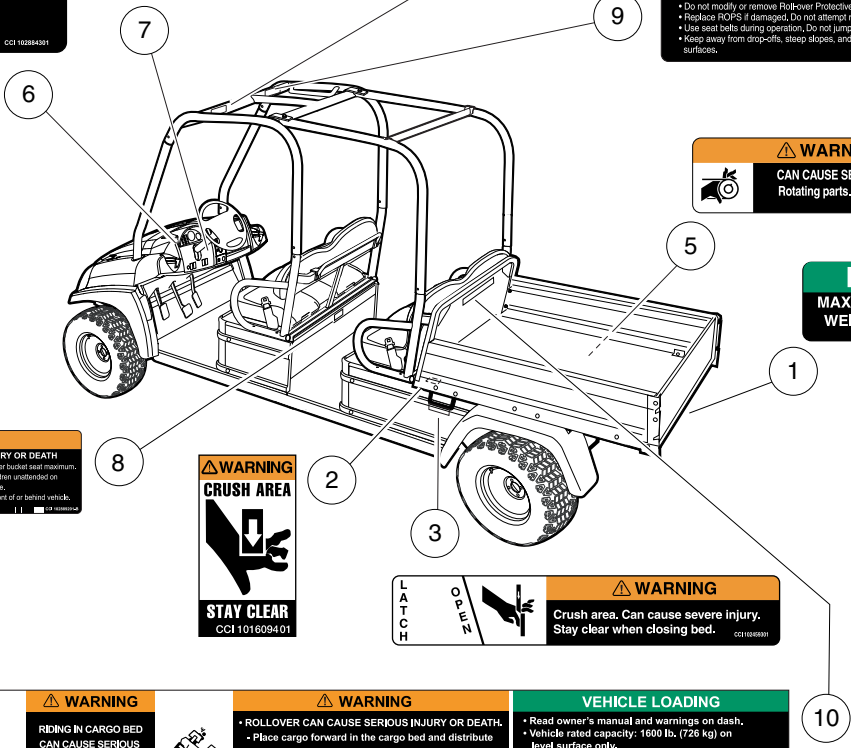
CCI 101609401

WARNING

Crush area. Can cause severe injury. Stay clear when closing bed.

CCI 101609401

<p>WARNING</p> <p>RIDING IN CARGO BED CAN CAUSE SERIOUS INJURY OR DEATH.</p> <ul style="list-style-type: none"> • Do not ride in cargo bed. 	<p>WARNING</p> <p>ROLLOVER CAN CAUSE SERIOUS INJURY OR DEATH.</p> <ul style="list-style-type: none"> • Place cargo forward in the cargo bed and distribute evenly side to side. Secure load. • On uneven or steep terrain, reduce speed and load. • Avoid stopping on or backing down steep hills. • Avoid top-heavy loads. 	<p>VEHICLE LOADING</p> <ul style="list-style-type: none"> • Read owner's manual and warnings on dash. • Vehicle rated capacity: 1600 lb. (726 kg) on level surface only. • Includes occupants and cargo load. • Maximum cargo load: 800 lb. (363 kg). • Includes cargo, bed load, optional equipment, and trailer tongue weight. <p>103219501</p>
--	---	---



2706

SAFETY DECALS – CARRYALL AND XRT 4-PASSENGER, CONTINUED

ITEM	PART NO.	DESCRIPTION	QTY
		1 2 3 4	
1	1011553	Decal, Trailer Hitch	1
2	101609401	Decal, Crush Area Warning	2
3	102459301	Decal, Bed Crush Area Warning	1
4	102459401	Decal, Young Driver Warning	1
5	102460201	Decal, Rotating Parts Warning	2
6	102884301	Decal, Operating Instr, AWD	1
7	102884401	Decal, Warning, Rollover	1
8	102889201	Decal, Warning, Passenger	1
9	102961201	Decal, Warning, AWD ROPS	1
10	103210501	Decal, Load, Vehicle, 3350 Lbs	1

3

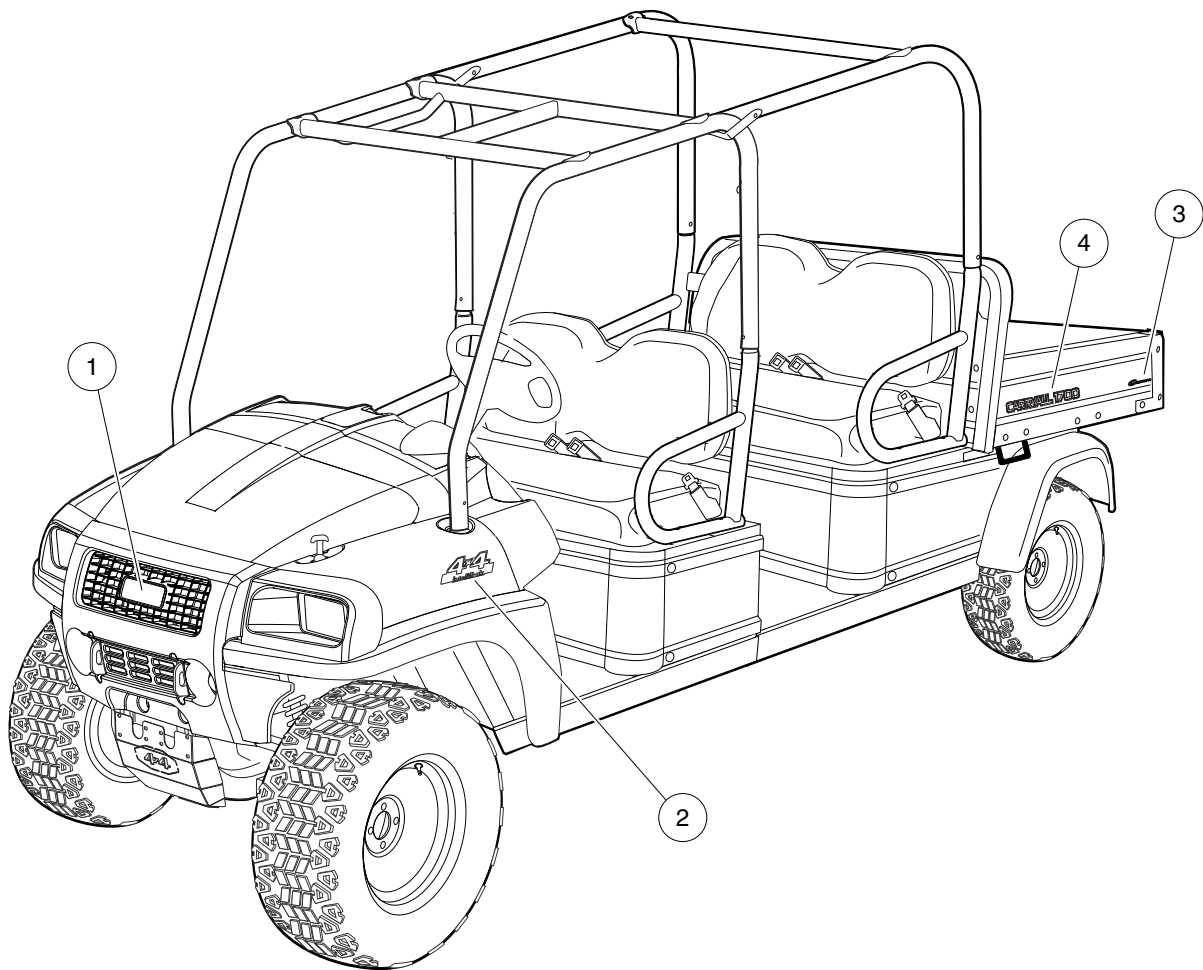
G

D

3

G

D



000547-007

BADGING DECALS – CARRYALL 4-PASSENGER

ITEM	PART NO.	DESCRIPTION	QTY
		1 2 3 4	
1	102883601	Decal, Nameplate, CCI, Front	1
2	103234201	Decal, Badge, 4x4	2
3	103234304	Decal, Badge, Ir, Red	2
4	105200601	Decal, Badge, CA1700	2

3

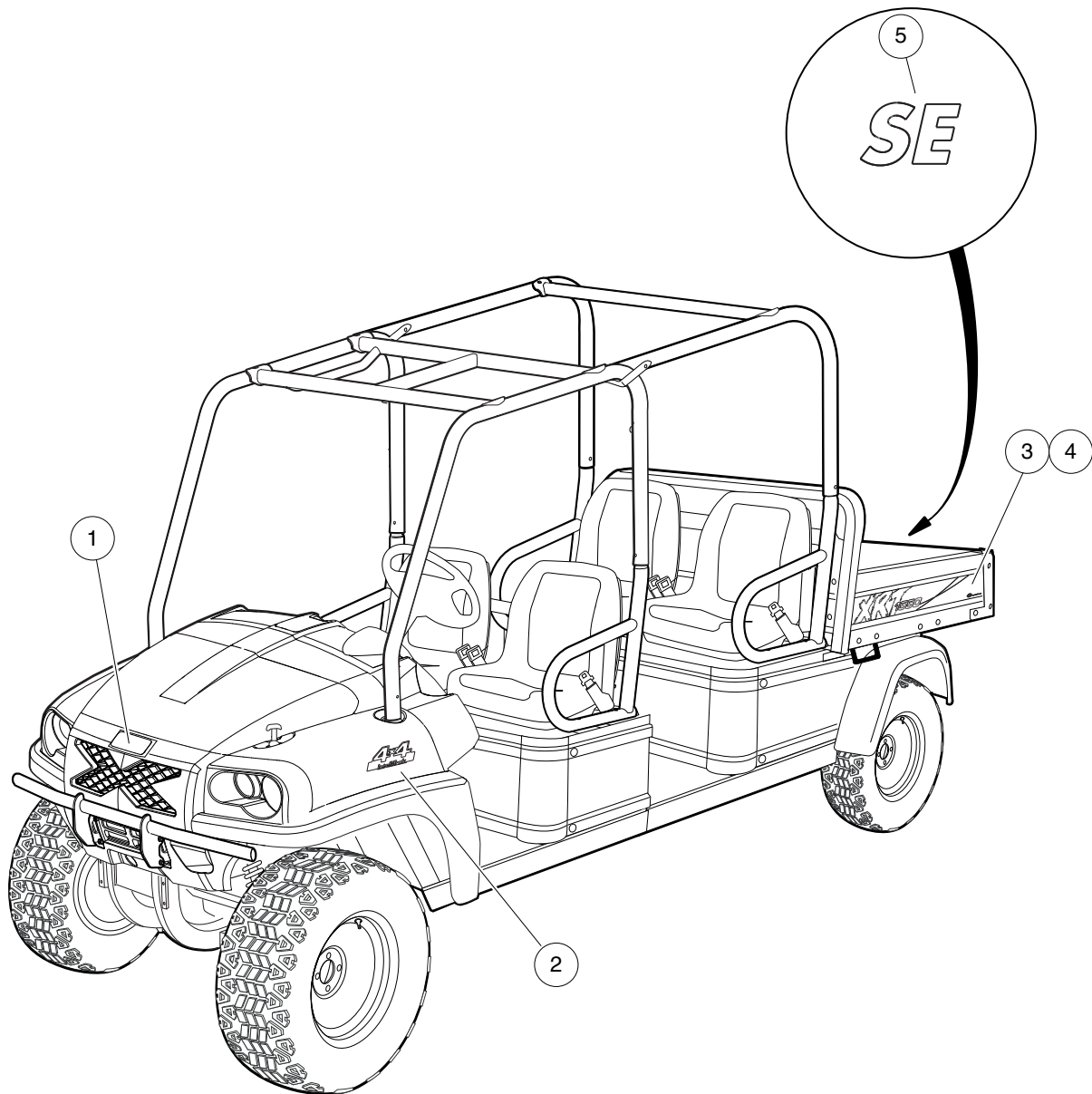
G

D

3

G

D



000547-006

BADGING DECALS – XRT 4-PASSENGER

ITEM	PART NO.	DESCRIPTION	QTY
		1 2 3 4	
1	102883601	Decal, Nameplate, CCI, Front	1
2	103234201	Decal, Badge, 4x4	2
3	103945601	Decal, Side, Bed, 1550, Ds	1
4	103945602	Decal, Side, Bed, 1550, Ps	1
5	103945701	Decal, Se	1

3

G

D

3

G

D

WARNING
CAN CAUSE SEVERE INJURY
Rotating parts. KEEP CLEAR.
CCI 102459201

14 psi / 97 kPa

 2384 SW 7100 RP

WARNING

DIESEL FUEL EXPLOSION / FIRE.
 • Can cause severe injury or death.
 • No smoking, sparks, or open flame.
 • Stop engine, allow to cool before refueling.
 CCI 102459201

OPERATING INSTRUCTIONS

- Read owner's manual, HANDBOOK, and vehicle safety warnings. Study and understand controls.

TO START ENGINE

- Place shift lever in NEUTRAL (N) and press brake pedal.
- If required, turn key to PREHEAT and hold for 10-15 seconds.
- Turn key to START and hold until engine starts.

TO OPERATE VEHICLE

- Ensure wheels are turned in desired direction and path is clear.
- Raise attachment to provide adequate ground clearance.
- With vehicle stopped and engine at idle, select vehicle direction.
 ↑ - Forward N - Neutral ↓ - Reverse (Buzzer will sound)
- Release park brake and slowly press accelerator pedal to increase speed.
- All-wheel drive will automatically drive appropriate wheel(s).

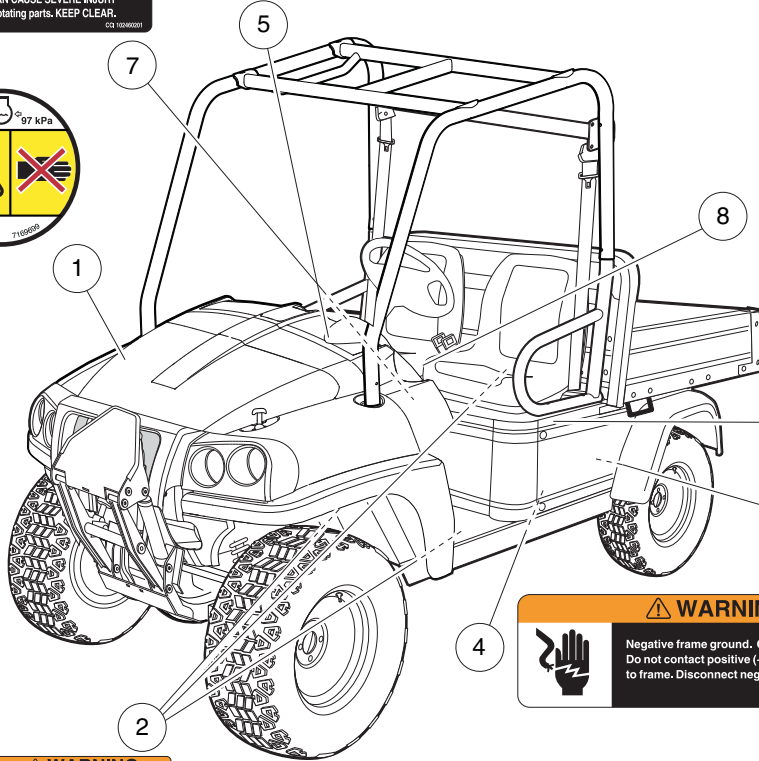
TO STOP VEHICLE

- Release accelerator pedal and push brake pedal.

BEFORE LEAVING VEHICLE

- Lower attachment arm until attachment is flat on the ground.
- Turn key to OFF and remove key.
- Place shift lever in NEUTRAL (N).
- Firmly set park brake.

CCI 103185701



WARNING
CAN CAUSE SEVERE INJURY

HOT manifold
 KEEP CLEAR
 CCI 102459001

WARNING

 Negative frame ground. Can cause severe injury. Do not contact positive (+) battery post or cable to frame. Disconnect negative (-) battery cable first.
 CCI 102459101

WARNING
CAN CAUSE SEVERE BURNS
Hot Surface
CCI 102458901

WARNING
CAN CAUSE SEVERE INJURY
Rotating parts. KEEP CLEAR.
CCI 102459501

WARNING
CAN CAUSE SEVERE INJURY
Hot manifold and muffler. KEEP CLEAR.
CCI 102459501

3010

SAFETY DECALS – INTELLITACH

ITEM	PART NO.	DESCRIPTION	QTY
		1 2 3 4	
1	102427501	Cap, Radiator	1
2	102458901	Decal, Hot Surface Warning	3
3	102459001	Decal, Hot Manifold Warning	1
4	102459101	Decal, Frame Ground Warning	1
5	102459201	Decal, Diesel Explosion/Fire Warning	1
6	102459501	Decal, Rotating Parts and Hot Exhaust Warning	1
7	102460201	Decal, Rotating Parts Warning	1
8	103188701	Decal, Operator Instructions, Intellitach	1

3

G

D

3

G

D

WARNING

ROLLOVER OR FALLING OFF MAY CAUSE DEATH

- Read owner's manual and HANDBOOK.
- Fasten seat belts and remain seated while moving.
- Children requiring a child safety seat must not ride on vehicle.
- Comply with state and local laws pertaining to child safety.
- Drive slowly in turns and straight up and down slopes.
- Do not start vehicle until all occupants are seated.
- One (1) person per bucket seat maximum.
- Operate from driver side only and not on public roads.
- Keep entire body inside vehicle while moving.
- Do not operate while under the influence of alcohol or drugs.
- Never attempt jumps and avoid extreme braking in reverse.

ATTACHMENT ARM CAN CAUSE SEVERE INJURY OR DEATH

- Keep bystanders away.
- Keep hands and body from under attachment.
- Always carry attachment as low as possible.
- Do not exceed attachment arm rated capacity.
- Do not modify the attachment arm or attachments.
- Before leaving vehicle, lower attachment arm until attachment is flat on the ground.

CCI 10318801

UNDER 16

WARNING

YOUNG DRIVERS INCREASE CHANCE OF DEATH

- Young drivers may not be able to control vehicle.
- No drivers younger than 16 years old.
- Do not leave children unattended on vehicle.

CCI 10309401

WARNING

- Do not modify or remove Roll-over Protective Structure (ROPS).
- Replace ROPS if damaged. Do not attempt repair.
- Use seat belts during operation. Do not jump from vehicle.
- Keep away from drop-offs, steep slopes, and unstable surfaces.

CCI 102561201

WARNING

Crush area. Can cause severe injury. Stay clear when closing bed.

CCI 10256001

FULLY ENGAGE LOCKING LEVER

LEVER

PINS MUST EXTEND THROUGH MOUNTING FRAME HOLES

CCI 10256001

WARNING

CAN CAUSE SEVERE INJURY

Rotating parts. KEEP CLEAR.

CCI 10256001

NOTICE

MAXIMUM TONGUE WEIGHT - 150 lbs.

CCI 1011553

WARNING

CRUSH AREA

STAY CLEAR

CCI 101029401

WARNING

HIGH PRESSURE FLUIDS COULD CAUSE SERIOUS INJURY OR DEATH

- Read maintenance and service manual before performing repairs on hydraulic system.
- Do not attempt to repair hydraulic pump or lines while engine or pump is in operation.
- Relieve pressure before disconnecting hydraulic lines or fittings.

1022950601

WARNING

RIDING IN CARGO BED CAN CAUSE SERIOUS INJURY OR DEATH.

- Do not ride in cargo bed.

WARNING

ROLLOVER CAN CAUSE SERIOUS INJURY OR DEATH.

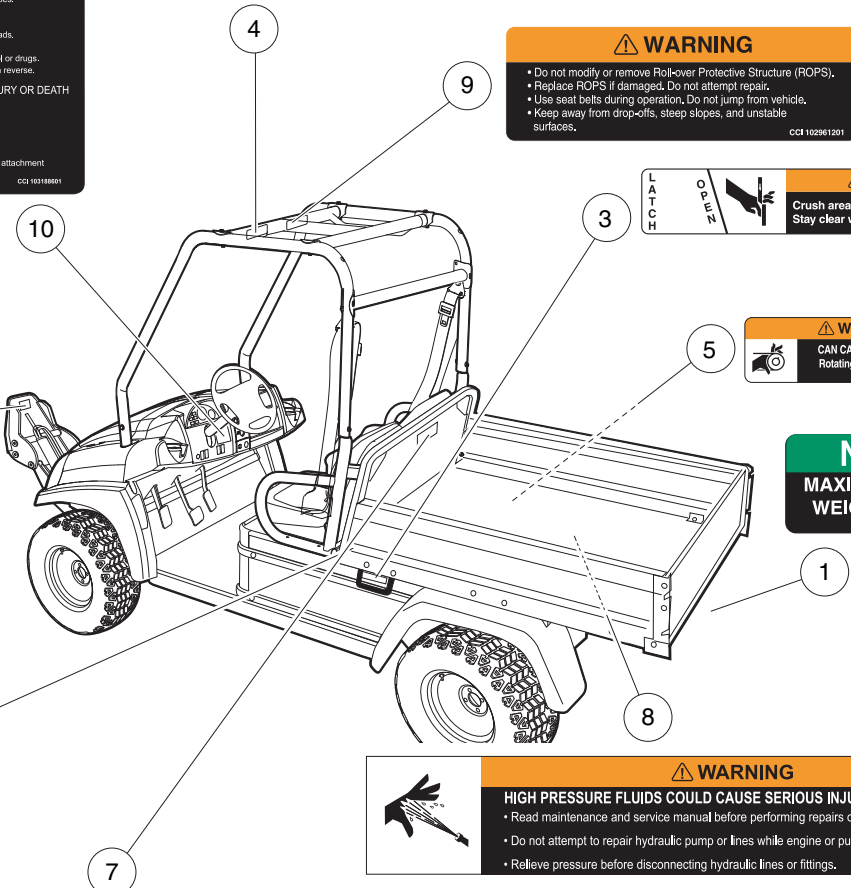
- Place cargo forward in the cargo bed and distribute evenly side to side. Secure load.
- On uneven or steep terrain, reduce speed and load.
- Avoid stopping on or backing down steep hills.
- Avoid top-heavy loads.

VEHICLE LOADING

- Read owner's manual, HANDBOOK, and warnings on dash.
- Vehicle rated capacity: 1500 lbs. (684 kg) on level surface only.
- Includes occupants and cargo load.
- Maximum attachment arm load: 500 lbs. (227 kg).
- Includes attachment weight and attachment load.

- Maximum cargo load: 800 lbs. (363 kg).
- Includes cargo, bed load, attachment arm load, optional equipment, and trailer tongue weight.

102301001



SAFETY DECALS – INTELLITACH, CONTINUED

ITEM	PART NO.	DESCRIPTION	QTY
		1 2 3 4	
1	1011553	Decal, Trailer Hitch	1
2	101609401	Decal, Crush Area Warning	2
3	102459301	Decal, Bed Crush Area Warning	1
4	102459401	Decal, Young Driver Warning	1
5	102460201	Decal, Rotating Parts Warning	2
6	N/A	Decal, Attachment Locking	1
7	102930801	Decal, Loading, Intellitach	1
8	102950601	Decal, Hydra Pump	1
9	102961201	Decal, Warning, AWD ROPS	1
10	103188601	Decal, Warn, Rollover & Attach	1

3

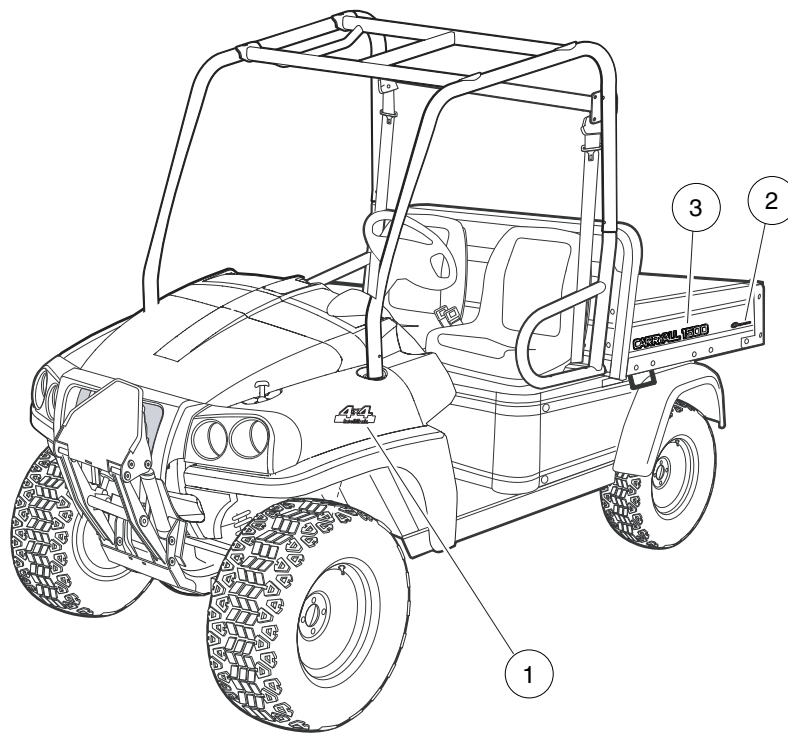
G

D

3

G

D



000562-008

BADGING DECALS – CARRYALL INTELLITACH

ITEM	PART NO.	DESCRIPTION	QTY
		1 2 3 4	
1	103234201	Decal, Badge, 4x4	2
2	103234304	Decal, Badge, Ir, Red	2
3	105200501	Decal, Badge, CA1500	2

3

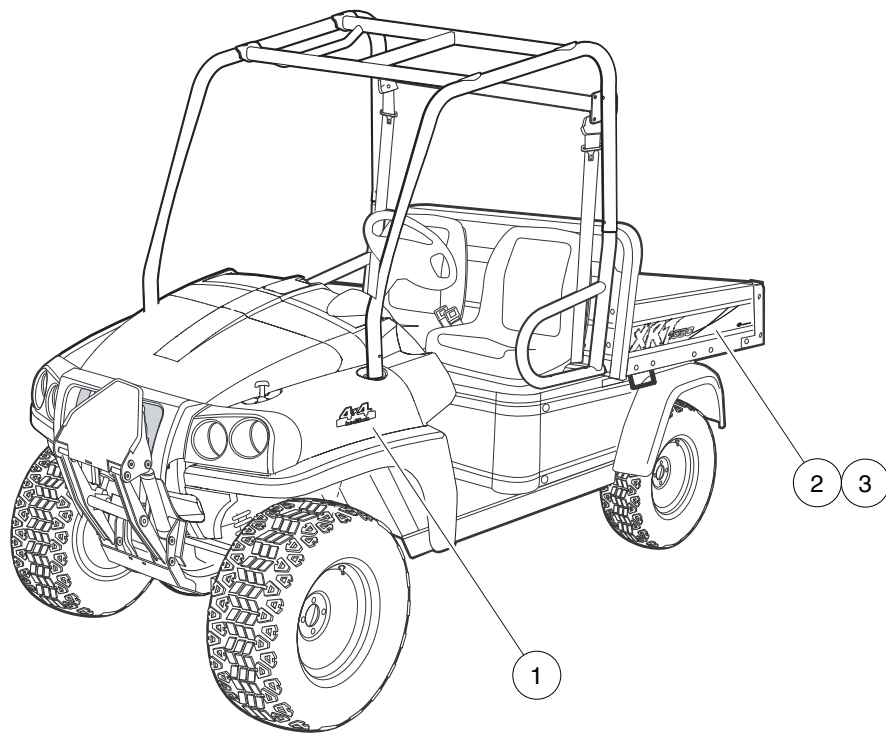
G

D

3

G

D



000562-007

BADGING DECALS – XRT INTELLITACH

ITEM	PART NO.	DESCRIPTION	QTY
		1 2 3 4	
1	103234201	Decal, Badge, 4x4	2
2	103945601	Decal, Side, Bed, 1550, Ds	1
3	103945602	Decal, Side, Bed, 1550, Ps	1

3

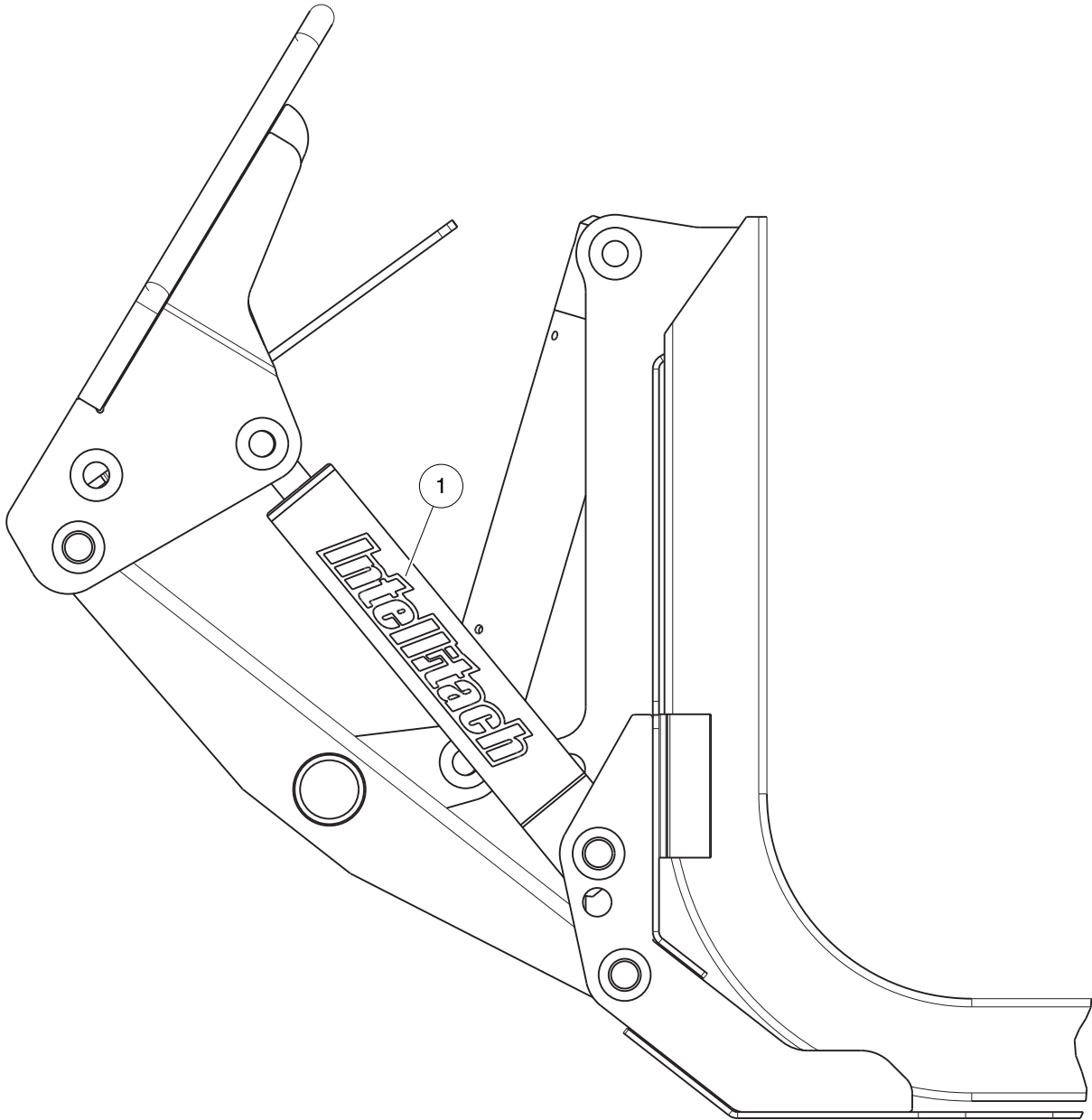
G

D

3

G

D



000562-006

BADGING DECALS – INTELLITACH

ITEM	PART NO.	DESCRIPTION	QTY
1	102925601	1 2 3 4 Decal, Brand, IntelliTach	1

3

G

D

3

G

D

BRAKE SYSTEMS AND PEDALS – WITH SINGLE-PISTON FRONT CALIPERS

4

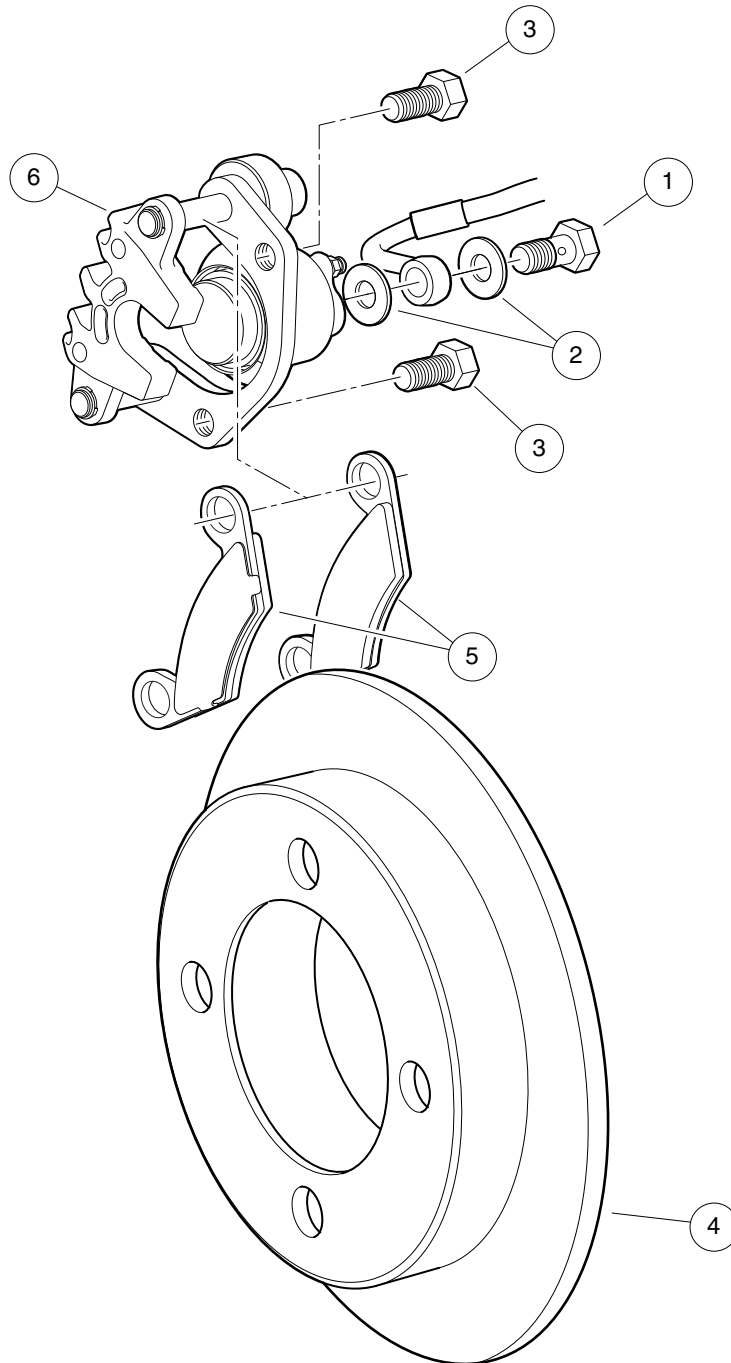
G

D

4

G

D



000067-003

FRONT BRAKES

ITEM	PART NO.	DESCRIPTION	QTY
		1 2 3 4	
1	102488001	Bolt, Banjo, M10x1x19	2
2	102491601	Washer, Copper, M10 Crush	2
3	102493301	Bolt, Flange Head, 3/8-24x.750 with Loctite	4
4	103077501	Rotor, Disc, Brake	2
5	103160101	Kit, Brake Pad, 7646	1
6	103574301	Caliper, Brake, Front, w/pad 7646	2

4

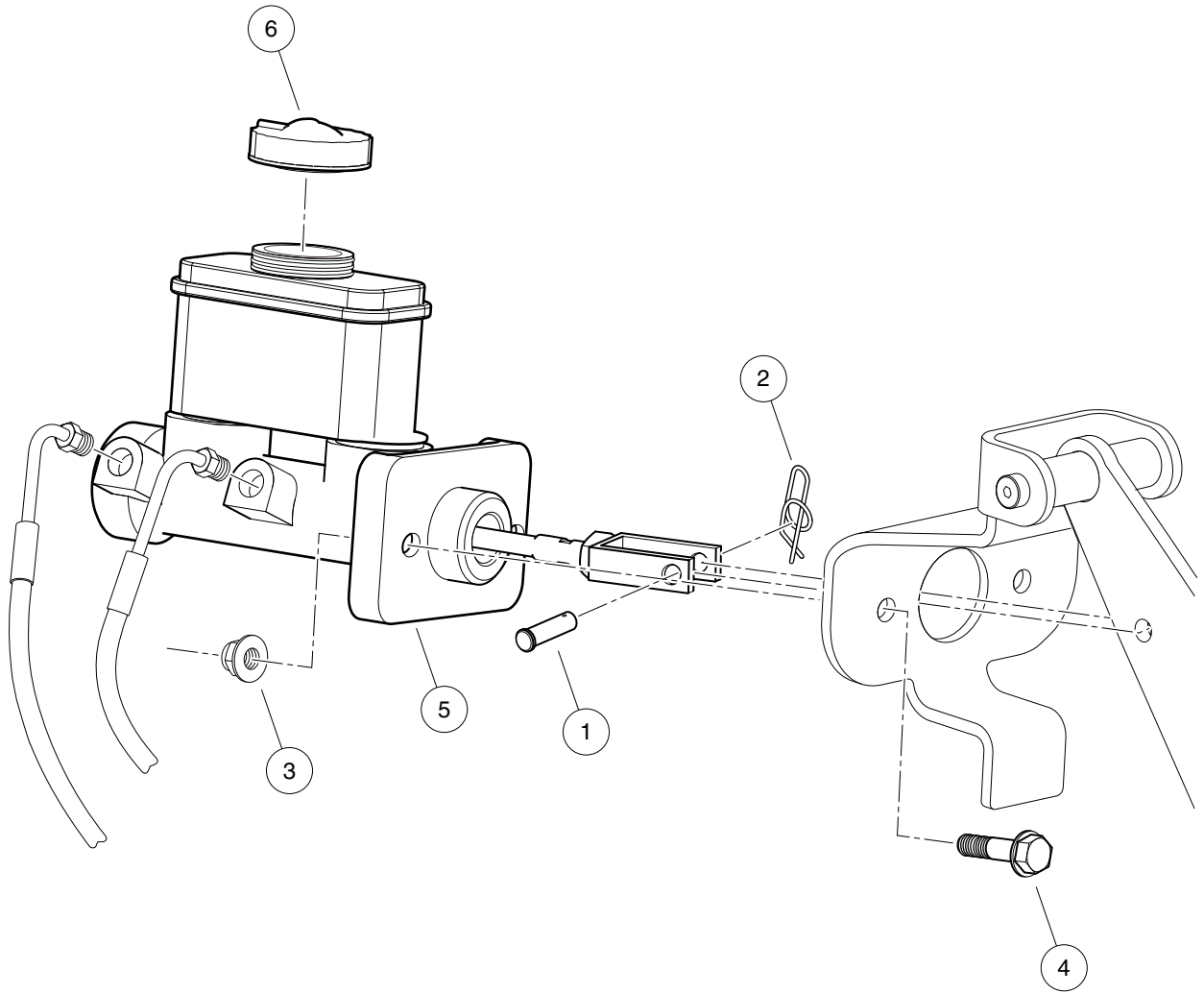
G

D

4

G

D



000792-001

MASTER CYLINDER WITH INTEGRAL RESERVOIR

ITEM	PART NO.	DESCRIPTION	QTY
		1 2 3 4	
1	101082903	Pin, Clevis, 5/16 X 1	1
2	102176901	Pin, Rue	1
3	102298401	Nut,m8,all Metal Lock	2
4	102618401	Bolt Flanged Head, M8 X 1.25 X 35	2
5	103376101	Cylinder, Master, Integral Res	1
6	103380701	Cap, Filler, Master Cylinder	1

4

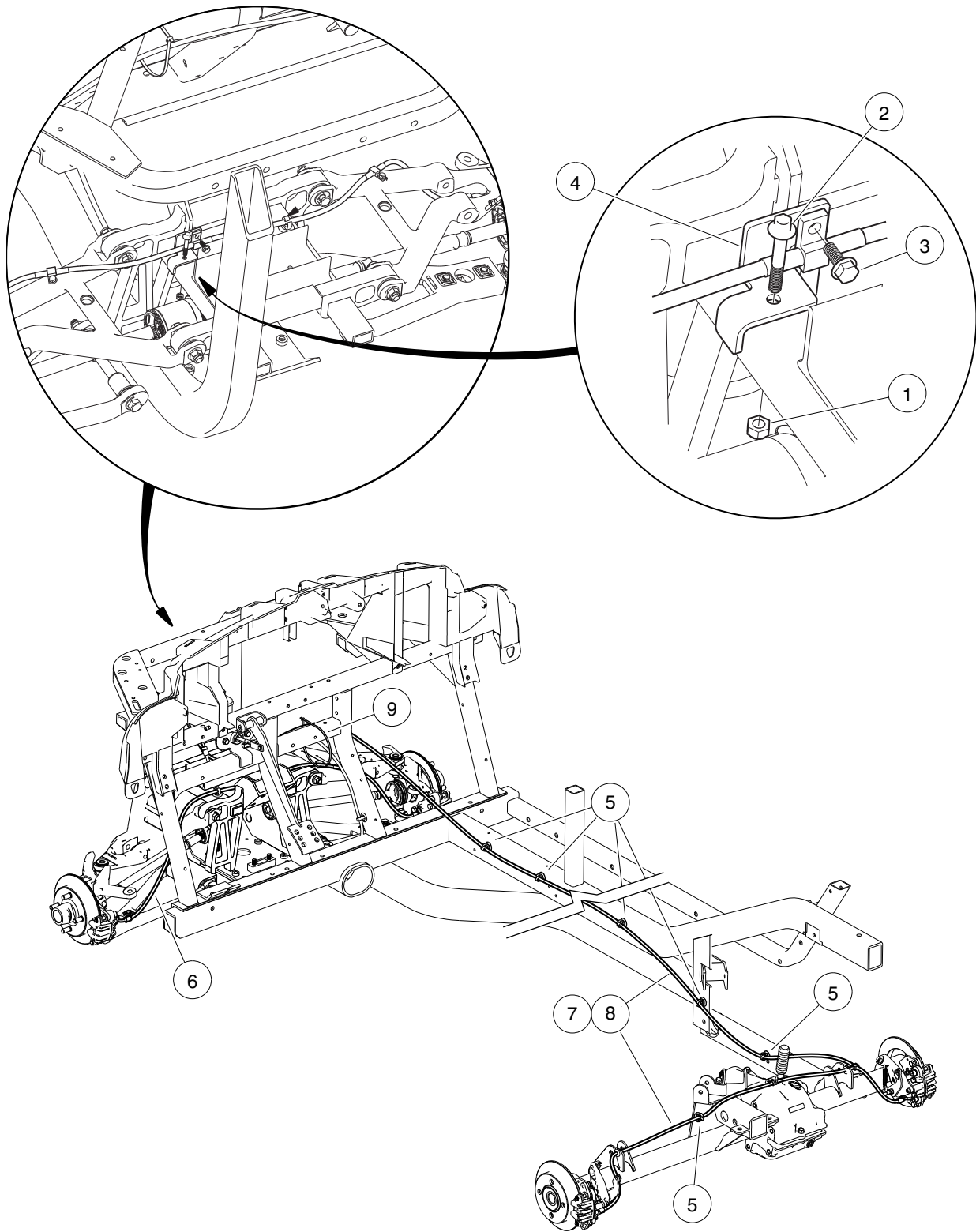
G

D

4

G

D



000015-007

HYDRAULIC BRAKE LINES AND CLIPS

ITEM	PART NO.	DESCRIPTION	QTY
		1 2 3 4	
1	101887601	Locknut, M6-1.00 Nylon Insert	1
2	102296140	Bolt, Flanged Head, M6x1.0x40	1
3	102296716	Screw, M6 X 16 Tt Hx Fl Hd	4
4	102474301	Bracket, Tee, Brakeline	1
5	102475701	Clip, Brake Line	9
6	103174302	Brake Line, Front, 295/295 SE/1550/1550 SE	1
7	103842501	Brake Line, Rear, 295/1550	1
8	103847101	Brake Line, Rear, Long, 295 SE/1550 SE	1
9	8639	Tie Wrap, 11" Nylon	1

4

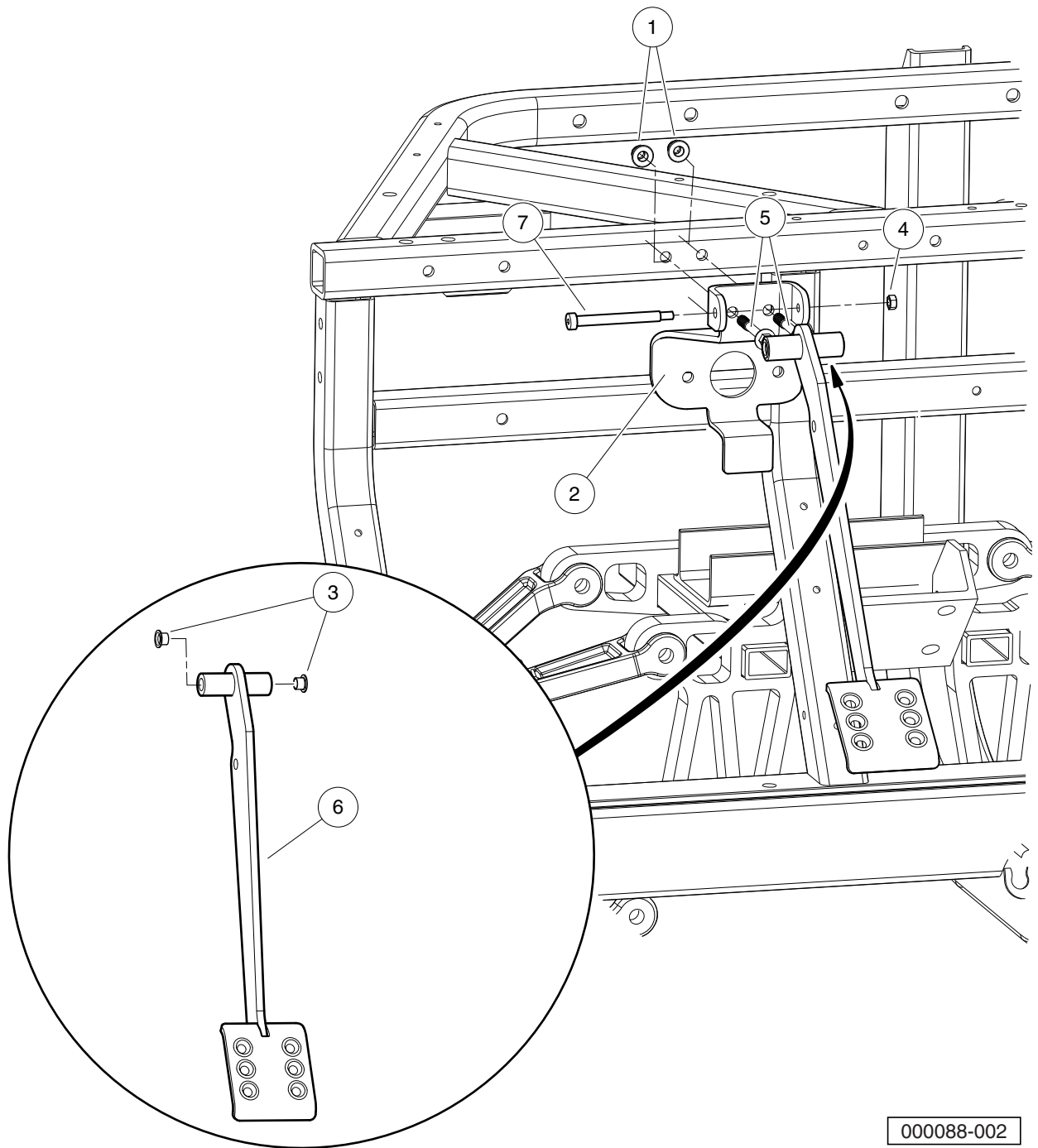
G

D

4

G

D



000088-002

BRAKE PEDAL

ITEM	PART NO.	DESCRIPTION	QTY
		1 2 3 4	
1	102298401	Nut,m8,all Metal Lock	2
2	102380601	Bracket, Pedal, Brake	1
3	102442901	Bushing, Greaseless	2
4	102618101	Nut, M6x1, Mechanically Deformed	1
5	102618301	Bolt, Flanged Head, M8 X 1.25 X 65	2
6	102626201	Weldment, Pedal, Brake, Hung	1
7	103273101	Bolt, Shoulder, M8 X 70, Hc	1

4

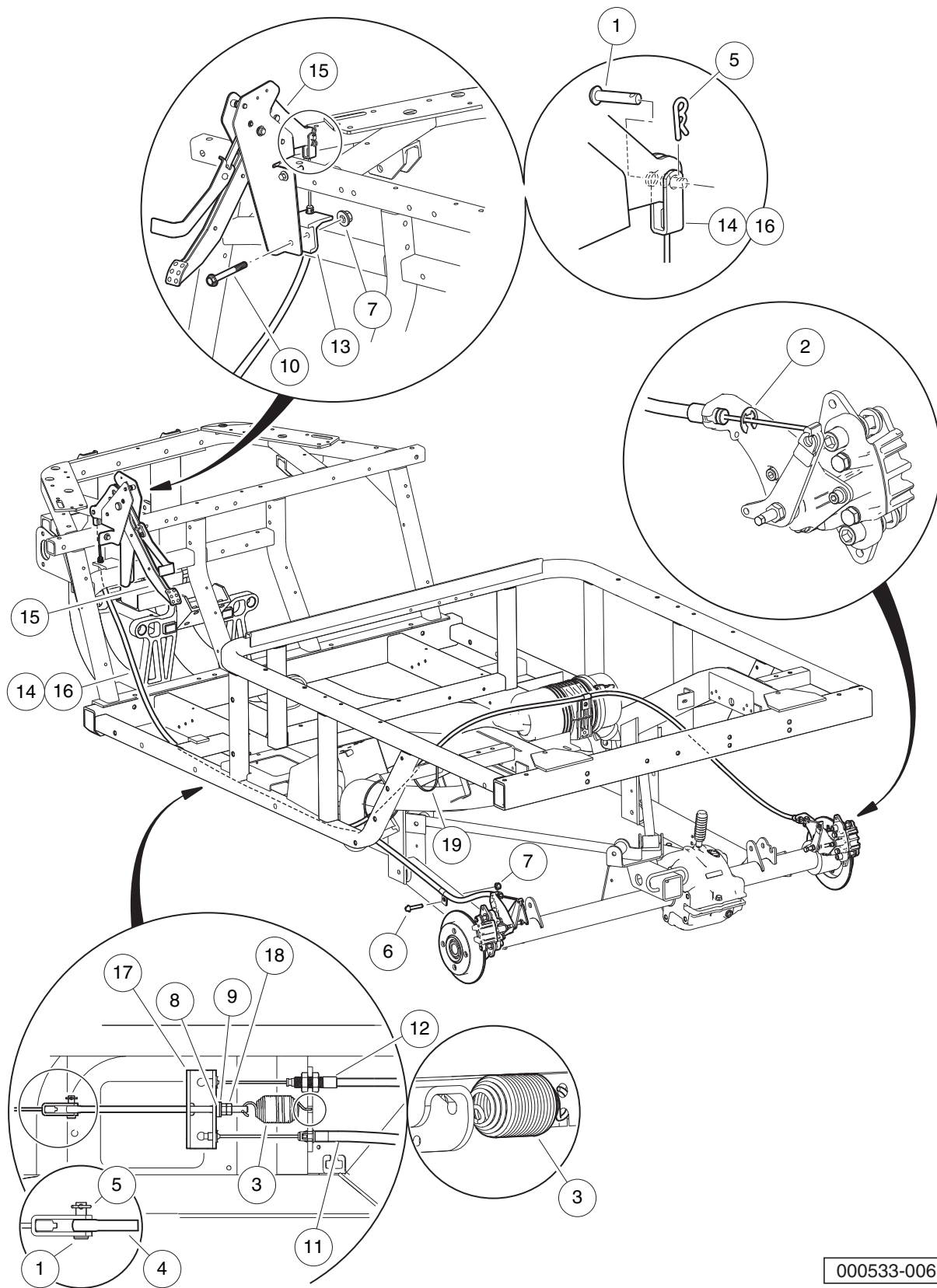
G

D

4

G

D



000533-006

PARK BRAKE SYSTEM

ITEM	PART NO.	DESCRIPTION	QTY
		1 2 3 4	
1	101082903	Pin, Clevis, 5/16 X 1	2
2	1011779	E-Clip, 1/2	2
3	1013531	Spring, Brake Return	1
4	101953101	Rod, Equalizer, 8.91"	1
5	102292801	Pin, Bow Tie Locking - .072	2
6	102298240	Bolt, Flange Head, M8-1.25 X 40	1
7	102298401	Nut,m8,all Metal Lock	4
8	102551901	Washer, 5/16, Self Comp, Cup	1
9	102552001	Washer, 5/16, Self Comp, Cone	1
10	102618301	Bolt, Flanged Head, M8 X 1.25 X 65	3
11	102763301	Cable, Noncoated, Pbrake, Left	1
12	102763401	Cable, Noncoated, Pbrake, Right	1
13	103500901	Bracket, Cable, Park Brake	1
14	103505301	Cable, Main Park Brake, 295/1550	1
15	103505401	Asm, Pedal, Park Brake	1
16	103529501	Cable, Main Park Brake, Long, 295 SE/1550 SE	1
17	103535001	Bracket, Equalizer, Prec Awd	1
18	1242	Nut, 5/16-18 Hex	2
19	8639	Tie Wrap, 11" Nylon	2

4

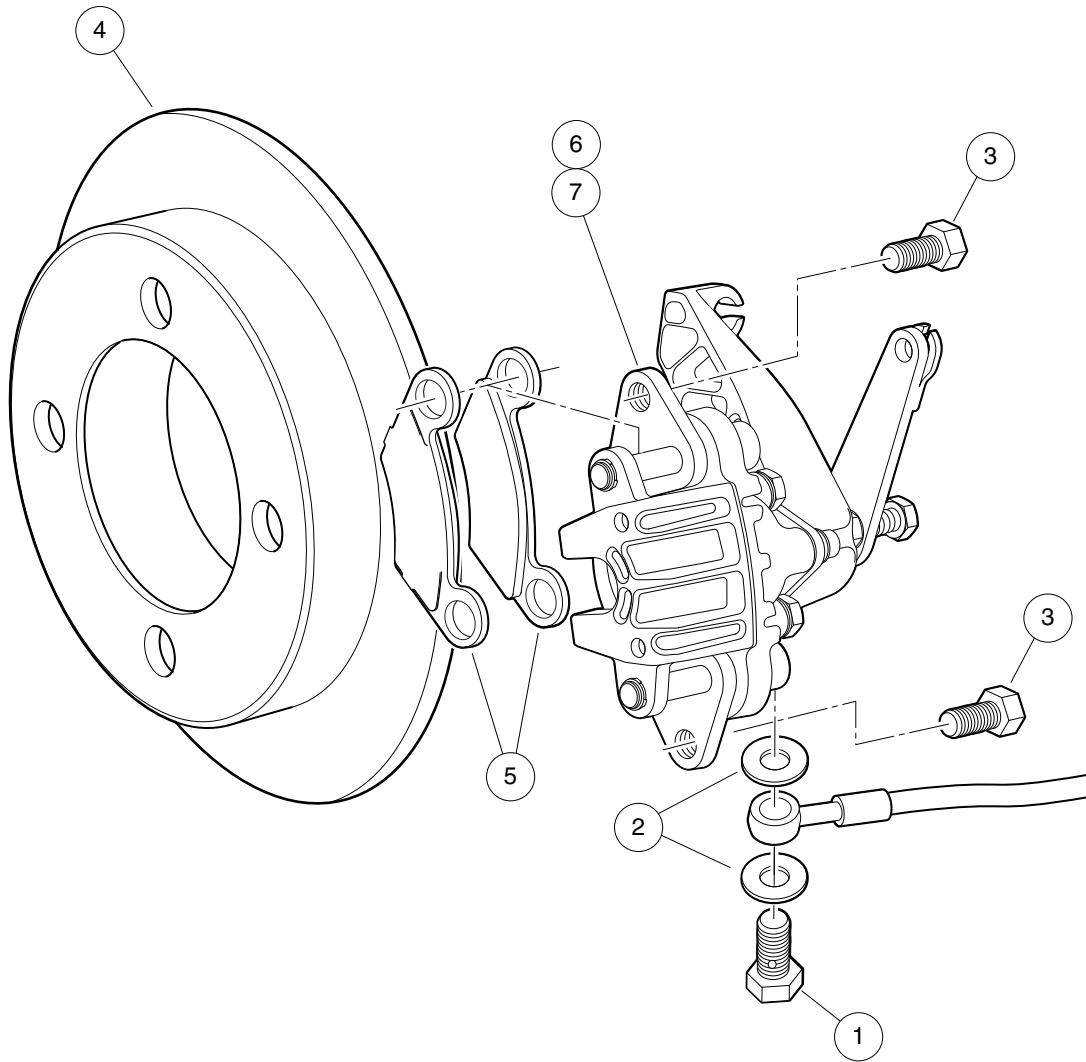
G

D

4

G

D



000068-005

REAR BRAKES

ITEM	PART NO.	DESCRIPTION	QTY
		1 2 3 4	
1	102488001	Bolt, Banjo, M10x1x19	2
2	102491601	Washer, Copper, M10 Crush	4
3	102493301	Bolt, Flange Head, 3/8-24x.750 with Loctite	4
4	103077501	Rotor, Disc, Brake	2
5	103160101	Kit, Brake Pad, 7646	1
6	103523602	Caliper, Brake, Rear, LH, 1550	1
7	103523702	Caliper, Brake, Rear, RH, 1550	1

4

G

D

4

G

D

BRAKE SYSTEMS AND PEDALS – WITH DUAL-PISTON FRONT CALIPERS

5

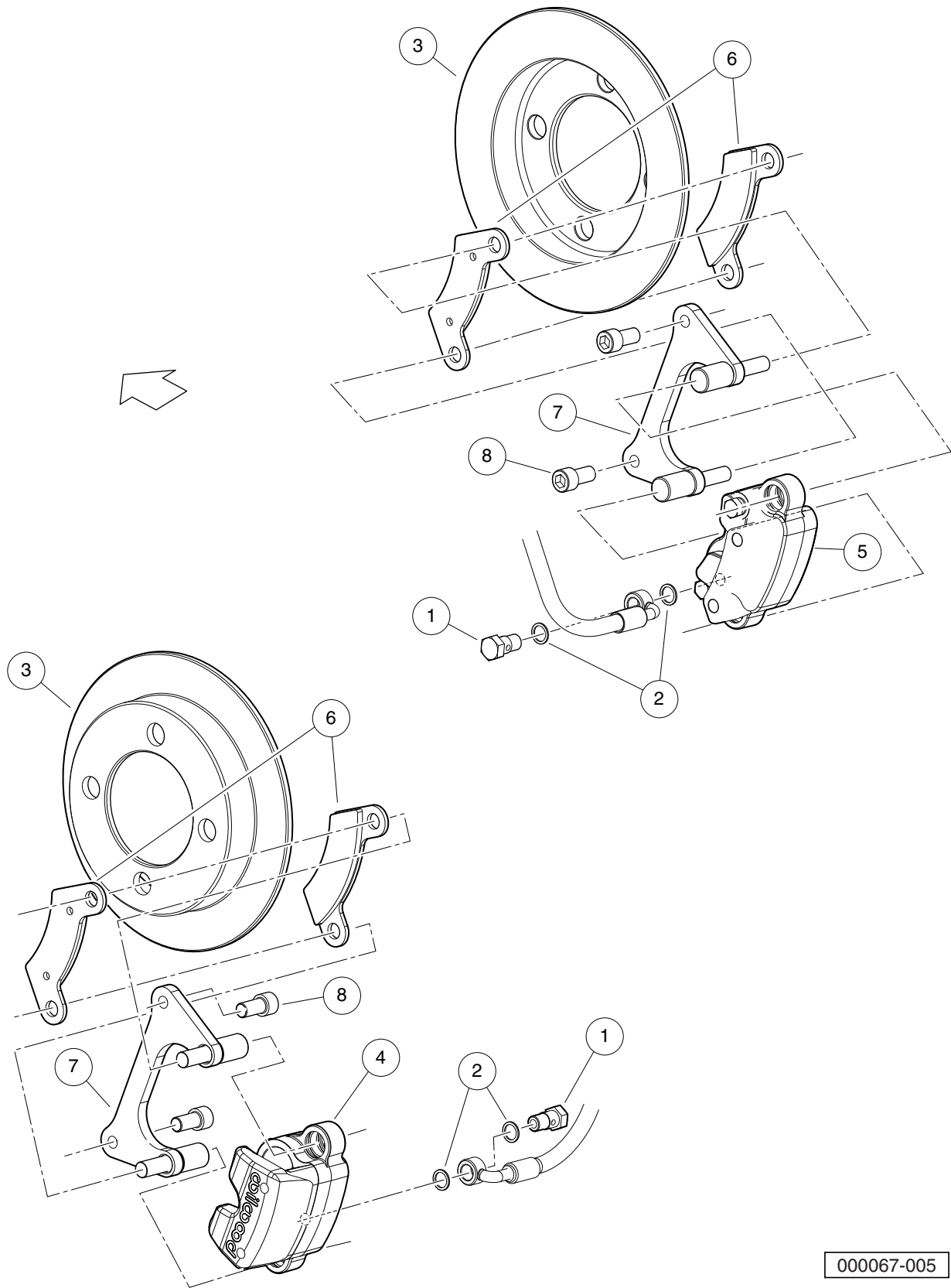
G

D

5

G

D



000067-005

FRONT BRAKES

ITEM	PART NO.	DESCRIPTION	QTY
		1 2 3 4	
1	102488001	Bolt, Banjo, M10x1x19	2
2	102491601	Washer, Copper, M10 Crush	4
3	103077501	Rotor, Disc, Brake	2
4	103967601	Caliper, Brake, Front, LH	1
5	103967602	Caliper, Brake, Front, RH	1
6	103993701	Brake Pad Set, Front (Four Pads)	1
7	103993801	Bracket, Caliper, Brake	2
8	104025201	Bolt, 3/8-24 x .75 SHCS, Patch	4
		<p>Note: 103967601 and 103967602 calipers are not compatible with MY2014 or earlier, and are specific to steering upright assemblies 105283703 and 105283704, which were introduced during MY 2015.</p>	

5

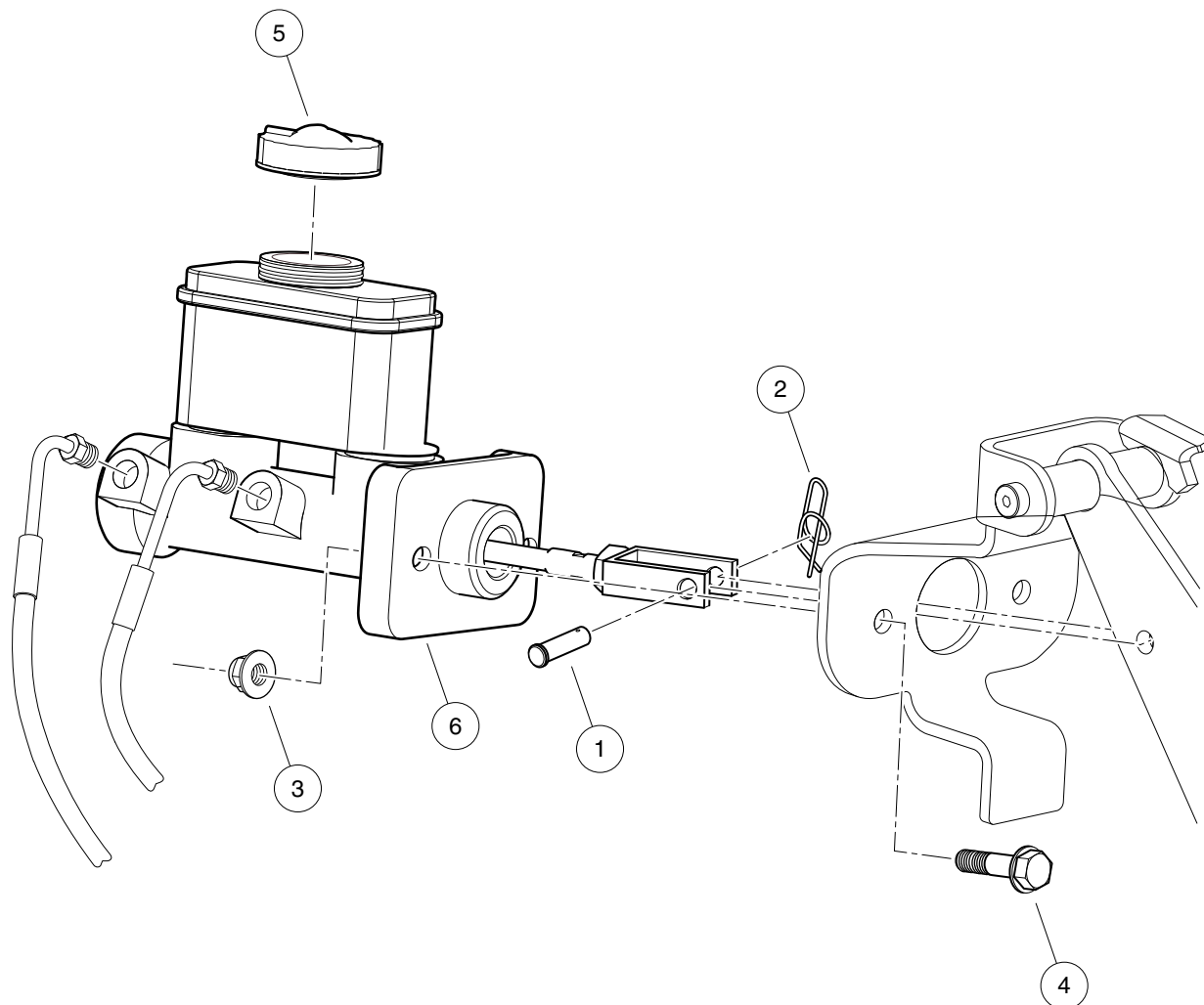
G

D

5

G

D



000792-002

MASTER CYLINDER WITH INTEGRAL RESERVOIR

ITEM	PART NO.	DESCRIPTION	QTY
		1 2 3 4	
1	101082903	Pin, Clevis, 5/16 X 1	1
2	102176901	Pin, Rue	1
3	102298401	Nut,m8,all Metal Lock	2
4	102618401	Bolt Flanged Head, M8 X 1.25 X 35	2
5	103380701	Cap, Filler, Master Cylinder	1
6	103987001	Cylinder,Master,7/8 Bore	1

5

G

D

HYDRAULIC BRAKE LINES AND CLIPS

ITEM	PART NO.	DESCRIPTION	QTY
		1 2 3 4	
1	101887601	Locknut, M6-1.00 Nylon Insert	1
2	102296140	Bolt, Flanged Head, M6x1.0x40	1
3	102296716	Screw, M6 X 16 Tt Hx Fl Hd	3
4	102474301	Bracket, Tee, Brakeline	1
5	102670801	Screw, M6 X 1 X 25 Thd Form	1
6	103967201	Brake Line, Front, AWD	1
7	103967301	Brake Line, Rear, AWD	1
8	103967401	Brake Line, Mid, AWD Std	1
9	103967501	Brake Line, Mid, AWD SE	1
10	103973101	Clip, Snap-close 10mm	8

5

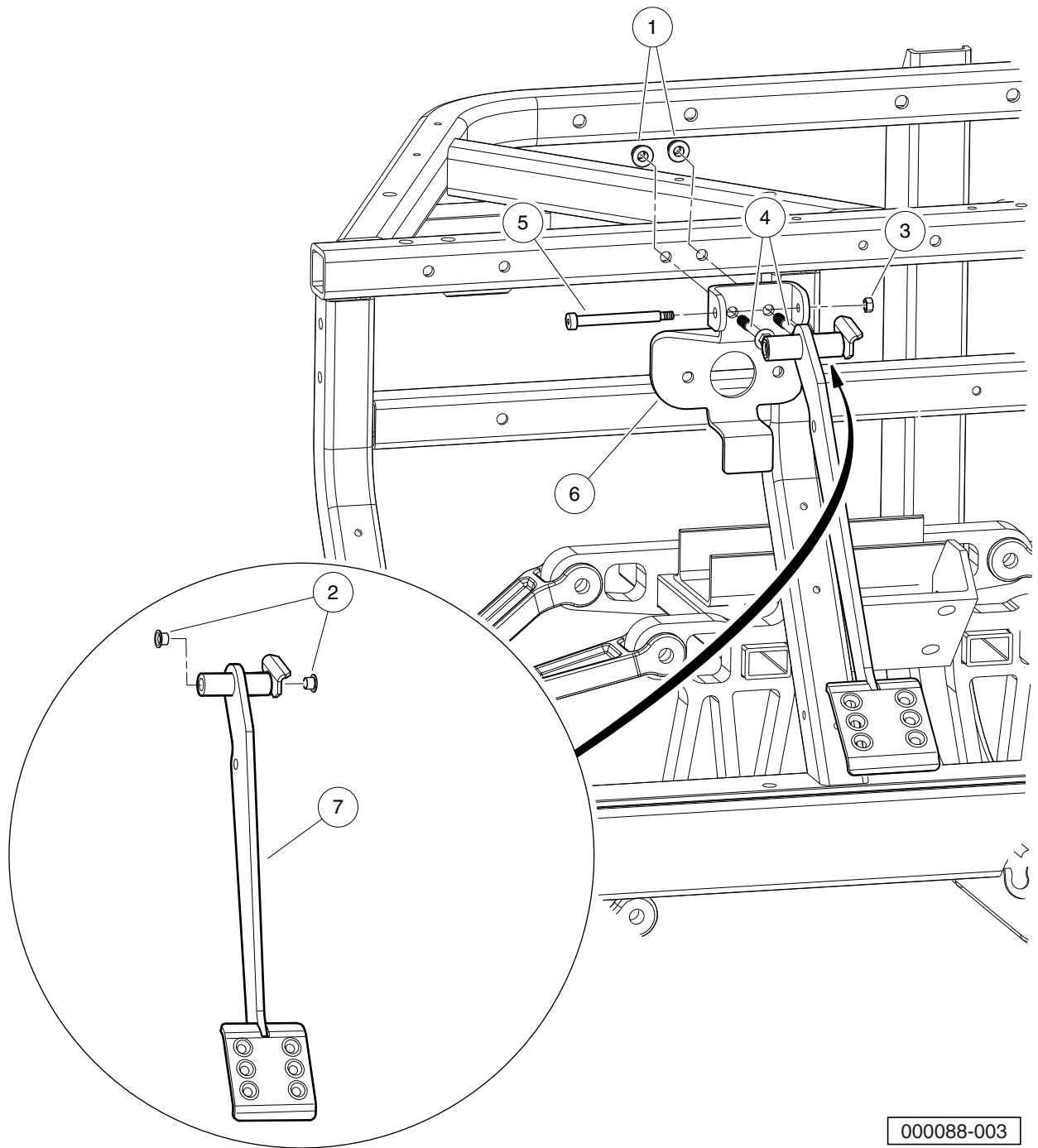
G

D

5

G

D



000088-003

BRAKE PEDAL

ITEM	PART NO.	DESCRIPTION	QTY
		1 2 3 4	
1	102298401	Nut,m8,all Metal Lock	2
2	102442901	Bushing, Greaseless	2
3	102618101	Nut, M6x1, Mechanically Deformed	1
4	102618301	Bolt, Flanged Head, M8 X 1.25 X 65	2
5	103273101	Bolt, Shoulder, M8 X 70, Hc	1
6	103986601	Bracket, Mtg, Brake Pedal	1
7	103986901	Pedal, Brake	1

5

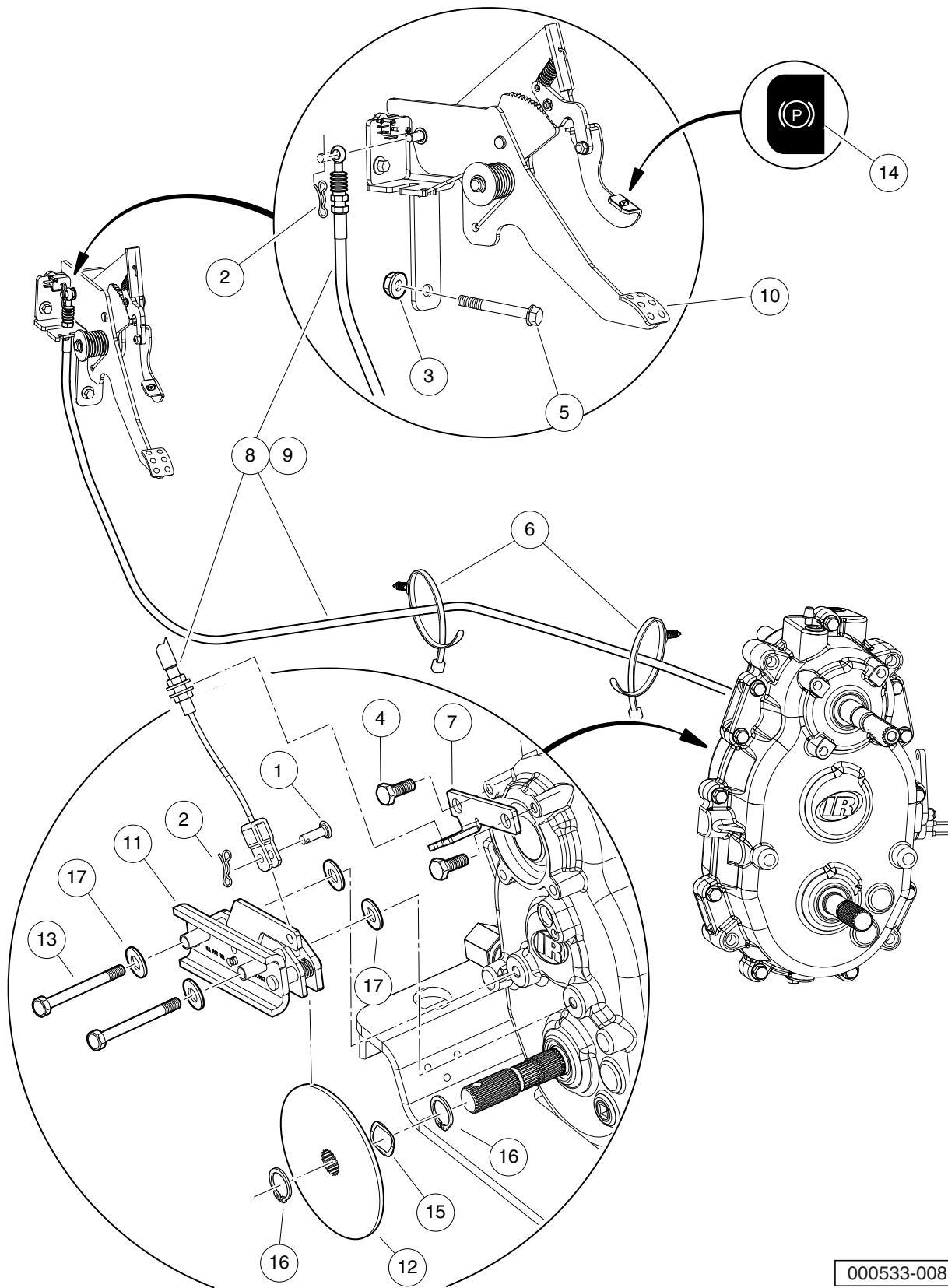
G

D

5

G

D



000533-008

PARK BRAKE SYSTEM

ITEM	PART NO.	DESCRIPTION	QTY
		1 2 3 4	
1	101082903	Pin, Clevis, 5/16 X 1	1
2	102292801	Pin, Bow Tie Locking - .072	2
3	102298401	Nut,m8,all Metal Lock	3
4	102490101	Bolt, M10 X 1.5 X 20 Loctite	2
5	102618301	Bolt, Flanged Head, M8 X 1.25 X 65	3
6	102629001	Tie Wrap, 8.00" With Mount	2
7	103968401	Bracket, Park Brake	1
8	103968501	Cable, Park Brake, 1500/1550	1
9	103968601	Cable, Park Brake, 1700/1550 SE	1
10	103968701	Pedal, Foot, Park Brake	1
11	103968801	Caliper, Mech, Park Brake	1
12	103968902	Rotor, Park Brake	1
13	103983301	M10-1.5 X 90 Hh Ft Pc 8.8 Zidi	2
14	103986501	Decal, Brake, Park	1
15	104005601	Spring,Wave,0.96-in ID	1
16	104005701	Ring, Snap, Ext, 63/64-in	2
17	96741046	Washer, M10, Hard	4

5

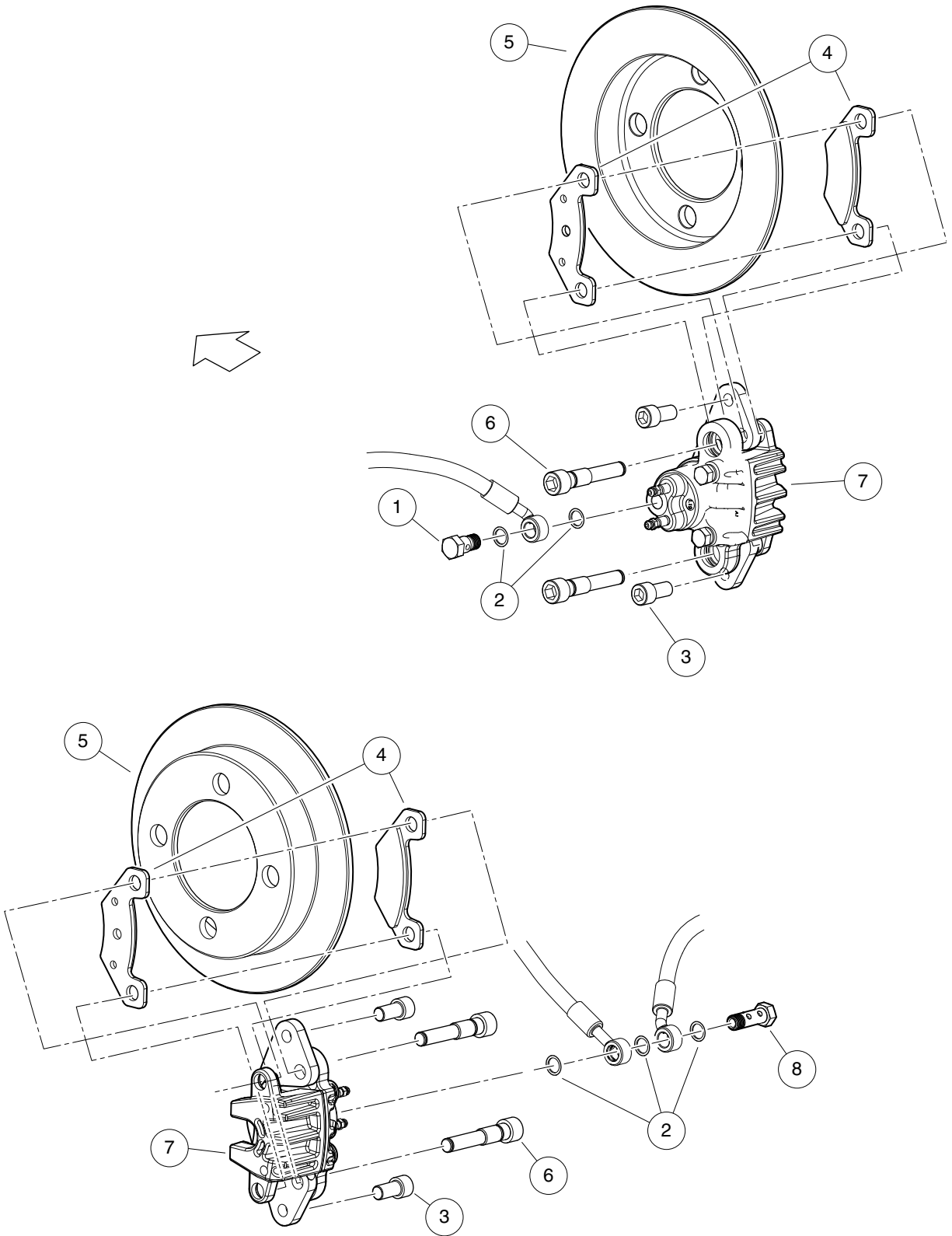
G

D

5

G

D



000068-006

REAR BRAKES

ITEM	PART NO.	DESCRIPTION	QTY
		1 2 3 4	
1	102488001	Bolt, Banjo, M10x1x19	1
2	102491601	Washer, Copper, M10 Crush	4
3	102493301	Bolt, Flange Head, 3/8-24x.750 with Loctite	4
4	102714001	Brake Pad Set, Rear (Four Pads)	1
5	103077501	Rotor, Disc, Brake	2
6	103418801	Pin, Slide, 7/16	4
7	103967701	Caliper, Brake, Rear	2
8	103967901	Bolt, Banjo, Double, M10 X 1	1

5

G

D

5

G

D

STEERING AND SUSPENSION – WITH SINGLE-PISTON FRONT CALIPERS

6

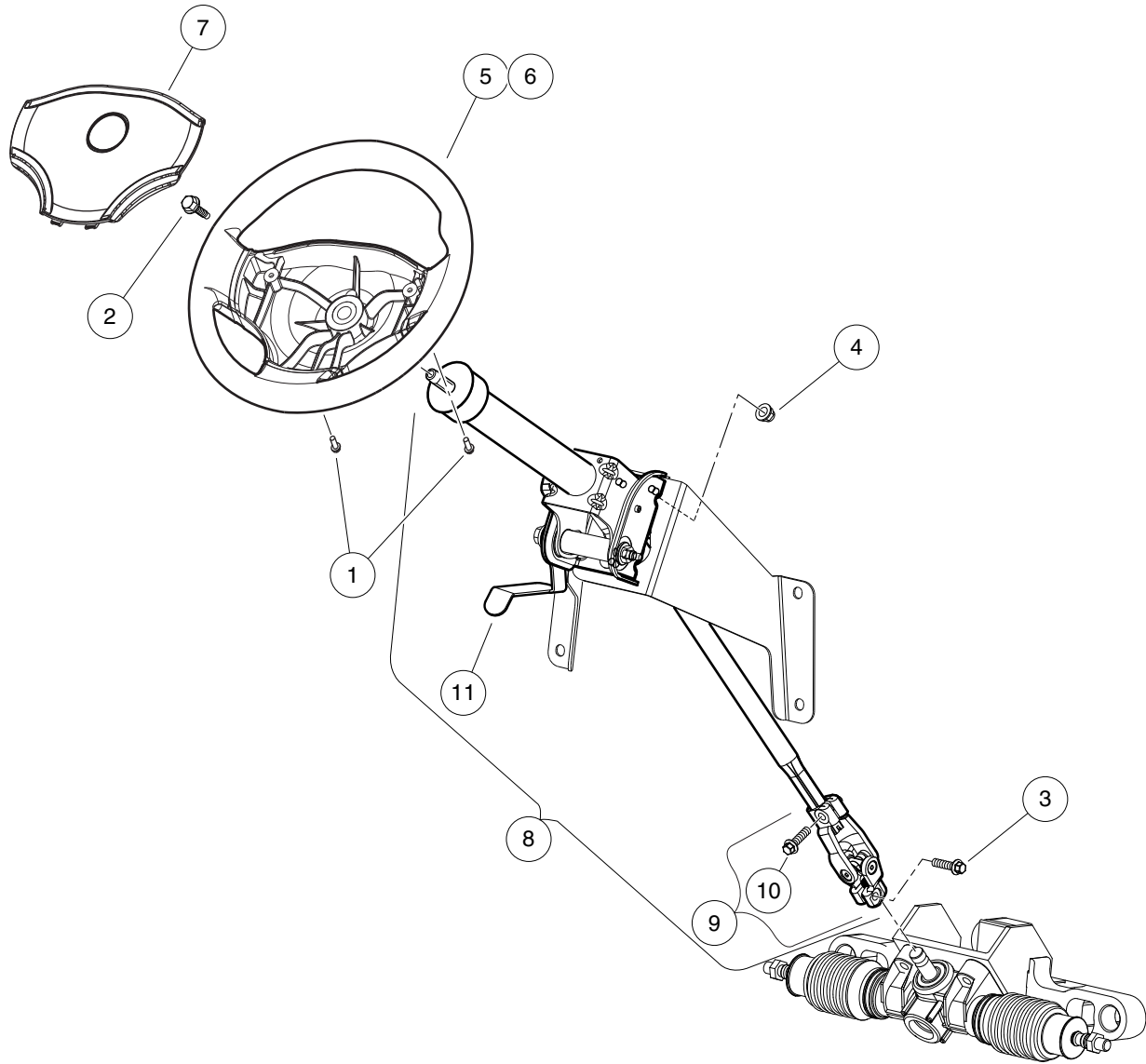
G

D

6

G

D



000070-006

STEERING WHEEL AND COLUMN

ITEM	PART NO.	DESCRIPTION	QTY
		1 2 3 4	
1	101850301	Screw, #12-16 X 0.50 Washer-Head Hi-Lo	2
2	102290120	Bolt, M10 X 20 Hex Washer Hd	1
3	102298130	Bolt, Flange Head, M8 X 30.0	1
4	102298401	Nut,m8,all Metal Lock	3
5	103724501	Steering Wheel, Hex	1
6	103724503	Steering Wheel, Soft Grip, Hex	1
7	103724602	Cover, Steering Wheel, Generic	1
8	103859901	Column, Steering, Awd (includes items 9 through 11)	1
9	103810201	Kit, Prec Lower Yoke, Wanda (includes item 10)	1
10	102298130	Bolt, Flange Head, M8 X 30.0	1
11	103862701	Handle, Steering, Tilt, Awd	1

6

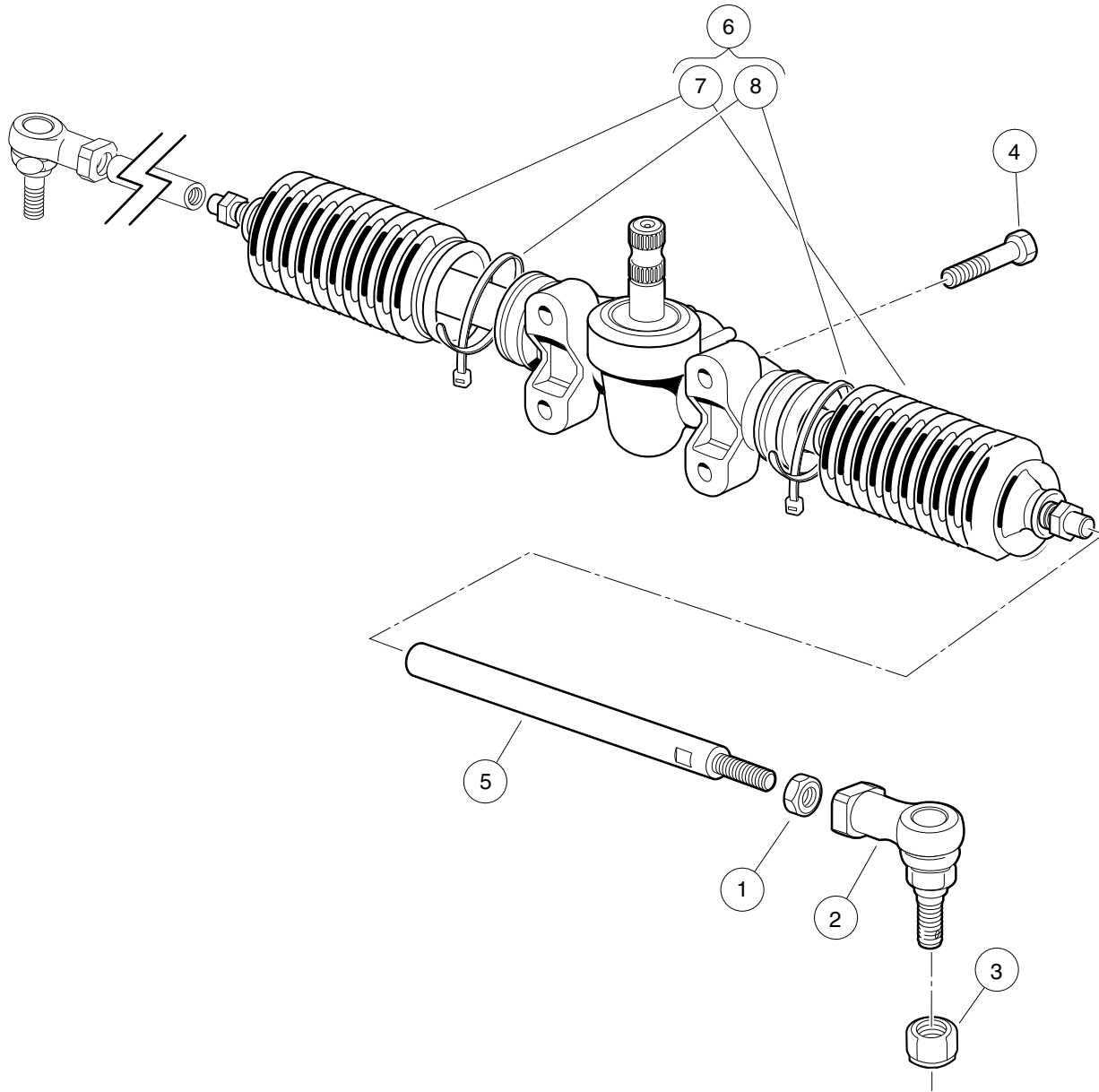
G

D

6

G

D



000071-004

STEERING GEAR

ITEM	PART NO.	DESCRIPTION	QTY
		1 2 3 4	
1	1013042	Nut, 12mm Hex	2
2	102022601	End, Tie Rod M12 X 1.25 Rh	2
3	102022901	Locknut, M12-1.25 Nylon	2
4	102687801	Bolt, Flange Head, M10x 1.5 X 40 with Loctite	4
5	102816801	Link, Drag, Wt	2
6	103866601	Gear, Steering, AWD (includes items 7 and 8)	1
7	1013035	Bellows, Long	2
8	8990	Tie Wrap, 8" Nylon	2

6

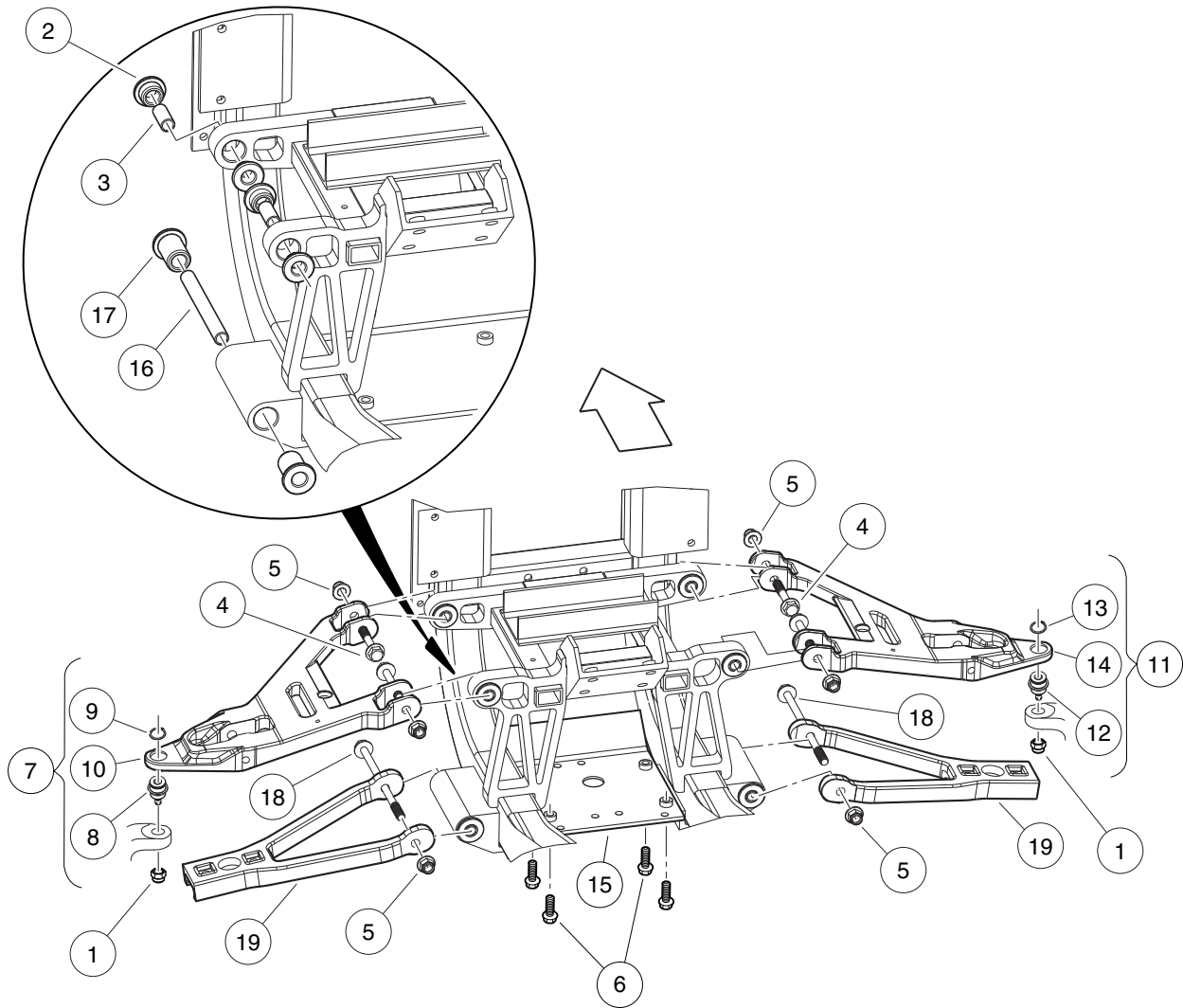
G

D

6

G

D



000534-011

FRONT SUSPENSION – PAGE 1 OF 2

ITEM	PART NO.	DESCRIPTION	QTY
		1 2 3 4	
1	102022901	Locknut, M12-1.25 Nylon	2
2	102408401	Bushing, A-Arm	8
3	102437001	Sleeve, Upper	4
4	102616301	Bolt, Flange Head, M12 X 1.75 X 70	4
5	102620501	Nut, Flange, M12x1.75, Nylon Grade 10	6
6	102711601	Bolt, Flange Head, M10 X 1.5 X 25	4
7	102792001	Asm, A-Arm, Upper, Left (includes items 8 through 10)	1
8	102361901	Joint, Ball	1
9	102722301	Ring, Retaining, Ext, 1-1/4"	1
10	102927101	Arm, Upper, Wide, Machined, LH	1
11	102792002	Asm, A-arm, Upper, Right (includes items 12 through 14)	1
12	102361901	Joint, Ball	1
13	102722301	Ring, Retaining, Ext, 1-1/4"	1
14	102927102	Arm, Upper, Wide, Machined, RH	1
15	103244701	Asm, Mount, Diff Plate	1
16	103256401	Sleeve, Lower Arm	2
17	103256501	Bushing, Lower Arm	4
18	103256701	Bolt, Flange, M12 X 1.75 X 200 10	2
19	103969801	Lower Control Arm, Machined	2

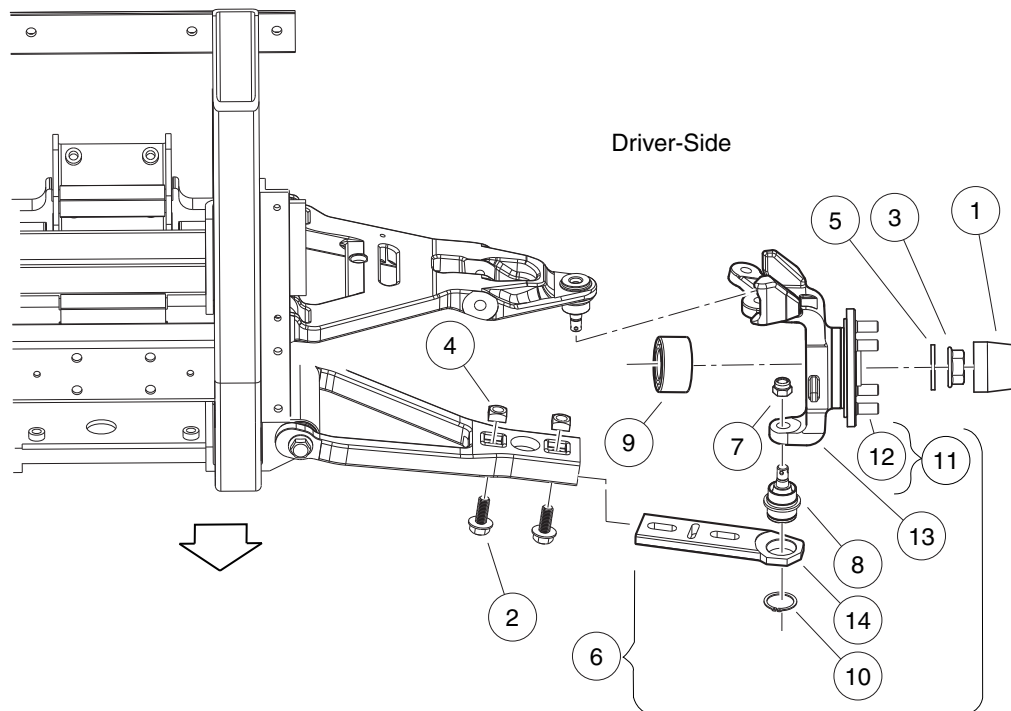
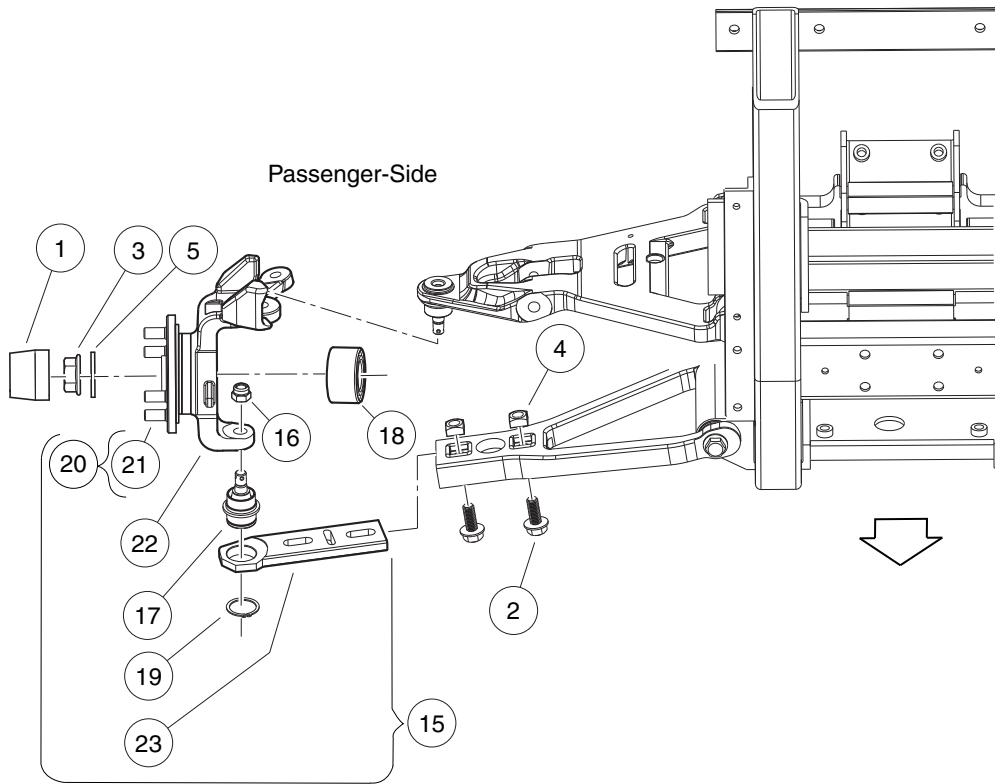
6

G

D

6
G

D



000534-010

FRONT SUSPENSION – PAGE 2 OF 2

ITEM	PART NO.	DESCRIPTION	QTY
		1 2 3 4	
1	102274101	Center Cap, Rubber	2
2	102490801	Bolt, Flange Head, M12x 1.75x 30 with Loctite	4
3	102617501	Nut, Flange, M22 X 1.5 Mech Def	2
4	102617701	Nut, Square, M12x 1.75	4
5	102617801	Washer, Hard, M22	2
6	103980901	Asm, Upright, AWD, Caster, Driver-Side, for Single-Piston Caliper (includes items 7 through 14) 1	
7	102022901	Locknut, M12-1.25 Nylon	1
8	102361901	Joint, Ball	1
9	102464301	Bearing	1
10	102722301	Ring, Retaining, Ext, 1-1/4"	1
11	103146204	Wheel Hub, Front, 1550, Service (includes item 12)	1
12	103951501	Lug Stud, 1/2-20 UNF, SAE J1102	4
13	N/A	Upright, Finished, LH	1
14	103939301	Slide, Adjuster, 5 Degree, Ds	1
15	103980902	Asm, Upright, AWD, Caster, Passenger-Side, for Single-Piston Caliper (includes items 16 through 23) 1	
16	102022901	Locknut, M12-1.25 Nylon	1
17	102361901	Joint, Ball	1
18	102464301	Bearing	1
19	102722301	Ring, Retaining, Ext, 1-1/4"	1
20	103146204	Wheel Hub, Front, 1550, Service (includes item 21)	1
21	103951501	Lug Stud, 1/2-20 UNF, SAE J1102	4
22	N/A	Upright, Finished, RH	1
23	103939302	Slide, Adjuster, 5 Degree, Ps	1

6

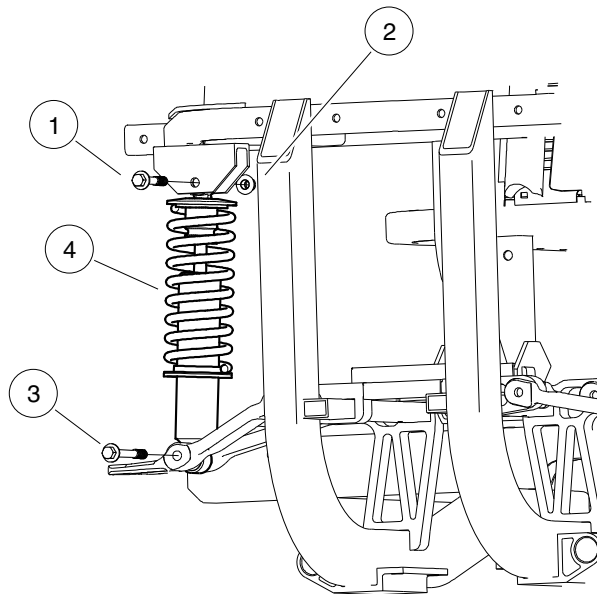
G

D

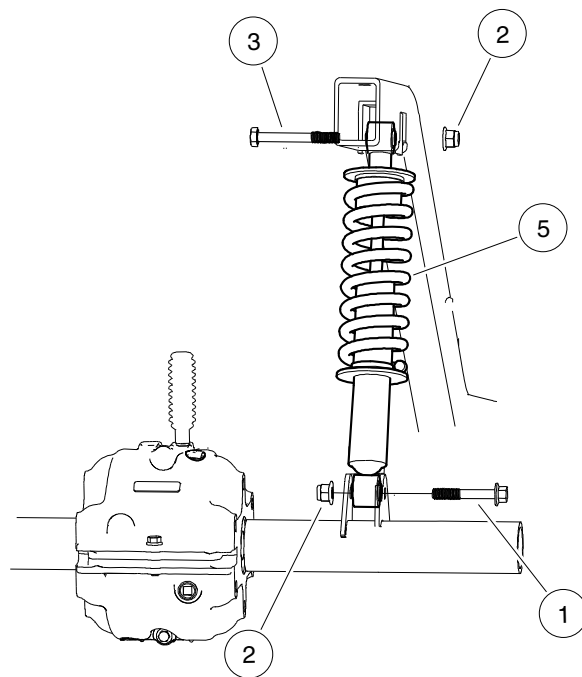
6

G

D



Front



Rear

000530-005

SHOCK ABSORBERS – 800 LB. CAPACITY

ITEM	PART NO.	DESCRIPTION	QTY
		1 2 3 4	
1	102616301	Bolt, Flange Head, M12 X 1.75 X 70	4
2	102620501	Nut, Flange, M12x1.75, Nylon Grade 10	6
3	102788701	Bolt, Flange, M12x1.75x100, Patch	4
4	103841701	Shock Absorber, Coil-over, Front, 800 lb Capacity	2
5	103930401	Shock Absorber, Coil-over, Rear, 800 lb Capacity	2
		Note: Shocks must be installed as matched pairs.	

6

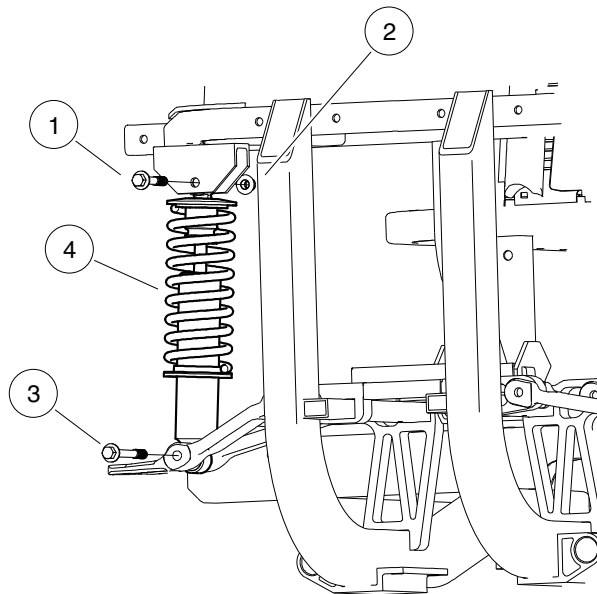
G

D

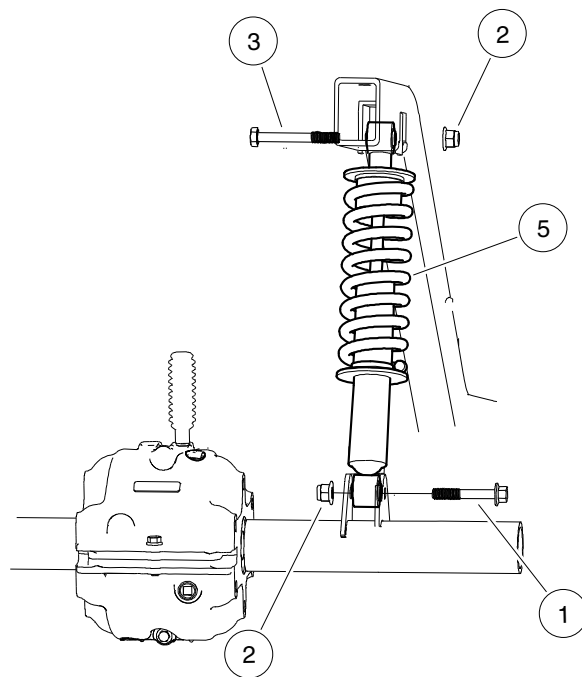
6

G

D



Front



Rear

000530-005

SHOCK ABSORBERS – 1050 LB. CAPACITY

ITEM	PART NO.	DESCRIPTION	QTY
		1 2 3 4	
1	102616301	Bolt, Flange Head, M12 X 1.75 X 70	4
2	102620501	Nut, Flange, M12x1.75, Nylon Grade 10	6
3	102788701	Bolt, Flange, M12x1.75x100, Patch	4
4	103841801	Shock Absorber, Coil-over, Front, 1050 lb Capacity	2
5	103930501	Shock Absorber, Coil-over, Rear, 1050 lb Capacity	2
<p>Note: Shocks must be installed as matched pairs.</p>			

6

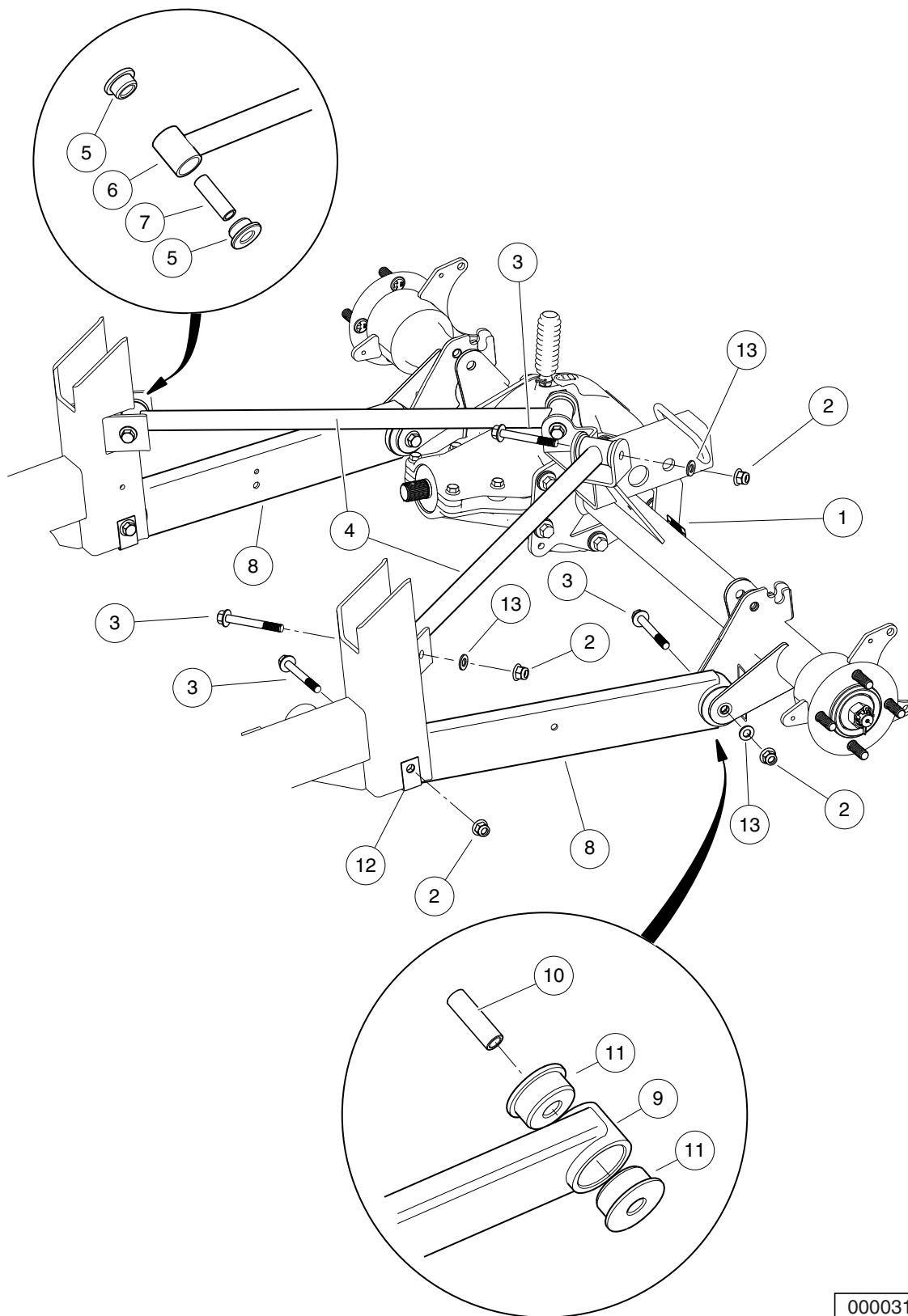
G

D

6

G

D



000031-005

REAR SUSPENSION (4-LINK)

ITEM	PART NO.	DESCRIPTION	QTY
		1 2 3 4	
1	1011553	Decal, Trailer Hitch	1
2	102670701	Nut, Flange, M10 X 1.5 Nylon	8
3	103147001	Bolt, Flg, M10 X 1.5 X 80	8
4	103860302	Assy, Lateral Link, Service Replacement, 4-Link Susp (includes items 5 through 7)	2
5	102408401	Bushing, A-Arm	4
6	N/A	Link, Lateral, Awd	1
7	103845501	Sleeve, Inner, 4link	2
8	103860402	Assy, Trailing Link, Service Replacement, 4-Link Susp (includes items 9 through 11)	2
9	N/A	Link, Trailing, Awd	1
10	103845501	Sleeve, Inner, 4link	2
11	103886201	Bushing, Poly, 4-link	4
12	103923001	Clip, Wear, Trail Link	4
13	96741046	Washer, M10, Hard	6

6

G

D

6

G

D

STEERING AND SUSPENSION – WITH DUAL-PISTON FRONT CALIPERS

7

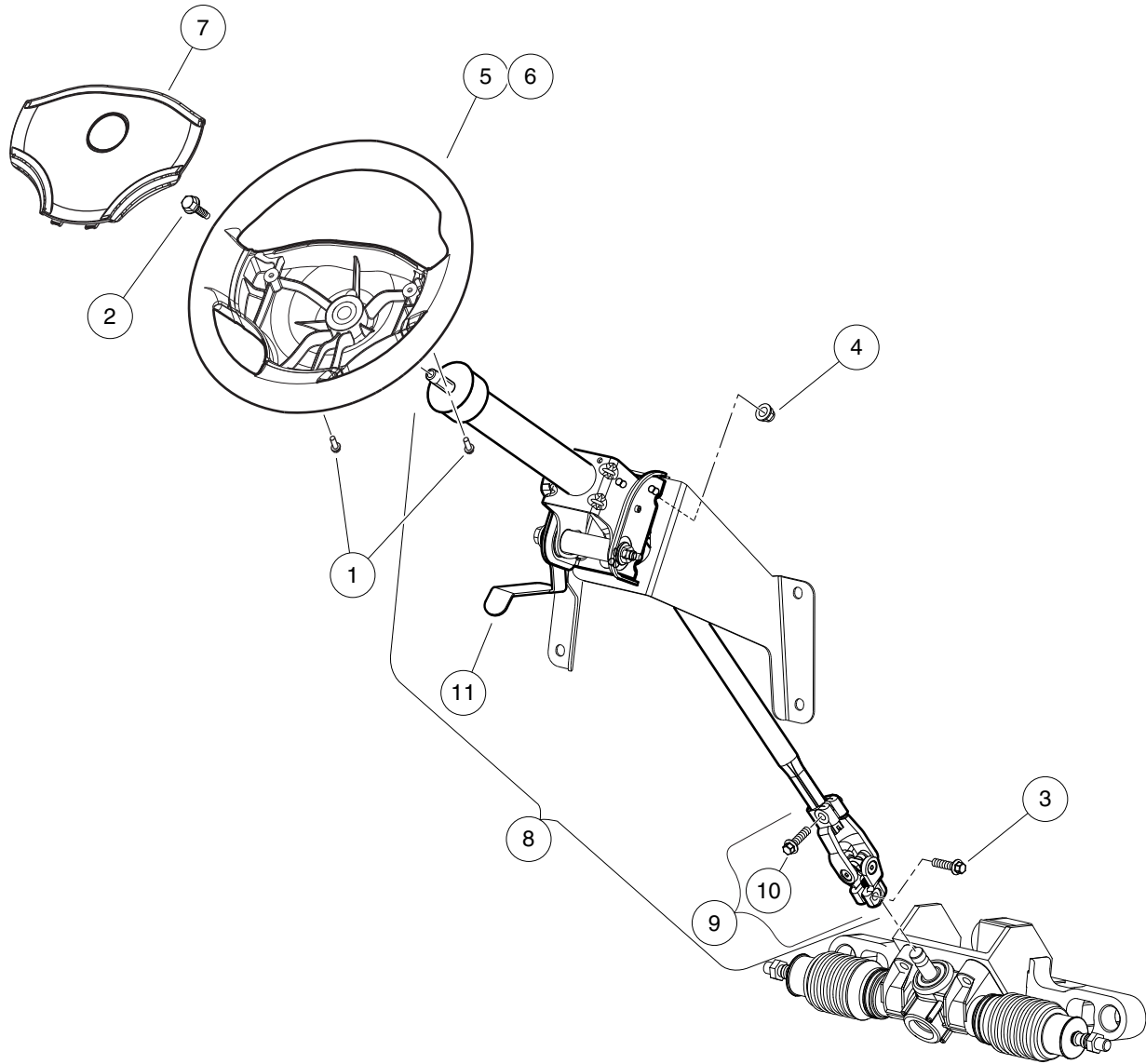
G

D

7

G

D



000070-006

STEERING WHEEL AND COLUMN

ITEM	PART NO.	DESCRIPTION	QTY
		1 2 3 4	
1	101850301	Screw, #12-16 X 0.50 Washer-Head Hi-Lo	2
2	102290120	Bolt, M10 X 20 Hex Washer Hd	1
3	102298130	Bolt, Flange Head, M8 X 30.0	1
4	102298401	Nut,m8,all Metal Lock	3
5	103724501	Steering Wheel, Hex	1
6	103724503	Steering Wheel, Soft Grip, Hex	1
7	103724602	Cover, Steering Wheel, Generic	1
8	103859901	Column, Steering, Awd (includes items 9 through 11)	1
9	103810201	Kit, Prec Lower Yoke, Wanda (includes item 10)	1
10	102298130	Bolt, Flange Head, M8 X 30.0	1
11	103862701	Handle, Steering, Tilt, Awd	1

7

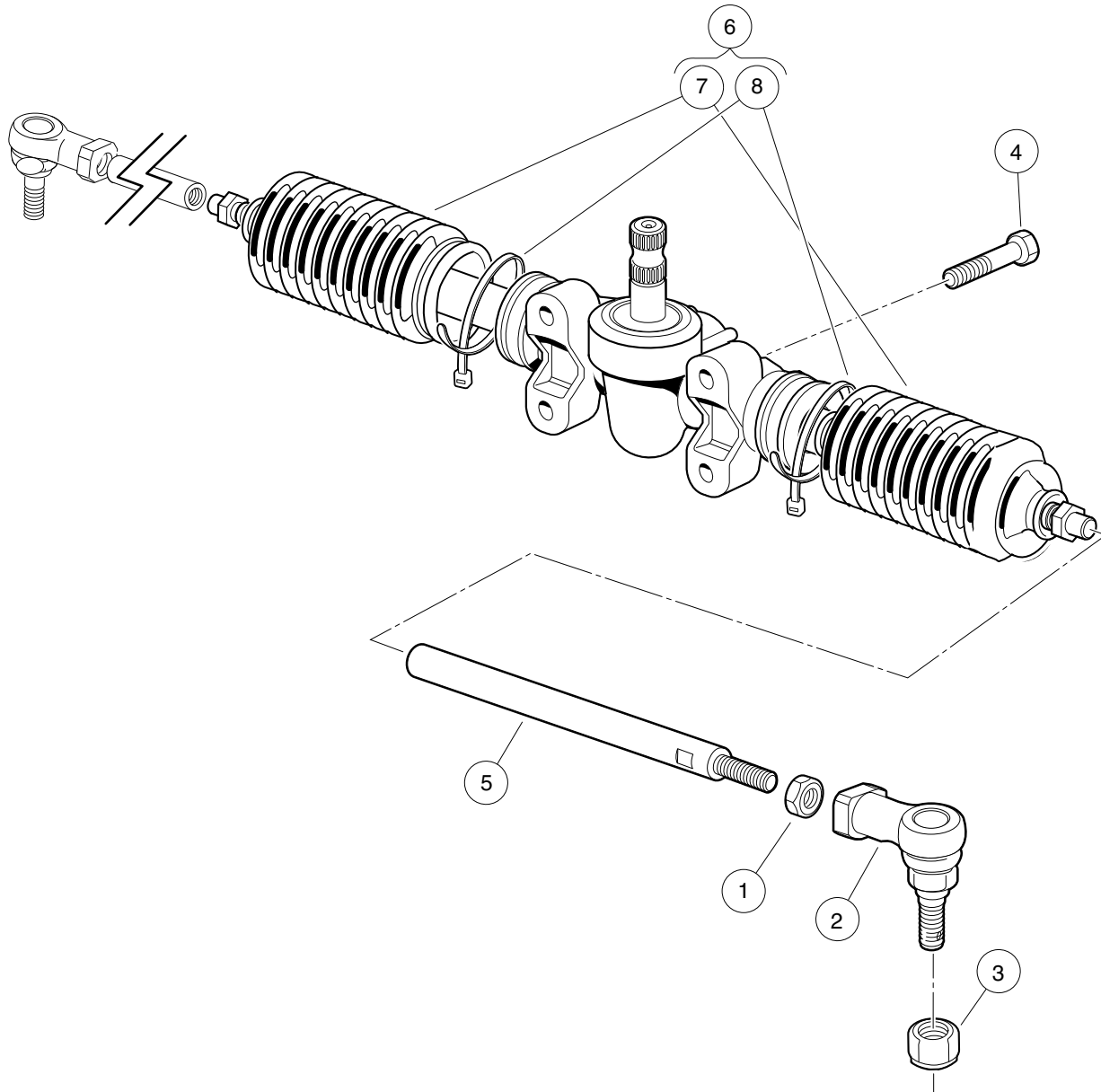
G

D

7

G

D



000071-004

STEERING GEAR

ITEM	PART NO.	DESCRIPTION	QTY
		1 2 3 4	
1	1013042	Nut, 12mm Hex	2
2	102022601	End, Tie Rod M12 X 1.25 Rh	2
3	102022901	Locknut, M12-1.25 Nylon	2
4	102687801	Bolt, Flange Head, M10x 1.5 X 40 with Loctite	4
5	102816801	Link, Drag, Wt	2
6	103866601	Gear, Steering, AWD (includes items 7 and 8)	1
7	1013035	Bellows, Long	2
8	8990	Tie Wrap, 8" Nylon	2

7

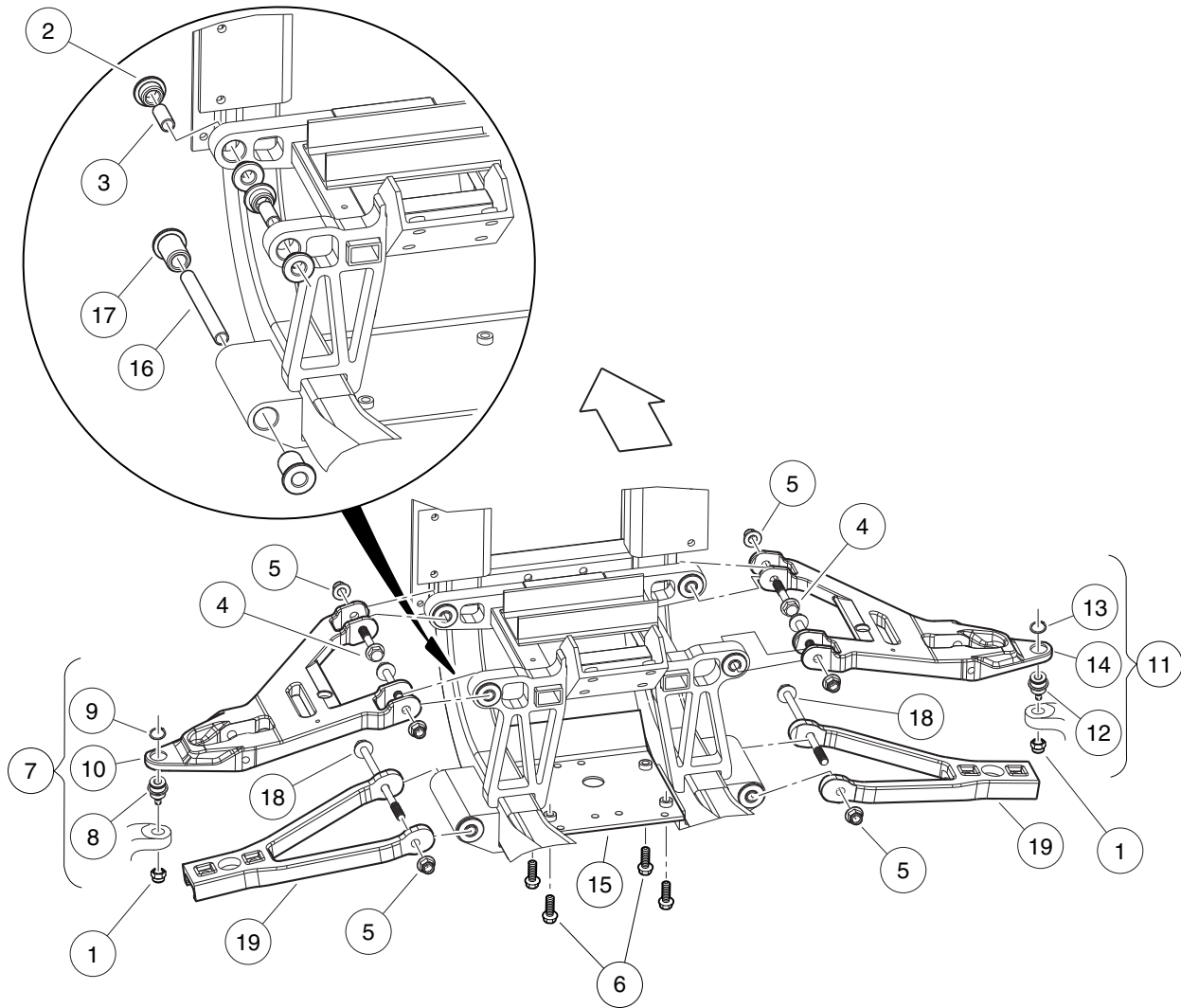
G

D

7

G

D



000534-011

FRONT SUSPENSION – PAGE 1 OF 2

ITEM	PART NO.	DESCRIPTION	QTY
		1 2 3 4	
1	102022901	Locknut, M12-1.25 Nylon	2
2	102408401	Bushing, A-Arm	8
3	102437001	Sleeve, Upper	4
4	102616301	Bolt, Flange Head, M12 X 1.75 X 70	4
5	102620501	Nut, Flange, M12x1.75, Nylon Grade 10	6
6	102711601	Bolt, Flange Head, M10 X 1.5 X 25	4
7	102792001	Asm, A-Arm, Upper, Left (includes items 8 through 10)	1
8	102361901	Joint, Ball	1
9	102722301	Ring, Retaining, Ext, 1-1/4"	1
10	102927101	Arm, Upper, Wide, Machined, LH	1
11	102792002	Asm, A-arm, Upper, Right (includes items 12 through 14)	1
12	102361901	Joint, Ball	1
13	102722301	Ring, Retaining, Ext, 1-1/4"	1
14	102927102	Arm, Upper, Wide, Machined, RH	1
15	103244701	Asm, Mount, Diff Plate	1
16	103256401	Sleeve, Lower Arm	2
17	103256501	Bushing, Lower Arm	4
18	103256701	Bolt, Flange, M12 X 1.75 X 200 10	2
19	103969801	Lower Control Arm, Machined	2

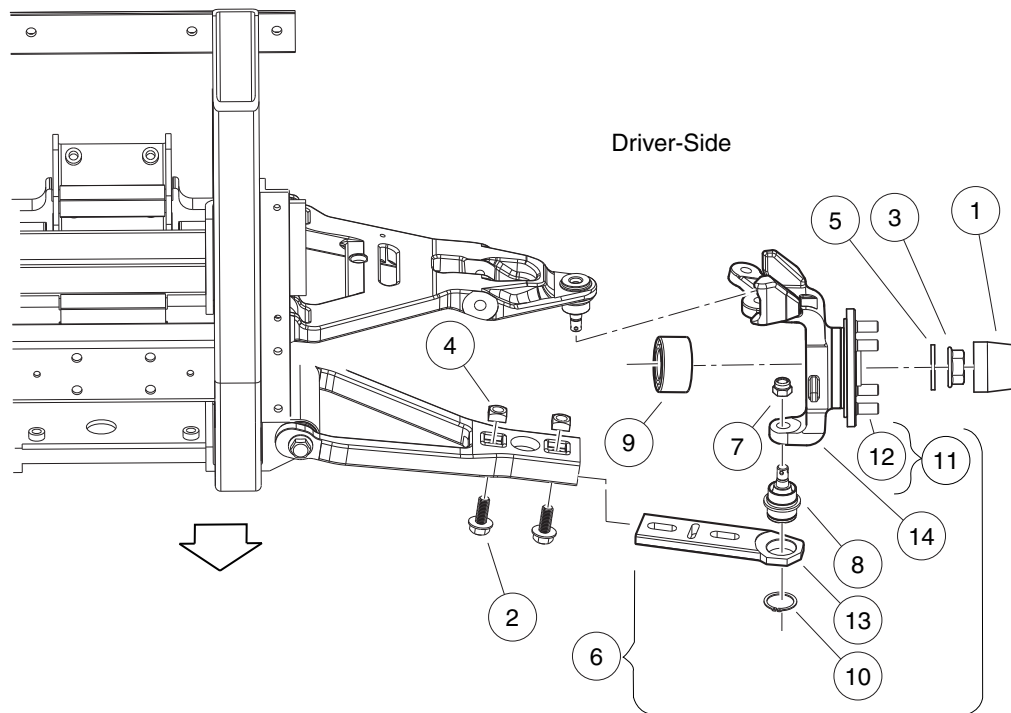
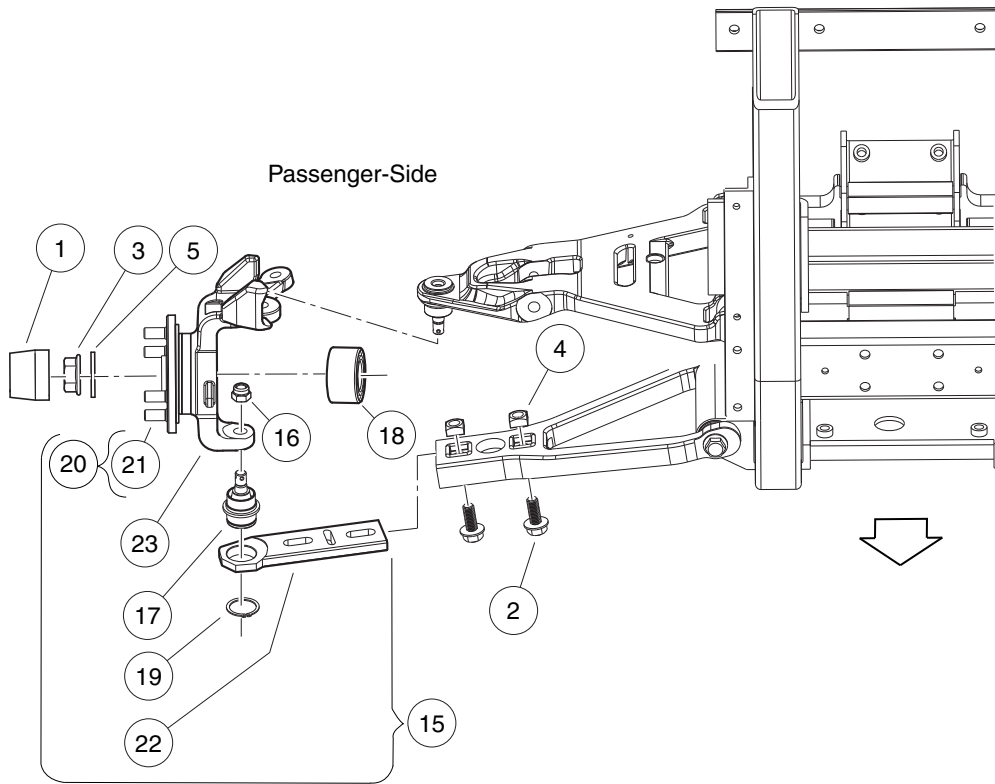
7

G

D

7
G

D



000534-009

FRONT SUSPENSION – PAGE 2 OF 2

ITEM	PART NO.	DESCRIPTION	QTY
		1 2 3 4	
1	102274101	Center Cap, Rubber	2
2	102490801	Bolt, Flange Head, M12x 1.75x 30 with Loctite	4
3	102617501	Nut, Flange, M22 X 1.5 Mech Def	2
4	102617701	Nut, Square, M12x 1.75	4
5	102617801	Washer, Hard, M22	2
6	105283703	Asm, Upright, AWD, Driver-Side, for Dual-Piston Caliper (includes items 7 through 14) .	1
7	102022901	Locknut, M12-1.25 Nylon	1
8	102361901	Joint, Ball	1
9	102464301	Bearing	1
10	102722301	Ring, Retaining, Ext, 1-1/4"	1
11	103146204	Wheel Hub, Front, 1550, Service (includes item 12)	1
12	103951501	Lug Stud, 1/2-20 UNF, SAE J1102	4
13	103939301	Slide, Adjuster, 5 Degree, Ds	1
14	N/A	Upright, Finished, Left	1
15	105283704	Asm, Upright, AWD, Passenger-Side, for Dual-Piston Caliper (includes items 16 through 23)	1
16	102022901	Locknut, M12-1.25 Nylon	1
17	102361901	Joint, Ball	1
18	102464301	Bearing	1
19	102722301	Ring, Retaining, Ext, 1-1/4"	1
20	103146204	Wheel Hub, Front, 1550, Service (includes item 21)	1
21	103951501	Lug Stud, 1/2-20 UNF, SAE J1102	4
22	103939302	Slide, Adjuster, 5 Degree, Ps	1
23	N/A	Upright, Finished, Right	1

7

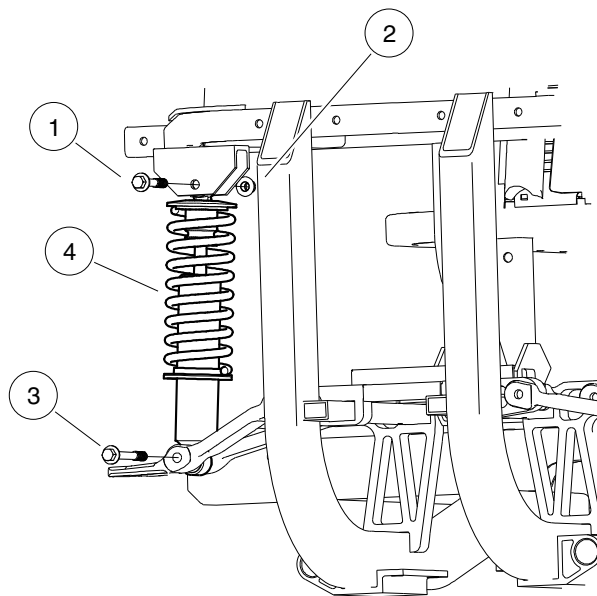
G

D

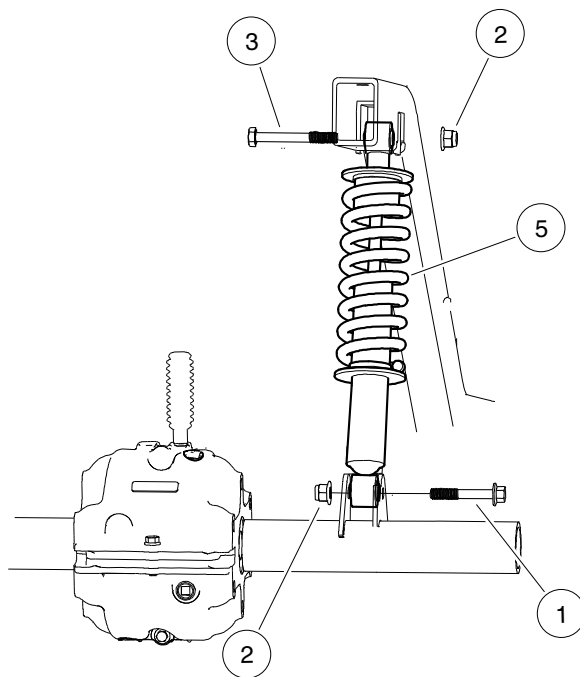
7

G

D



Front



Rear

000530-005

SHOCK ABSORBERS – 800 LB. CAPACITY

ITEM	PART NO.	DESCRIPTION	QTY
		1 2 3 4	
1	102616301	Bolt, Flange Head, M12 X 1.75 X 70	4
2	102620501	Nut, Flange, M12x1.75, Nylon Grade 10	6
3	102788701	Bolt, Flange, M12x1.75x100, Patch	4
4	103841701	Shock Absorber, Coil-over, Front, 800 lb Capacity	2
5	103930401	Shock Absorber, Coil-over, Rear, 800 lb Capacity	2
<p>Note: Shocks must be installed as matched pairs.</p>			

7

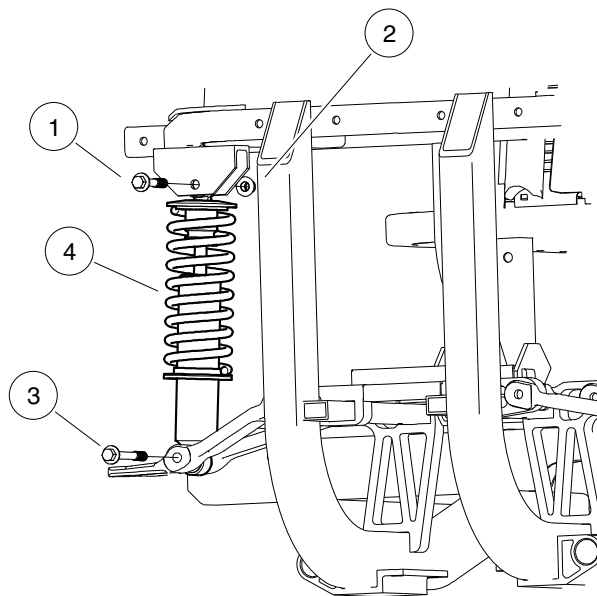
G

D

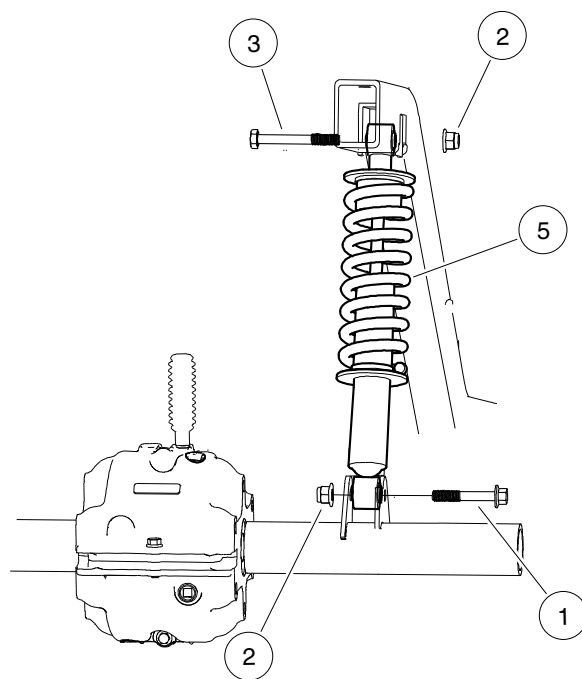
7

G

D



Front



Rear

000530-005

SHOCK ABSORBERS – 1050 LB. CAPACITY

ITEM	PART NO.	DESCRIPTION	QTY
		1 2 3 4	
1	102616301	Bolt, Flange Head, M12 X 1.75 X 70	4
2	102620501	Nut, Flange, M12x1.75, Nylon Grade 10	6
3	102788701	Bolt, Flange, M12x1.75x100, Patch	4
4	103841801	Shock Absorber, Coil-over, Front, 1050 lb Capacity	2
5	103930501	Shock Absorber, Coil-over, Rear, 1050 lb Capacity	2
		Note: Shocks must be installed as matched pairs.	

7

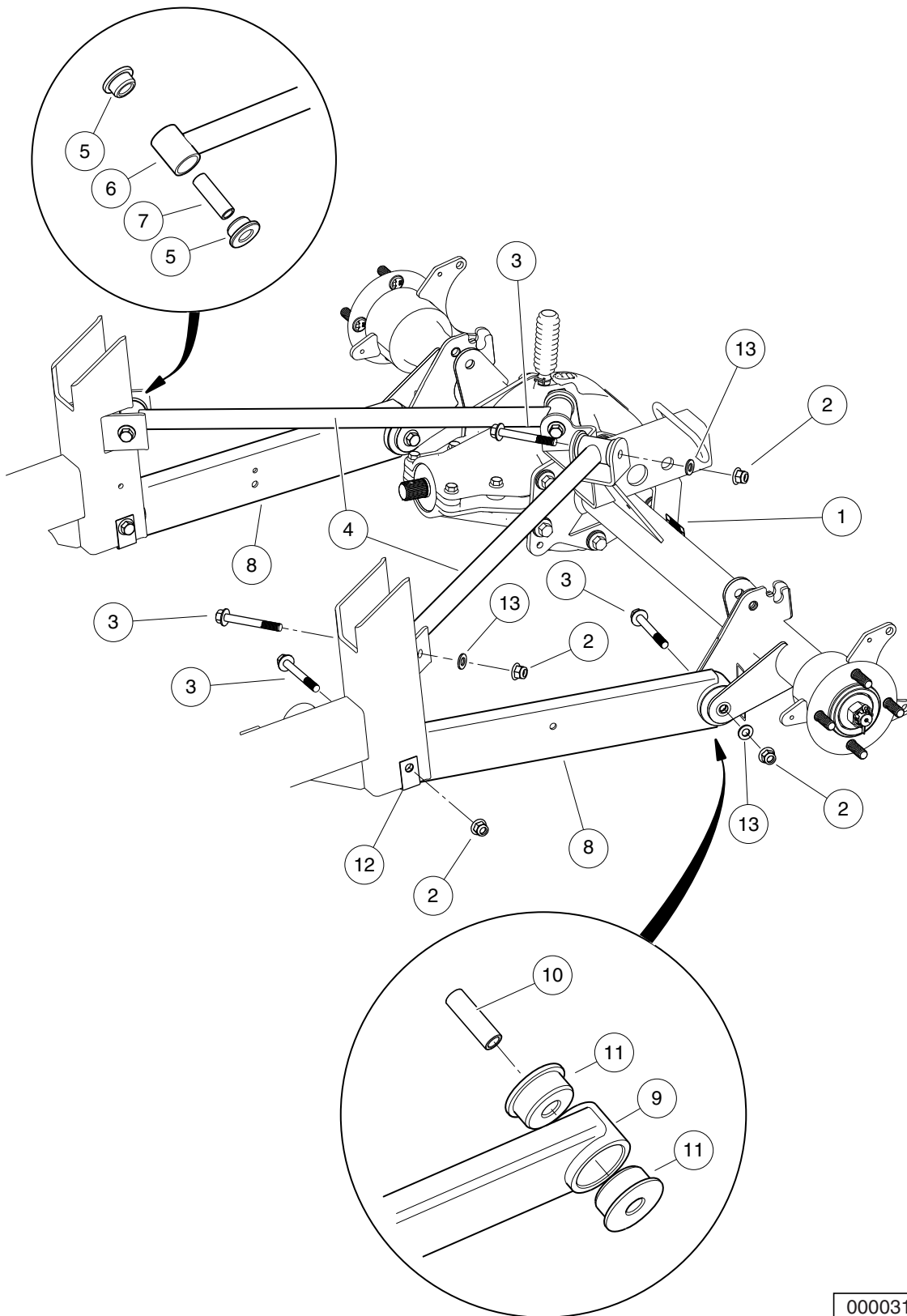
G

D

7

G

D



000031-005

REAR SUSPENSION (4-LINK)

ITEM	PART NO.	DESCRIPTION	QTY
		1 2 3 4	
1	1011553	Decal, Trailer Hitch	1
2	102670701	Nut, Flange, M10 X 1.5 Nylon	8
3	103147001	Bolt, Flg, M10 X 1.5 X 80	8
4	103860302	Assy, Lateral Link, Service Replacement, 4-Link Susp (includes items 5 through 7)	2
5	102408401	Bushing, A-Arm	4
6	N/A	Link, Lateral, Awd	1
7	103845501	Sleeve, Inner, 4link	2
8	103860402	Assy, Trailing Link, Service Replacement, 4-Link Susp (includes items 9 through 11)	2
9	N/A	Link, Trailing, Awd	1
10	103845501	Sleeve, Inner, 4link	2
11	103886201	Bushing, Poly, 4-link	4
12	103923001	Clip, Wear, Trail Link	4
13	96741046	Washer, M10, Hard	6

7

G

D

7

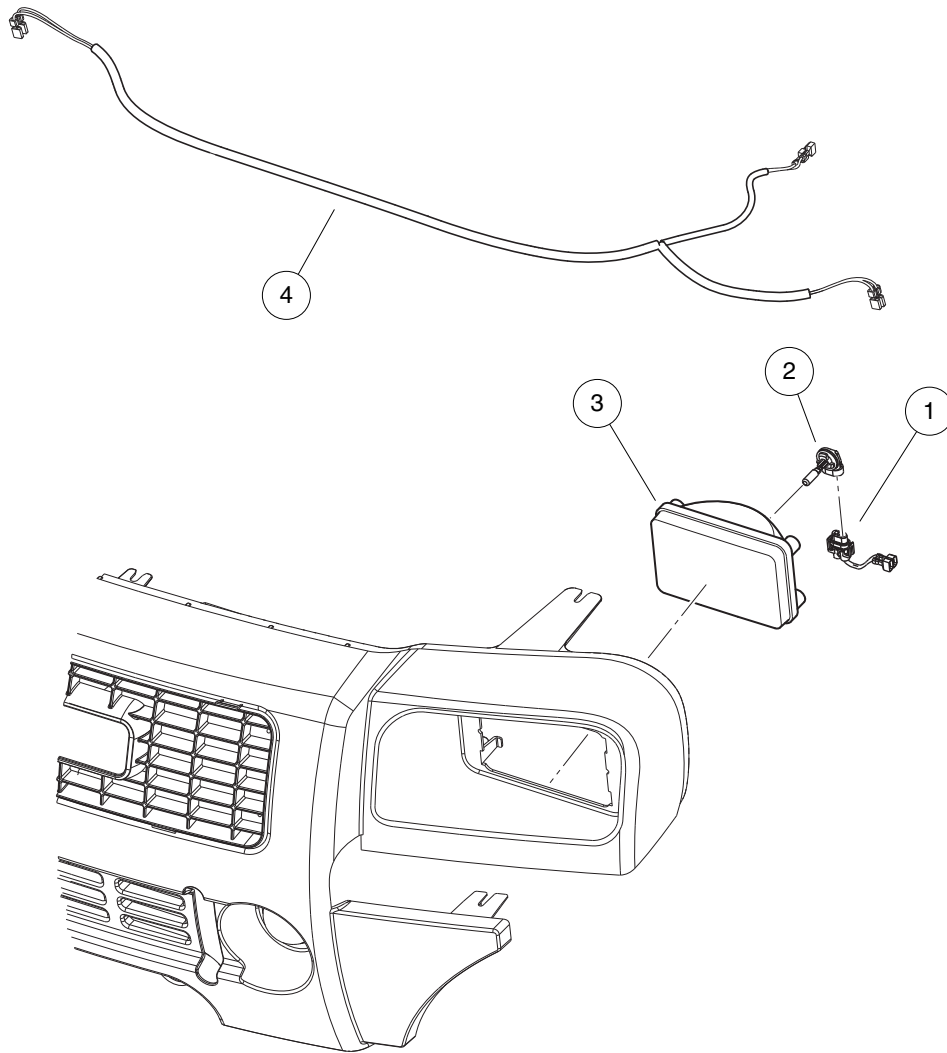
G

D

ELECTRICAL SYSTEM – GAS VEHICLES

8

G



000880-003

HEADLIGHTS – CARRYALL

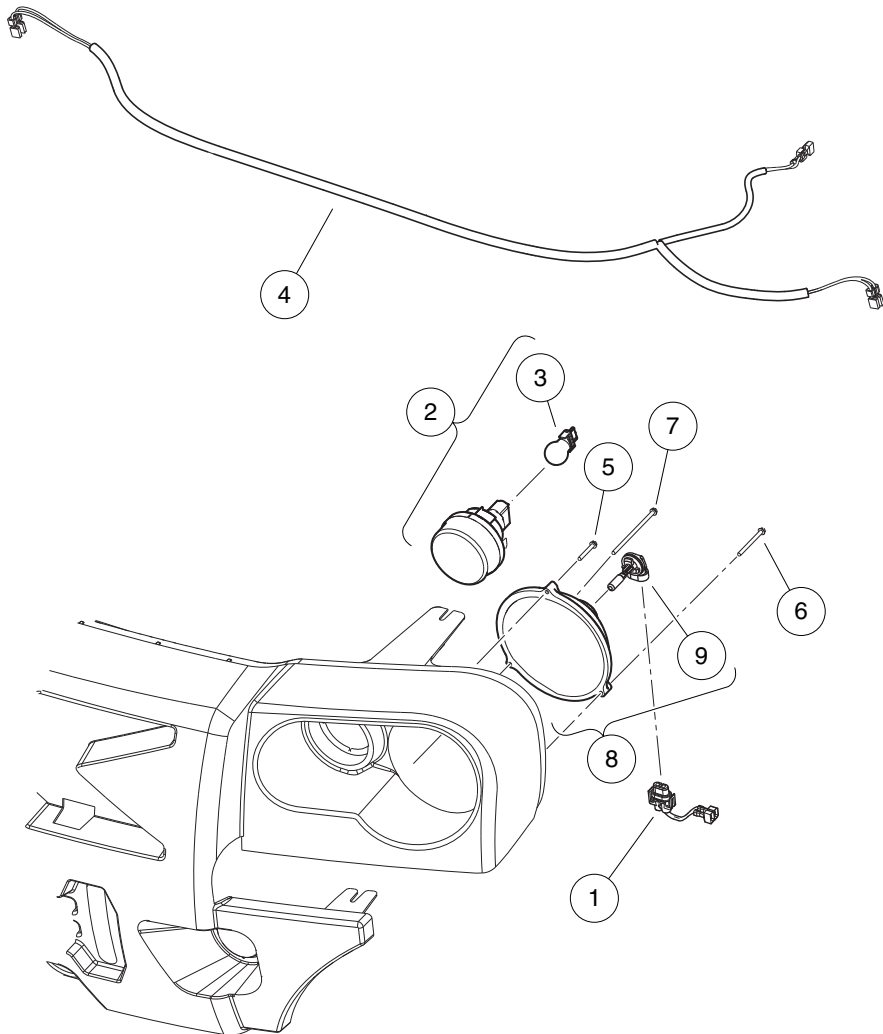
ITEM	PART NO.	DESCRIPTION	QTY
		1 2 3 4	
1	101987901	Connector, Harness Assembly, Headlight	2
2	101988101	Bulb, Headlight	2
3	101988201	Lens, Headlight	2
4	103213301	Harness, Wire, XRT/CA Restyle Headlights	1

8

G

8

G



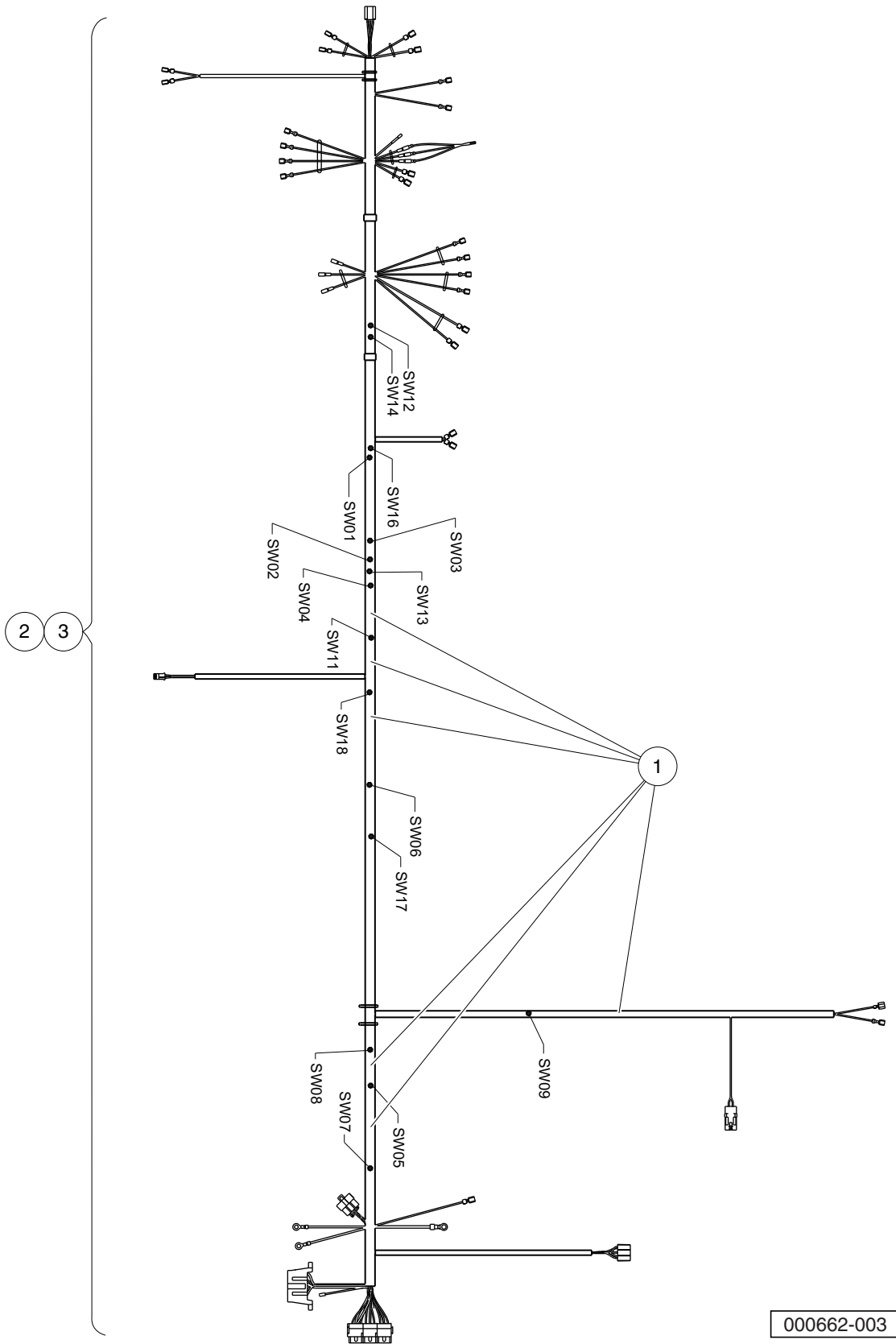
000880-008

HEADLIGHTS – XRT

ITEM	PART NO.	DESCRIPTION	QTY
		1 2 3 4	
1	101987901	Connector, Harness Assembly, Headlight	2
2	102894501	Light, Turn Signal, Round, 3" (includes item 3)	2
3	103521001	Bulb, Signal, Marker	1
4	103213301	Harness, Wire, XRT/CA Restyle Headlights	1
5	103218104	Screw, #8x1.25 Ab Thd, Hex Hd	2
6	103218107	Screw, #8x2.00 AB Thd, Hex Hd	2
7	103218113	Screw, #8x3.50 Ab Thd, Hex Hd	2
8	103966401	Headlight, Round, 6", 8610 (includes item 9)	2
9	102535101	Bulb, Headlight, 37.5 W	1
		Note: This headlight is made of polycarbonate.	

8

G



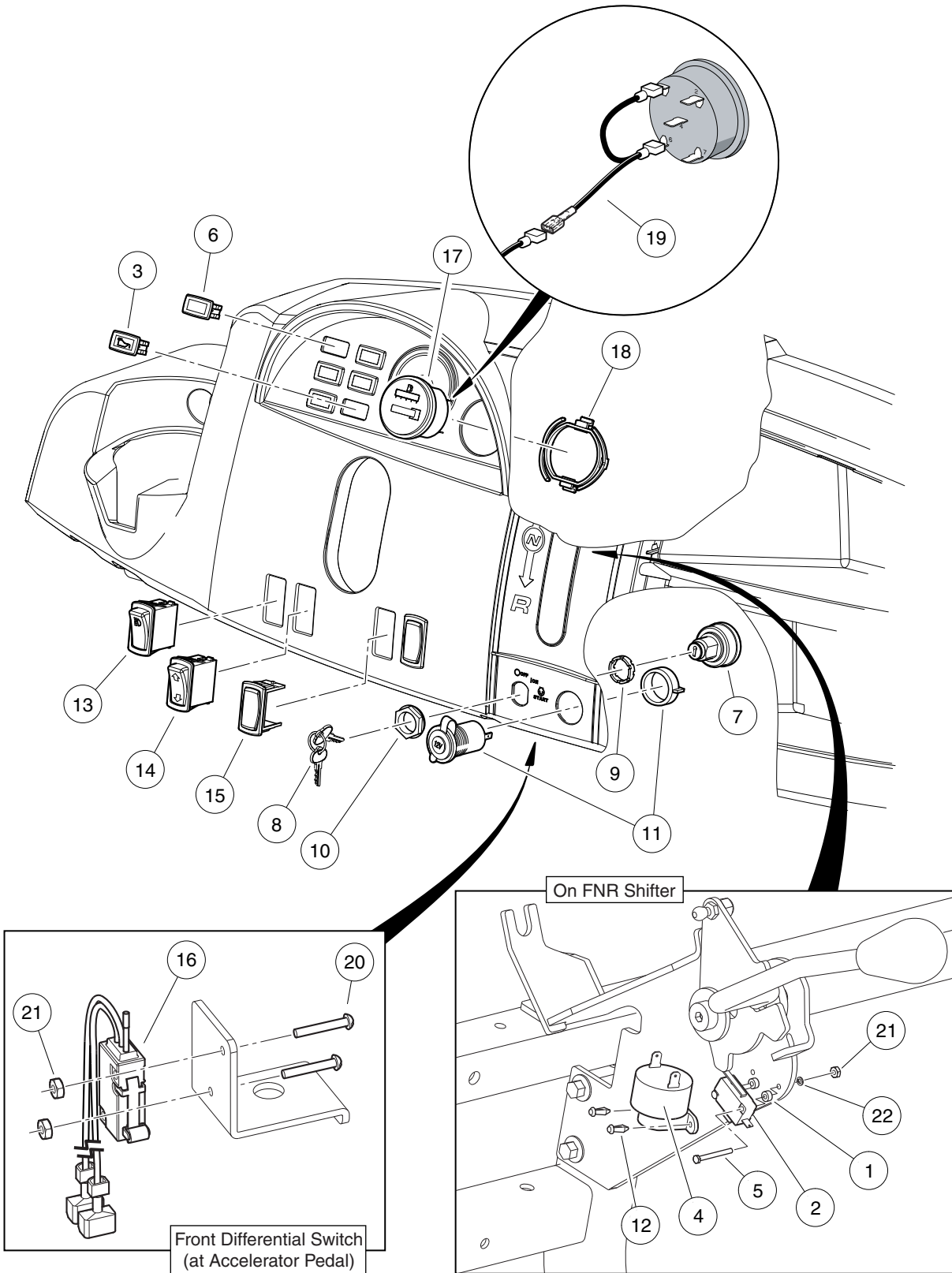
000662-003

WIRING – KAWASAKI GAS ENGINE

ITEM	PART NO.	DESCRIPTION	QTY
		1 2 3 4	
1	1014789	Diode, General Purpose, 3.0-Amp	6
2	103305701	Harness, Wire, AWD, Kawasaki FH680, 295/1550	1
3	103305801	Harness, Wire, AWD, Kawasaki FH680, 295 SE/1550 SE	1
		<p>Note: Item 2 is for use with 81.5 in. (207 cm) wheelbase vehicle. Item 3 is for use with 114 in. (289.5 cm) wheelbase vehicle.</p>	

8

G



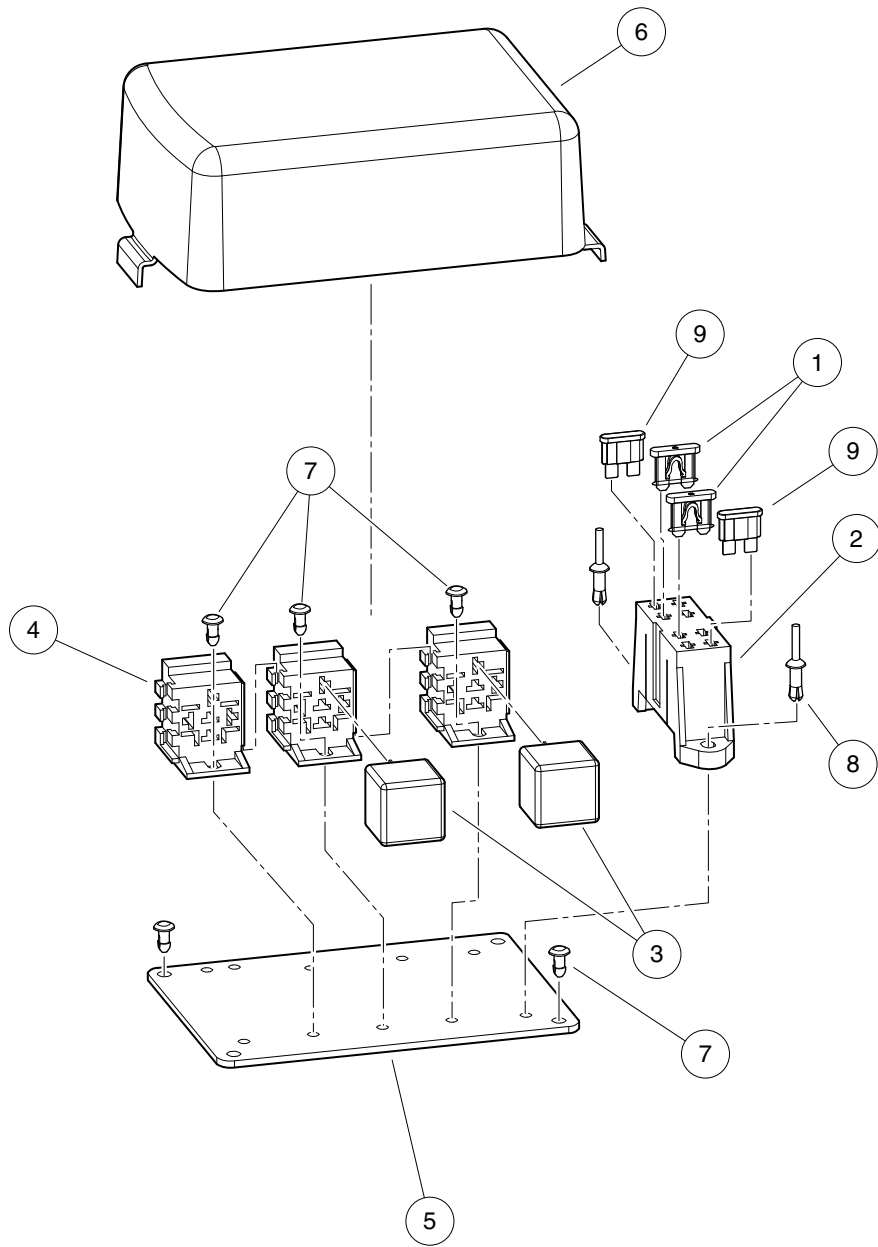
000543-013

ELECTRICAL COMPONENTS, FRONT BODY – GAS VEHICLE

ITEM	PART NO.	DESCRIPTION	QTY
		1 2 3 4	
1	1014727	Washer, Flat, #4, Nylon	2
2	1014808	Switch, Limit	1
3	1016630	Light, Oil	1
4	1016851	Buzzer, Reverse (9-48 VDC)	1
5	1016896	Screw, #4-40 X 1.125 Hx Hd Mch	2
6	101802601	Plug, Hole	5
7	102044702	Key Switch 12v Key Start	1
8	102044801	Key Set	1
9	102051601	Spacer, Keyswitch	1
10	102051701	Nut, Key Switch	1
11	102198001	Receptacle, Accessory	1
12	102499001	Rivet, Micro Tuflok	2
13	102869401	Switch, Rocker, Light	1
14	102882501	Switch, Rocker, Bed Lift	1
15	103180101	Cover, Hole, Switch, Rocker	3
16	103327201	Asm, Switch, Limit, Awd	1
17	103348101	Gauge, Fuel-hour, Sep Gnd	1
18	103348201	Clip, Meter, Round	1
19	103348501	Asm, Wire Meter, F-h Jumper	1
20	8056	Screw, #4-40 X 0.75 Round-Head Machine	2
21	8057	Nut, #4-40 Hex Machine	4
22	8058	Lockwasher, #4 Split	2
<p>Note: Item 4, reverse buzzer, is only if equipped. NOTE 2: Item 14, bed lift switch, is only if equipped. NOTE 3: Items 18, clip, and 19, jumper wire, are required with item 17, fuel/hour gauge.</p>			

8

G

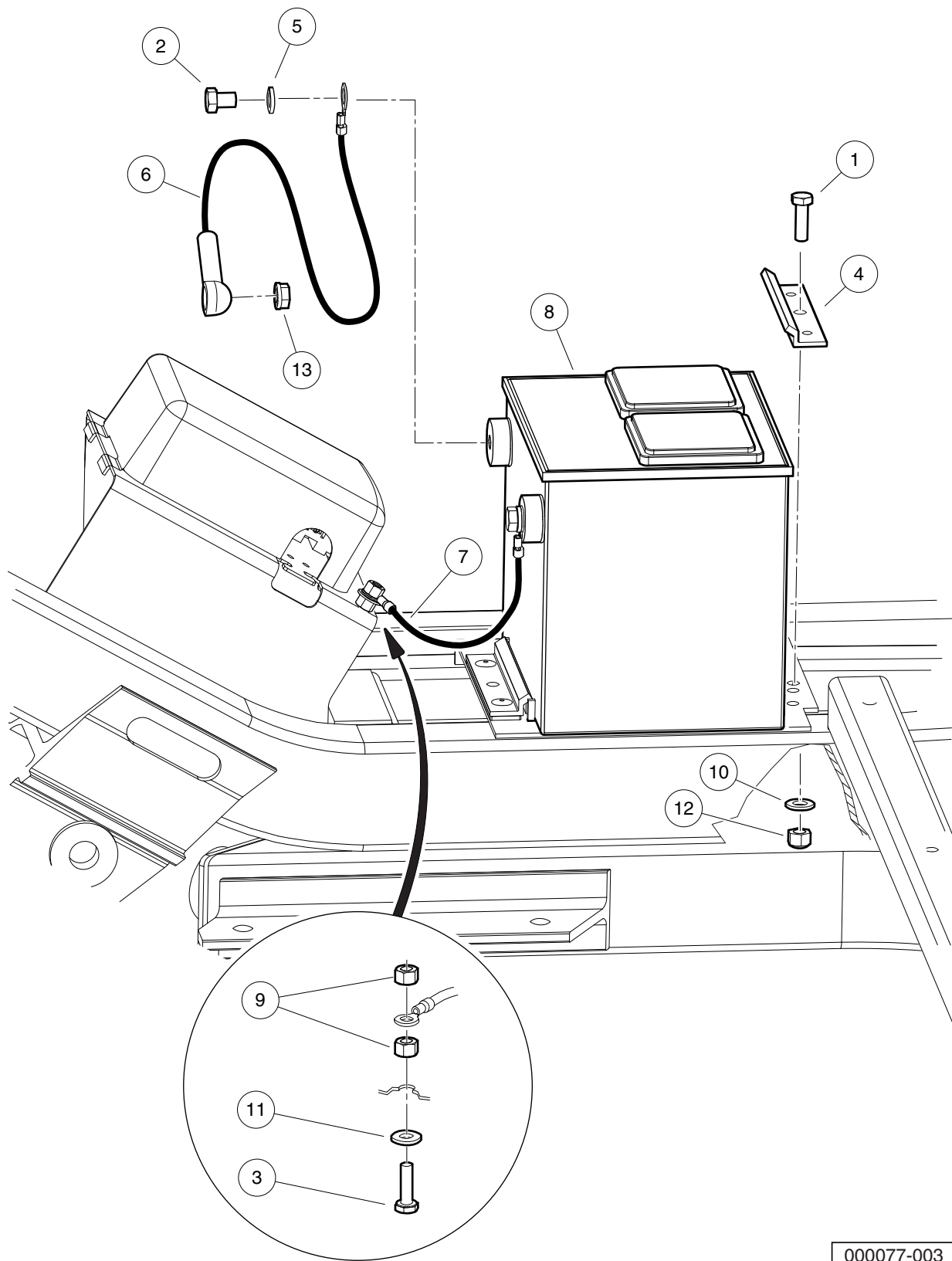


000076-003

ELECTRICAL COMPONENT BOX, GASOLINE VEHICLE

ITEM	PART NO.	DESCRIPTION	QTY
		1 2 3 4	
1	1012295	Fuse, 10-Amp	2
2	1015741	Fuse Block	1
3	102420201	Relay, Mini ISO, SPDT	3
4	102420301	Connector, Relay	3
5	102420401	Plate, Electrical	1
6	102420501	Cover, Electrical	1
7	102447901	Fastener, Push-in	7
8	102448001	Rivet, Drive	2
9	102492201	Fuse, 25-Amp	2

8
G



000077-003

BATTERY – GASOLINE VEHICLE

ITEM	PART NO.	DESCRIPTION	QTY
		1 2 3 4	
1	1010934	Screw, 5/16-18 X 1.00 Hex Cap	1
2	1014375	Screw, 3/8-16 X 0.50, Stainless Steel, Hex-Head	2
3	1015521	Screw, 1/4-20 X .88 Hex Hd Cap	1
4	101898001	Clamp, Battery	1
5	102355301	Lockwasher, 3/8 Split Ss	2
6	102442201	Asm, #6 Red Wire	1
7	102448401	Wire Asm, #6 Blk, Awd, 350	1
8	103496801	Battery, Start, 12v	1
9	1108	Locknut, 1/4-20 Dimpled	2
10	1241	Washer, 5/16 Type A Flat	1
11	332	Washer, 1/4 Type A Narrow Flat	1
12	7473	Locknut, 5/16-18 Nylon Insert	1
13	96704416	Nut, Flange, M8 X 1.25 Serrated	1

8

G

8

G

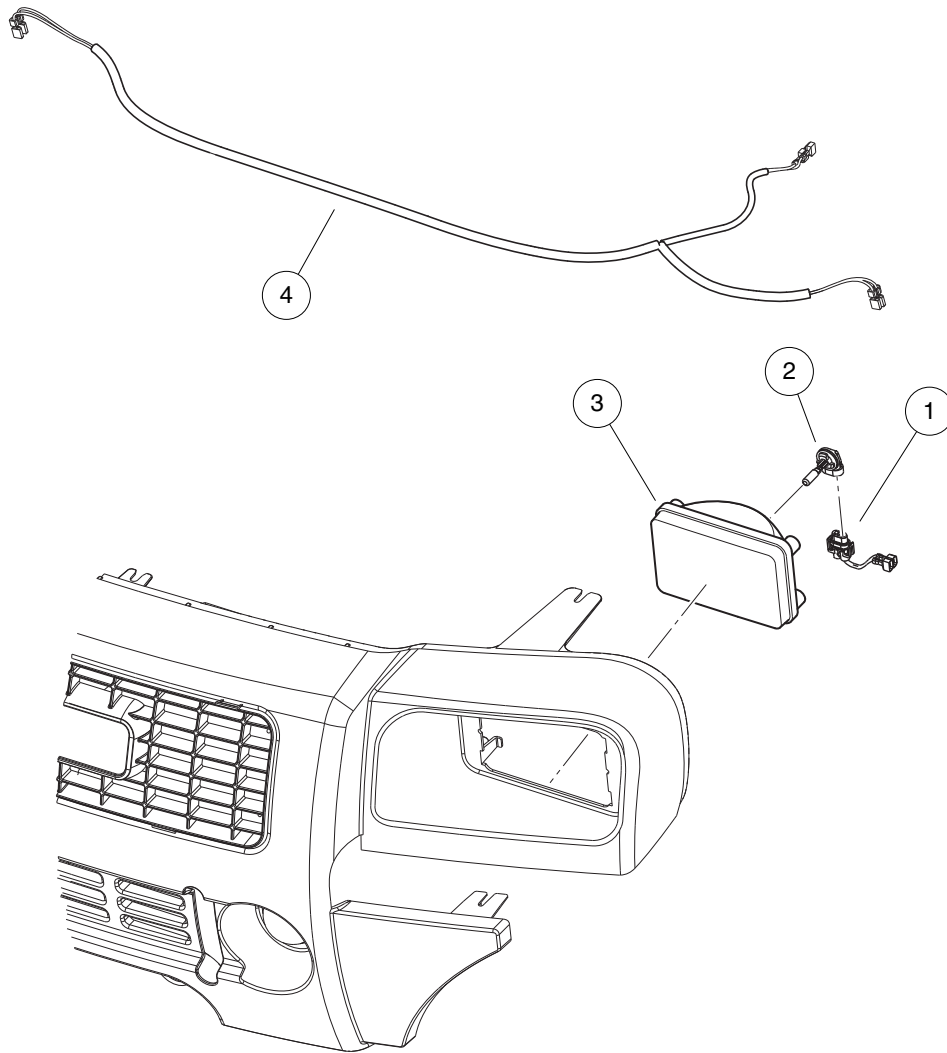
ELECTRICAL SYSTEM – DIESEL VEHICLES

9

D

9

D



000880-003

HEADLIGHTS – CARRYALL

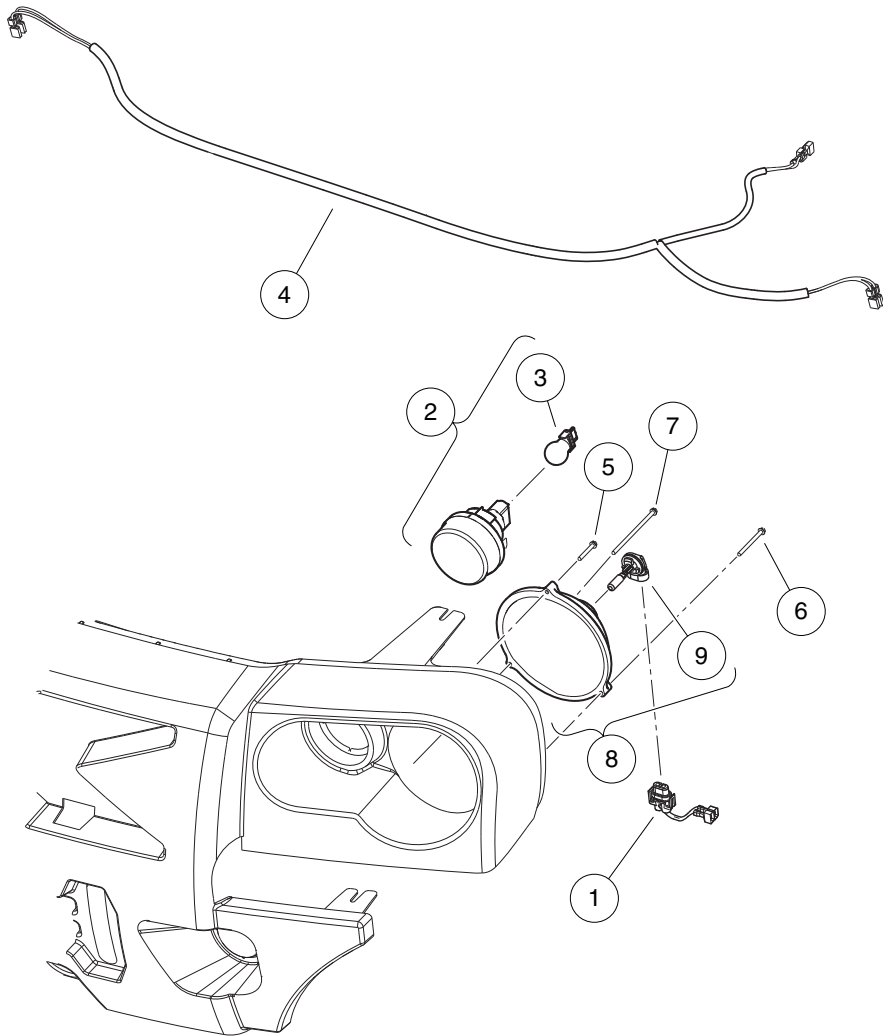
ITEM	PART NO.	DESCRIPTION	QTY
		1 2 3 4	
1	101987901	Connector, Harness Assembly, Headlight	2
2	101988101	Bulb, Headlight	2
3	101988201	Lens, Headlight	2
4	103213301	Harness, Wire, XRT/CA Restyle Headlights	1

9

D

9

D



000880-008

HEADLIGHTS – XRT

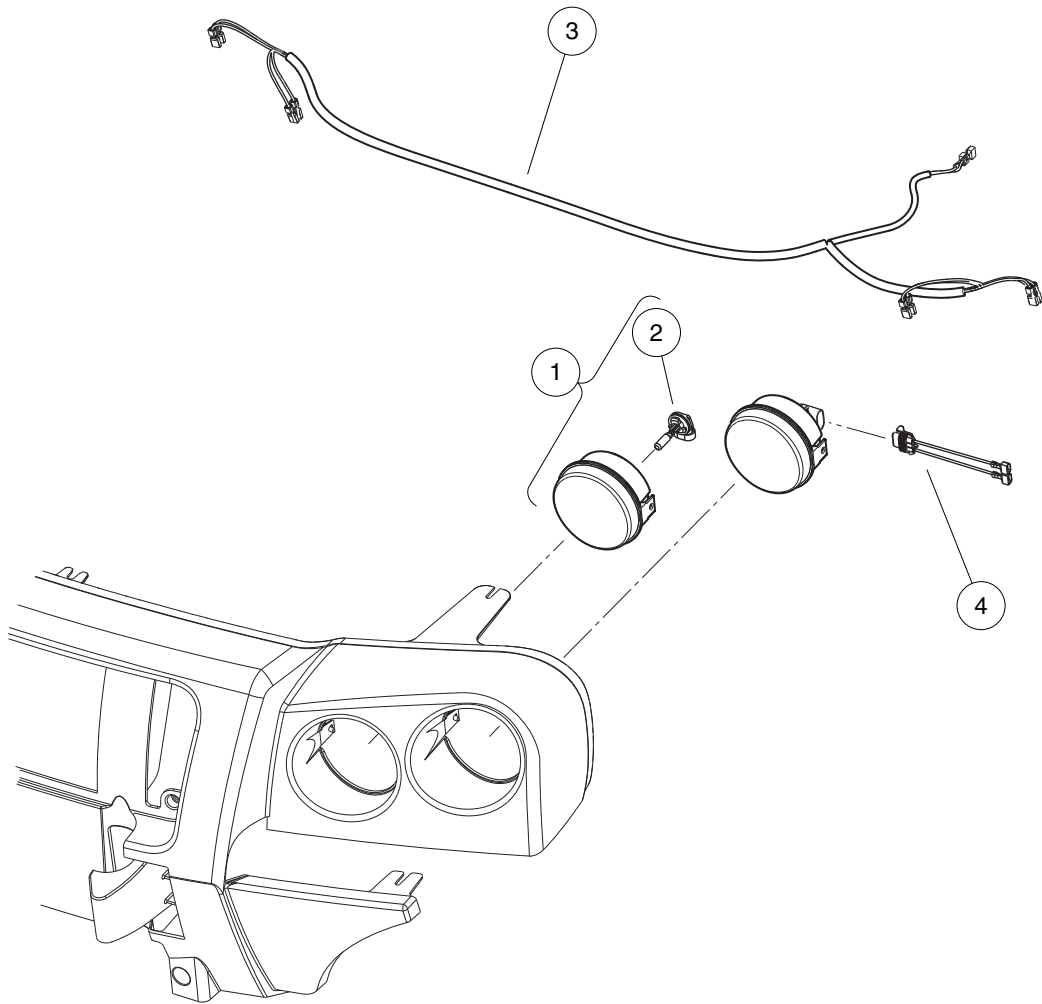
ITEM	PART NO.	DESCRIPTION	QTY
		1 2 3 4	
1	101987901	Connector, Harness Assembly, Headlight	2
2	102894501	Light, Turn Signal, Round, 3" (includes item 3)	2
3	103521001	Bulb, Signal, Marker	1
4	103213301	Harness, Wire, XRT/CA Restyle Headlights	1
5	103218104	Screw, #8x1.25 Ab Thd, Hex Hd	2
6	103218107	Screw, #8x2.00 AB Thd, Hex Hd	2
7	103218113	Screw, #8x3.50 Ab Thd, Hex Hd	2
8	103966401	Headlight, Round, 6", 8610 (includes item 9)	2
9	102535101	Bulb, Headlight, 37.5 W	1
<p style="margin-left: 40px;">Note: This headlight is made of polycarbonate.</p>			

9

D

9

D



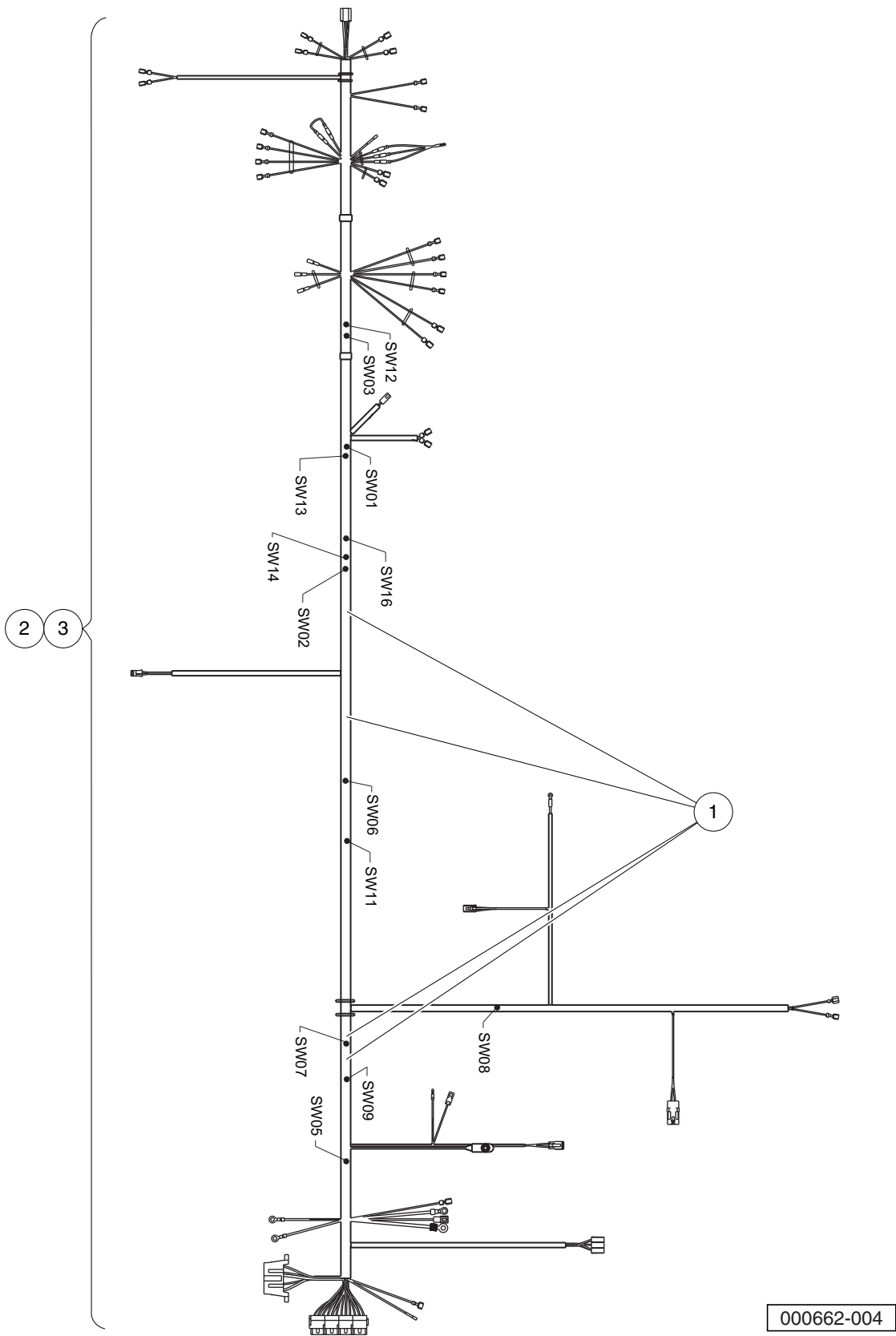
000880-009

HEADLIGHTS – INTELLITACH

ITEM	PART NO.	DESCRIPTION	QTY
		1 2 3 4	
1	102885001	Headlight, Round, 4" (includes item 2)	4
2	103762501	Bulb, Halogen, 35/35 Hi/lo	1
3	103213201	Harness, Wire, IntelliTach Headlights	1
4	103213501	Harness, Wire, Headlight Connector	4

9

D



WIRING – KUBOTA DIESEL ENGINE, ONE-PIECE HARNESS

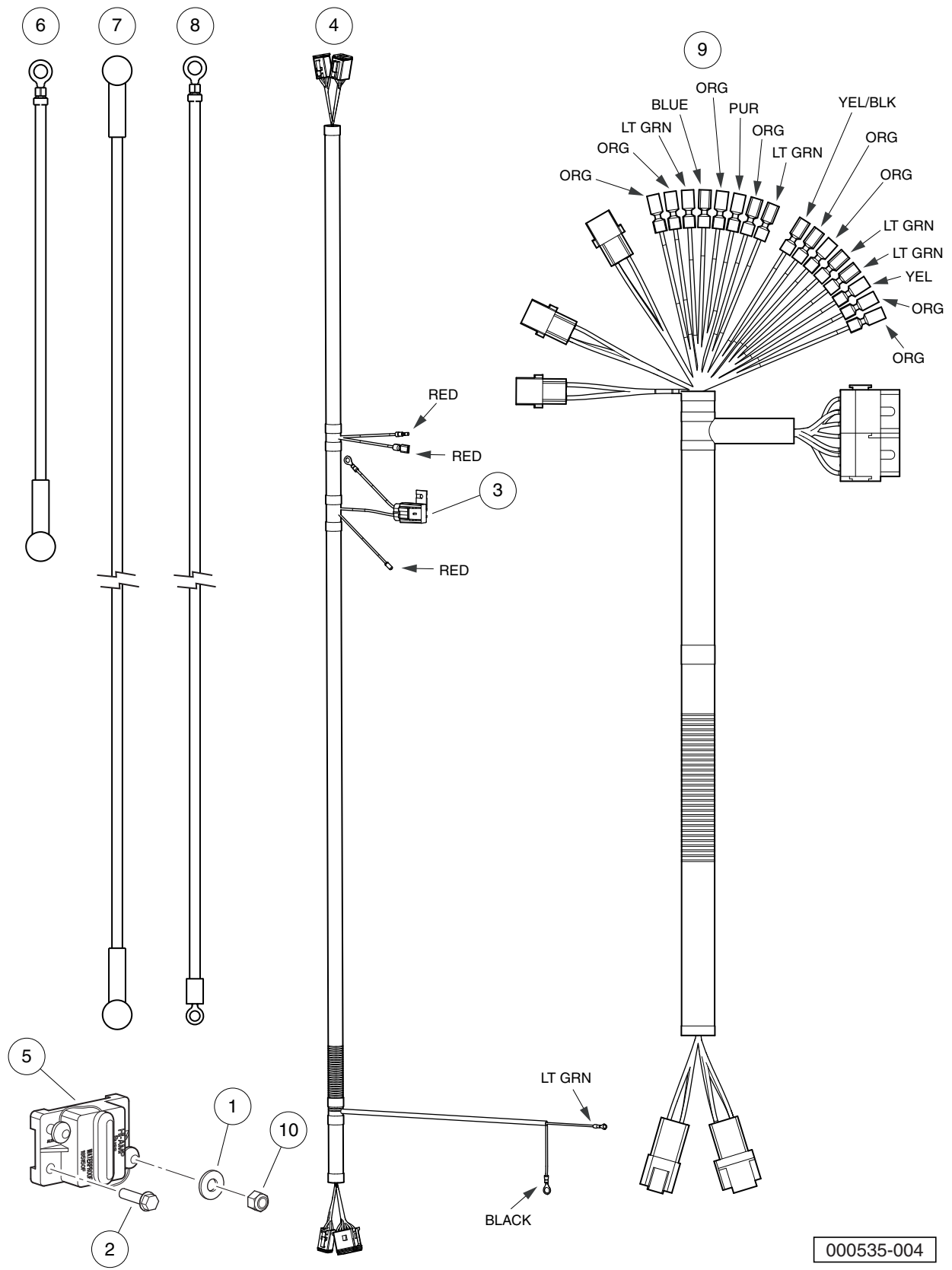
ITEM	PART NO.	DESCRIPTION	QTY
		1 2 3 4	
1	1014789	Diode, General Purpose, 3.0-Amp	4
2	103277501	Harness, Wire, AWD, Diesel, 295/1550	1
3	103277701	Harness, Wire, AWD, Diesel, 295 SE/1550 SE	1
<p style="text-align: center;">Note: Item 2 is for use with 81.5 in. (207 cm) wheelbase vehicle. Item 3 is for use with 114 in. (289.5 cm) wheelbase vehicle.</p>			

9

D

9

D



000535-004

WIRING – HYDRAULIC ATTACHMENT (INTELLITACH)

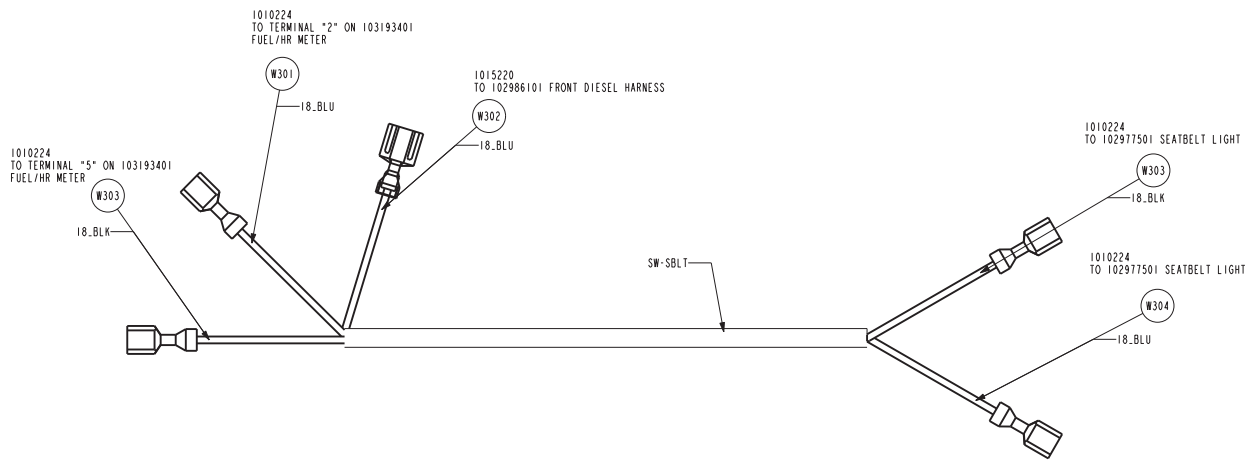
ITEM	PART NO.	DESCRIPTION	QTY
		1 2 3 4	
1	1011931	Washer, 1/4 Flat	2
2	1014063	Screw, 1/4-20 X 1.00, Hex Head	2
3	1016423	Fuse, 20-Amp	1
4	102786401	Wire Harness, Powerunit	1
5	102936801	Breaker, Circuit, 150-Amp	1
6	102937401	Wire Asm, #6, Red, Bt	1
7	102937501	Wire Asm, #6, Red, Bt	1
8	102937601	Wire Asm, #6, Black, Bt	1
9	103245801	Wire Harness, Control Panel	1
10	8717	Locknut, Nylon Insert, 1/4-28	2

9

D

9

D



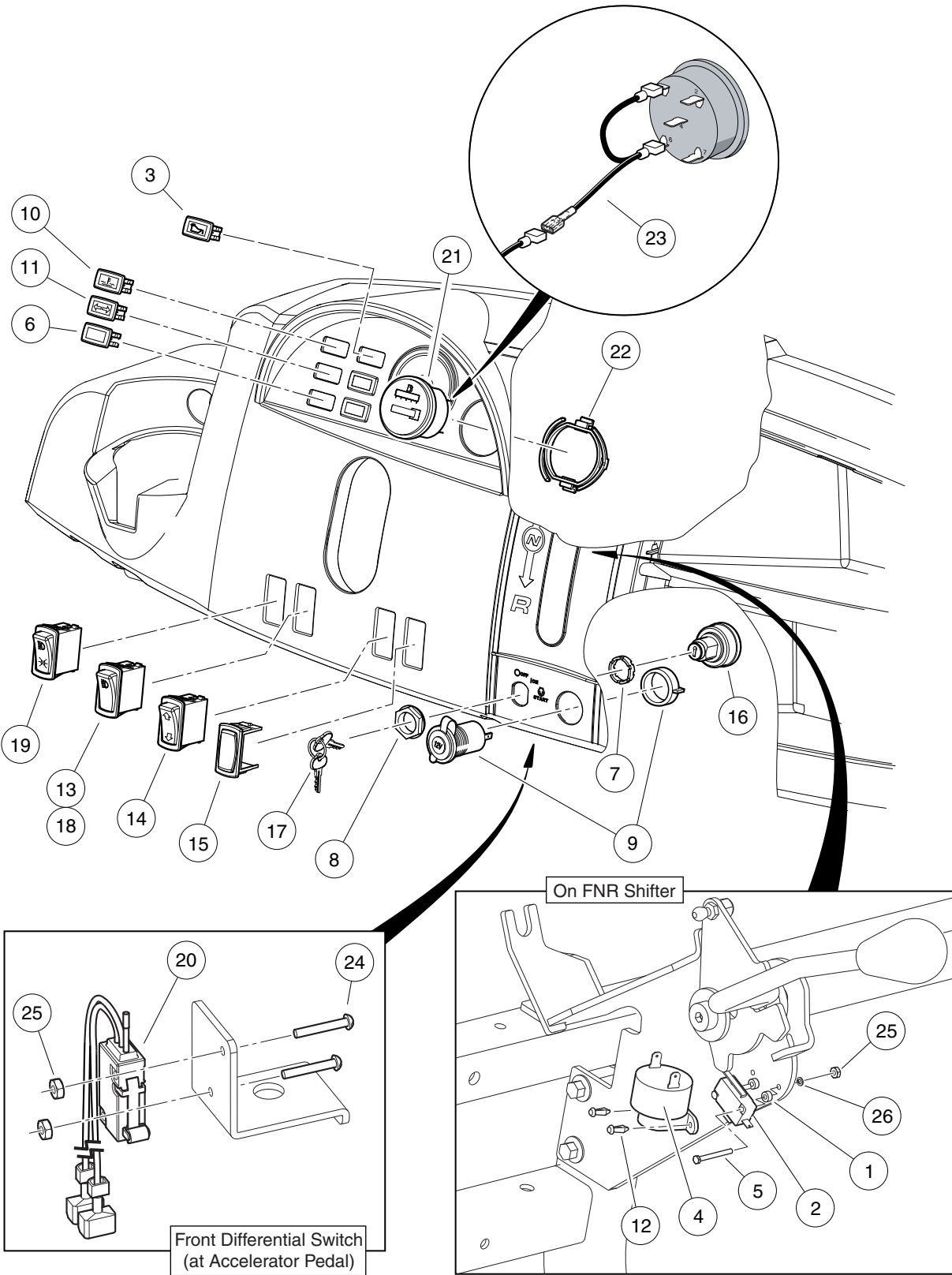
000535-005

WIRING – SEAT BELT REMINDER (INTELLITACH)

ITEM	PART NO.	DESCRIPTION	QTY
1	103213401	1 2 3 4 Harness, Wire, Seatbelt Light	1

9

D



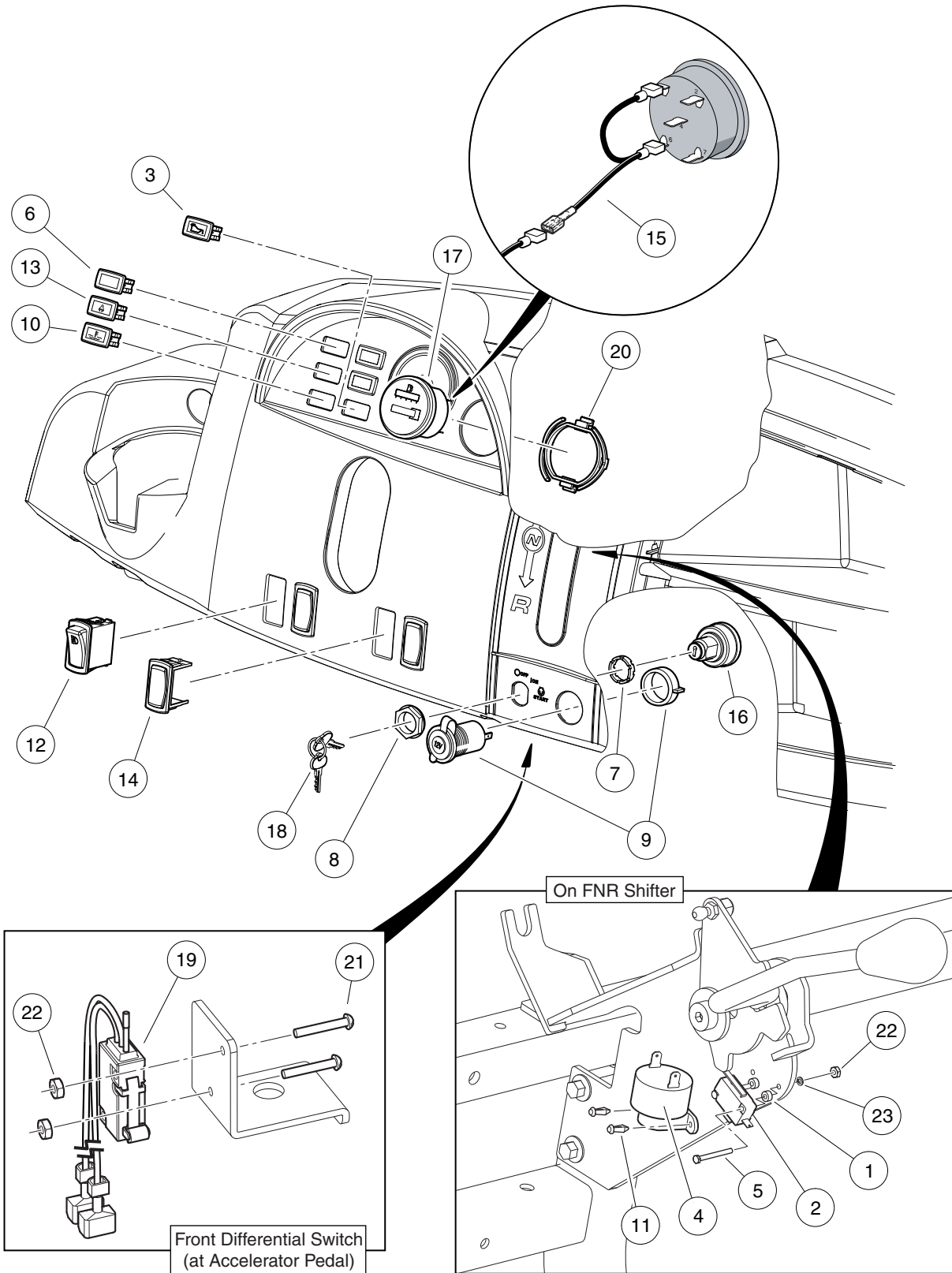
000543-014

ELECTRICAL COMPONENTS, FRONT BODY – DIESEL VEHICLE

ITEM	PART NO.	DESCRIPTION	QTY
		1 2 3 4	
1	1014727	Washer, Flat, #4, Nylon	2
2	1014808	Switch, Limit	1
3	1016630	Light, Oil	1
4	1016851	Buzzer, Reverse (9-48 VDC)	1
5	1016896	Screw, #4-40 X 1.125 Hx Hd Mch	2
6	101802601	Plug, Hole	5
7	102051601	Spacer, Keyswitch	1
8	102051701	Nut, Key Switch	1
9	102198001	Receptacle, Accessory	1
10	102375401	Light, Indicator, Coolant Temp	1
11	102495701	Light, Indicator, Turn Signals	1
12	102499001	Rivet, Micro Tuflok	2
13	102869401	Switch, Rocker, Light	1
14	102882501	Switch, Rocker, Bed Lift	1
15	103180101	Cover, Hole, Switch, Rocker	3
16	103208801	Keyswitch, 12v, Diesel	1
17	103234401	Keys (set of 2)	1
18	103310701	Switch, High Beam, Homologatn	1
19	103324901	Switch, 3-pos, Euro, Restyle	1
20	103327201	Asm, Switch, Limit, Awd	1
21	103348101	Gauge, Fuel-hour, Sep Gnd	1
22	103348201	Clip, Meter, Round	1
23	103348501	Asm, Wire Meter, F-h Jumper	1
24	8056	Screw, #4-40 X 0.75 Round-Head Machine	2
25	8057	Nut, #4-40 Hex Machine	4
26	8058	Lockwasher, #4 Split	2
<p>Note: Item 4, reverse buzzer, is only if equipped. NOTE 2: Items 22, clip, and 23, jumper wire, are required with item 21, fuel/hour gauge. NOTE 3: Item 14, bed lift switch, is only if equipped.</p>			

9

D



000543-015

ELECTRICAL COMPONENTS, FRONT BODY – INTELLITACH

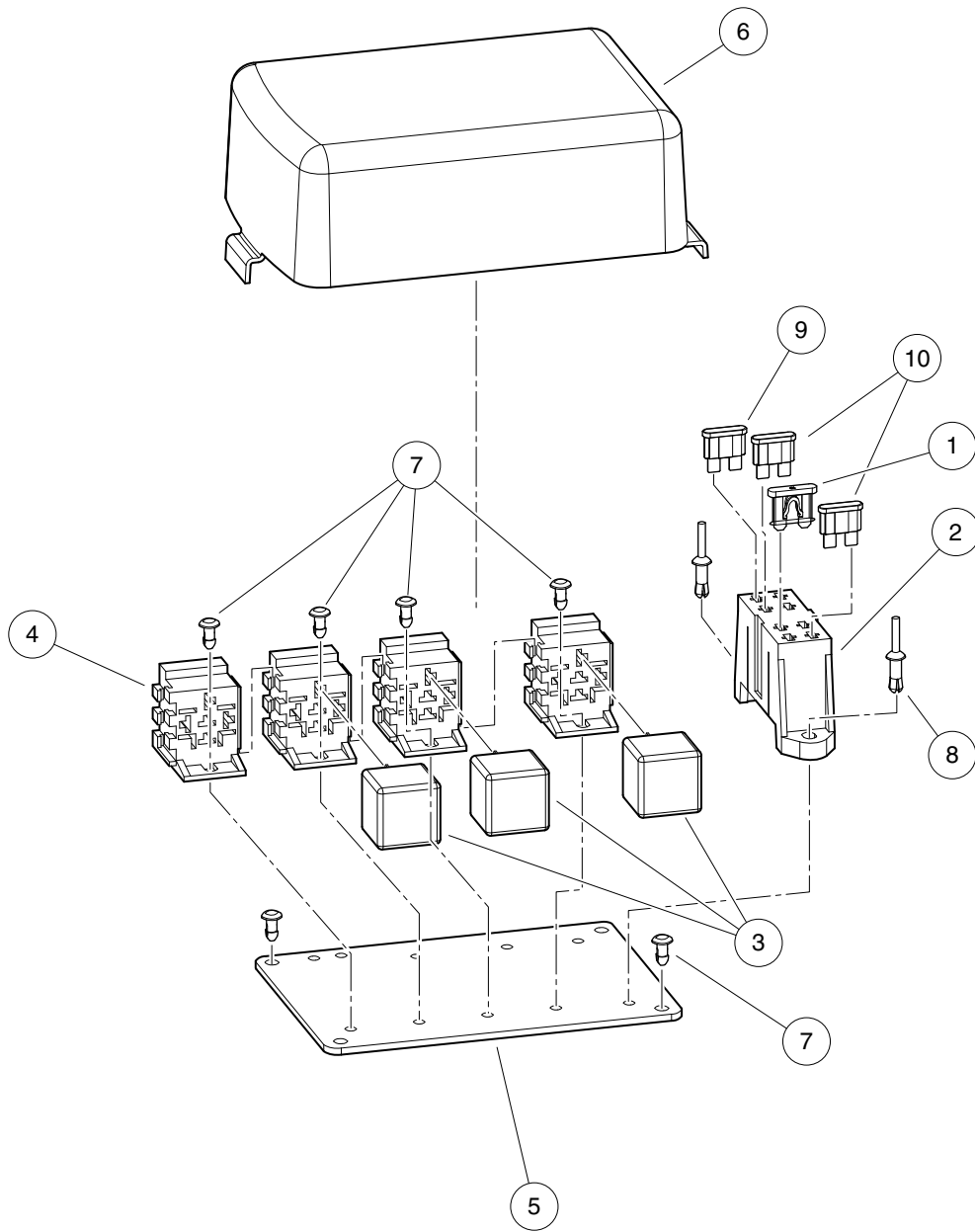
ITEM	PART NO.	DESCRIPTION	QTY
		1 2 3 4	
1	1014727	Washer, Flat, #4, Nylon	2
2	1014808	Switch, Limit	1
3	1016630	Light, Oil	1
4	1016851	Buzzer, Reverse (9-48 VDC)	1
5	1016896	Screw, #4-40 X 1.125 Hx Hd Mch	2
6	101802601	Plug, Hole	5
7	102051601	Spacer, Keyswitch	1
8	102051701	Nut, Key Switch	1
9	102198001	Receptacle, Accessory	1
10	102375401	Light, Indicator, Coolant Temp	1
11	102499001	Rivet, Micro Tuflok	2
12	102869401	Switch, Rocker, Light	1
13	102977501	Light, Indicator, Seat Belt	1
14	103180101	Cover, Hole, Switch, Rocker	3
15	103205801	Asm, Wire, Meter F/h/sb Jumpr	1
16	103208801	Keyswitch, 12v, Diesel	1
17	103234001	Gauge, F/h, Sep Gnd Timer	1
18	103234401	Keys (set of 2)	1
19	103327201	Asm, Switch, Limit, Awd	1
20	103348201	Clip, Meter, Round	1
21	8056	Screw, #4-40 X 0.75 Round-Head Machine	2
22	8057	Nut, #4-40 Hex Machine	4
23	8058	Lockwasher, #4 Split	2
Note: Item 4, reverse buzzer, is only if equipped. NOTE 2: Items 15, jumper wire, and 20, clip, are required with item 17, fuel/hour gauge.			

9

D

9

D



000076-004

ELECTRICAL COMPONENT BOX, DIESEL VEHICLE

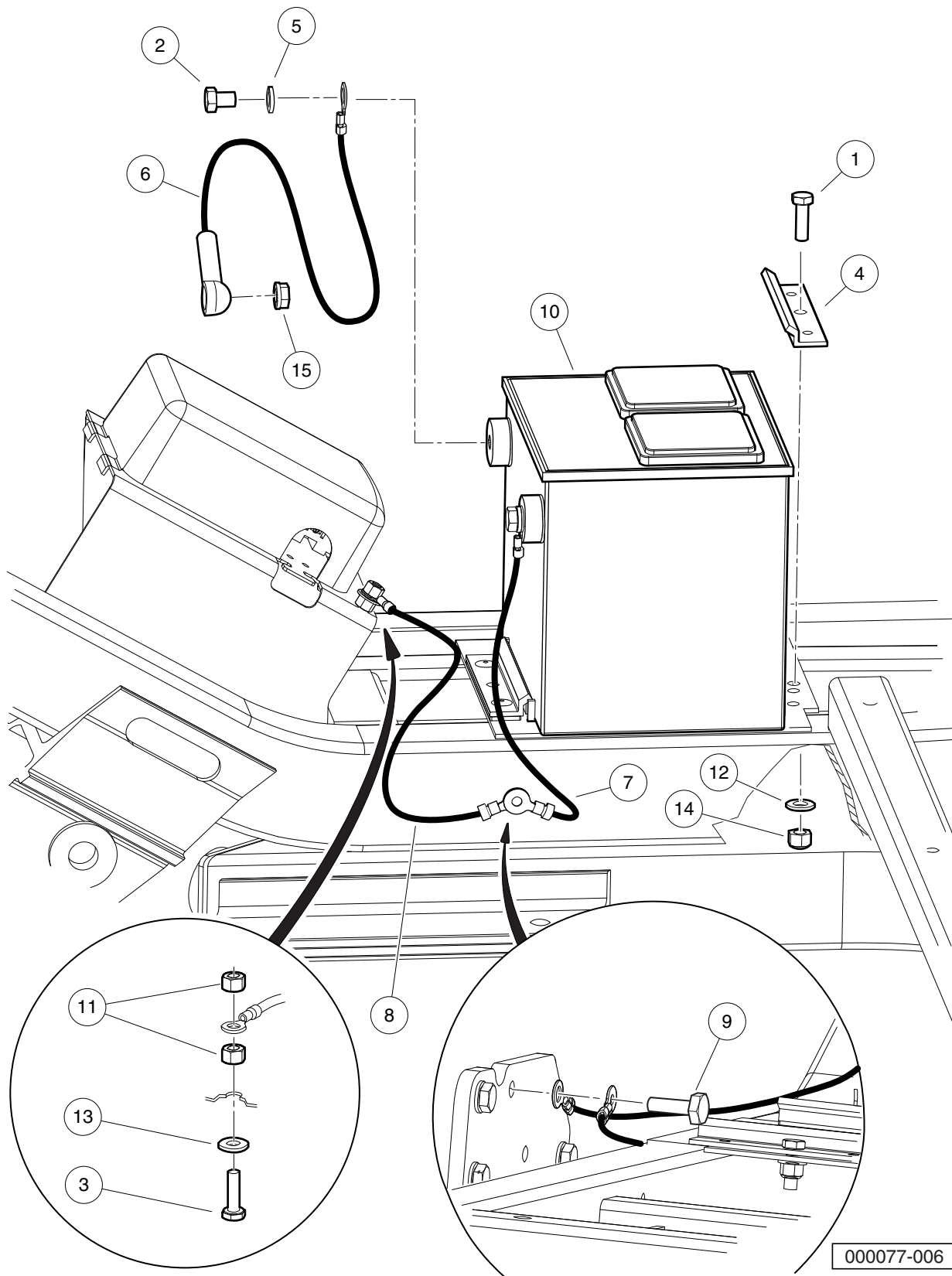
ITEM	PART NO.	DESCRIPTION	QTY
		1 2 3 4	
1	1012295	Fuse, 10-Amp	1
2	1015741	Fuse Block	1
3	102420201	Relay, Mini ISO, SPDT	3
4	102420301	Connector, Relay	4
5	102420401	Plate, Electrical	1
6	102420501	Cover, Electrical	1
7	102447901	Fastener, Push-in	8
8	102448001	Rivet, Drive	2
9	102492201	Fuse, 25-Amp	1
10	102492301	Fuse, 30-Amp	2

9

D

9

D



000077-006

BATTERY – DIESEL VEHICLE

ITEM	PART NO.	DESCRIPTION	QTY
		1 2 3 4	
1	1010934	Screw, 5/16-18 X 1.00 Hex Cap	1
2	1014375	Screw, 3/8-16 X 0.50, Stainless Steel, Hex-Head	2
3	1015521	Screw, 1/4-20 X .88 Hex Hd Cap	1
4	101898001	Clamp, Battery	1
5	102355301	Lockwasher, 3/8 Split Ss	2
6	102442201	Asm, #6 Red Wire	1
7	102448401	Wire Asm, #6 Blk, Awd, 350	1
8	102448501	Wire Asm, #6 Blk, Awd, 325	1
9	102498201	Bolt, M10 X 1.25 X 25, Loctite	1
10	103496801	Battery, Start, 12v	1
11	1108	Locknut, 1/4-20 Dimpled	2
12	1241	Washer, 5/16 Type A Flat	1
13	332	Washer, 1/4 Type A Narrow Flat	1
14	7473	Locknut, 5/16-18 Nylon Insert	1
15	96704416	Nut, Flange, M8 X 1.25 Serrated	1

9

D

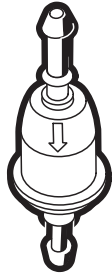
9

D

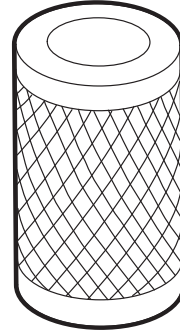
ENGINE – KAWASAKI FH680D GASOLINE

10

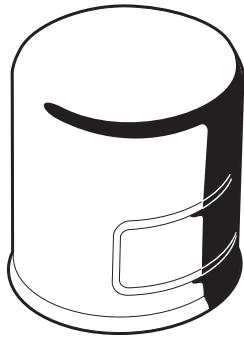
G



2



3



4



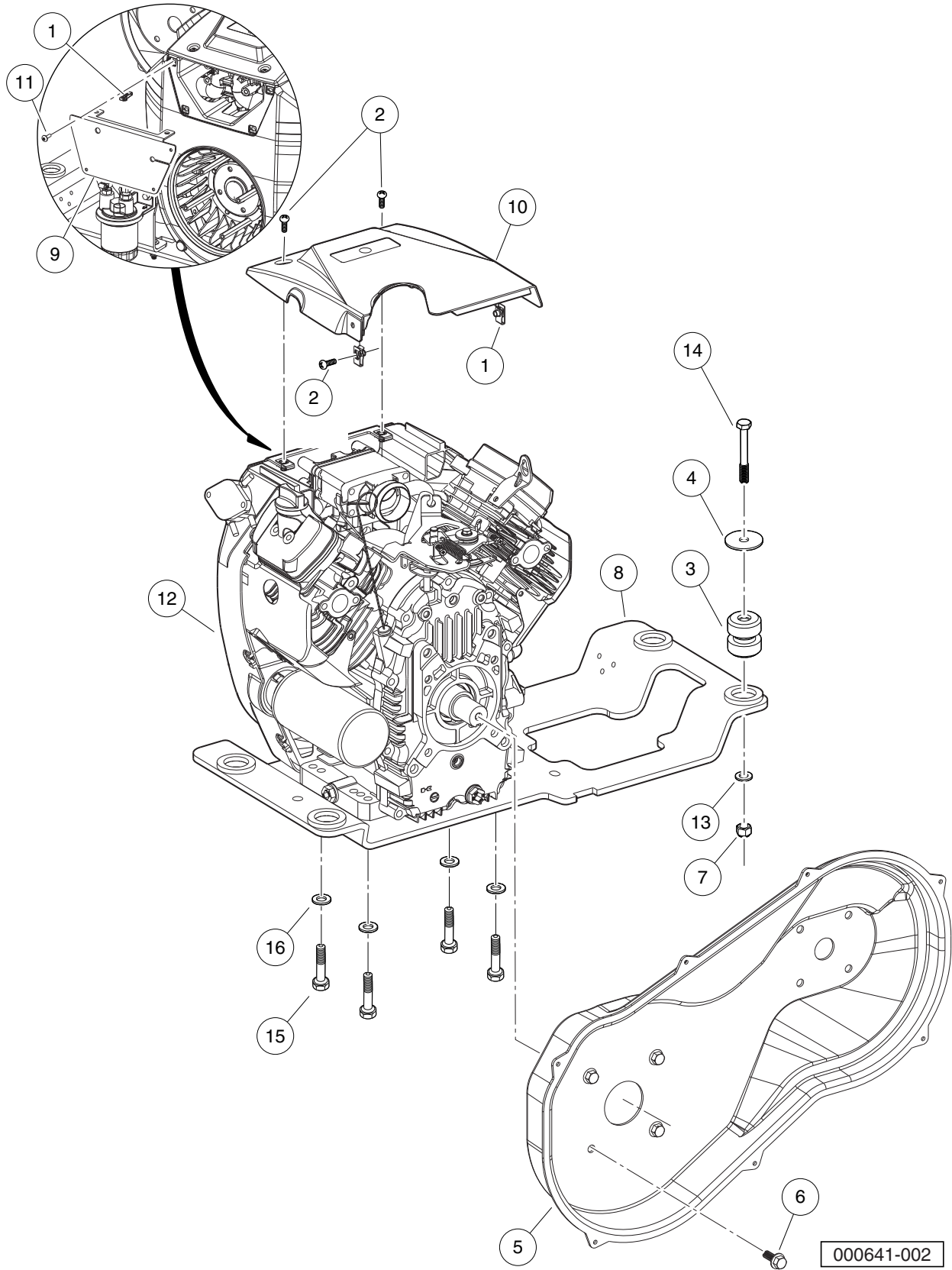
5

000992-001

TUNE-UP KIT – KAWASAKI FH680

ITEM	PART NO.	DESCRIPTION	QTY
		1 2 3 4	
1	AM1232401	Kit, Tune-Up (For Kawasaki V-twin engines) (includes items 2 through 5)	1
2	102003201	Filter, Fuel, 30 Micron	1
3	102498601	Element, Filter, Air, 5 Inch	1
4	103887901	Filter, Oil, Kawasaki	1
5	AM1232301	Spark Plug, BPR2ES	2

10
G



000641-002

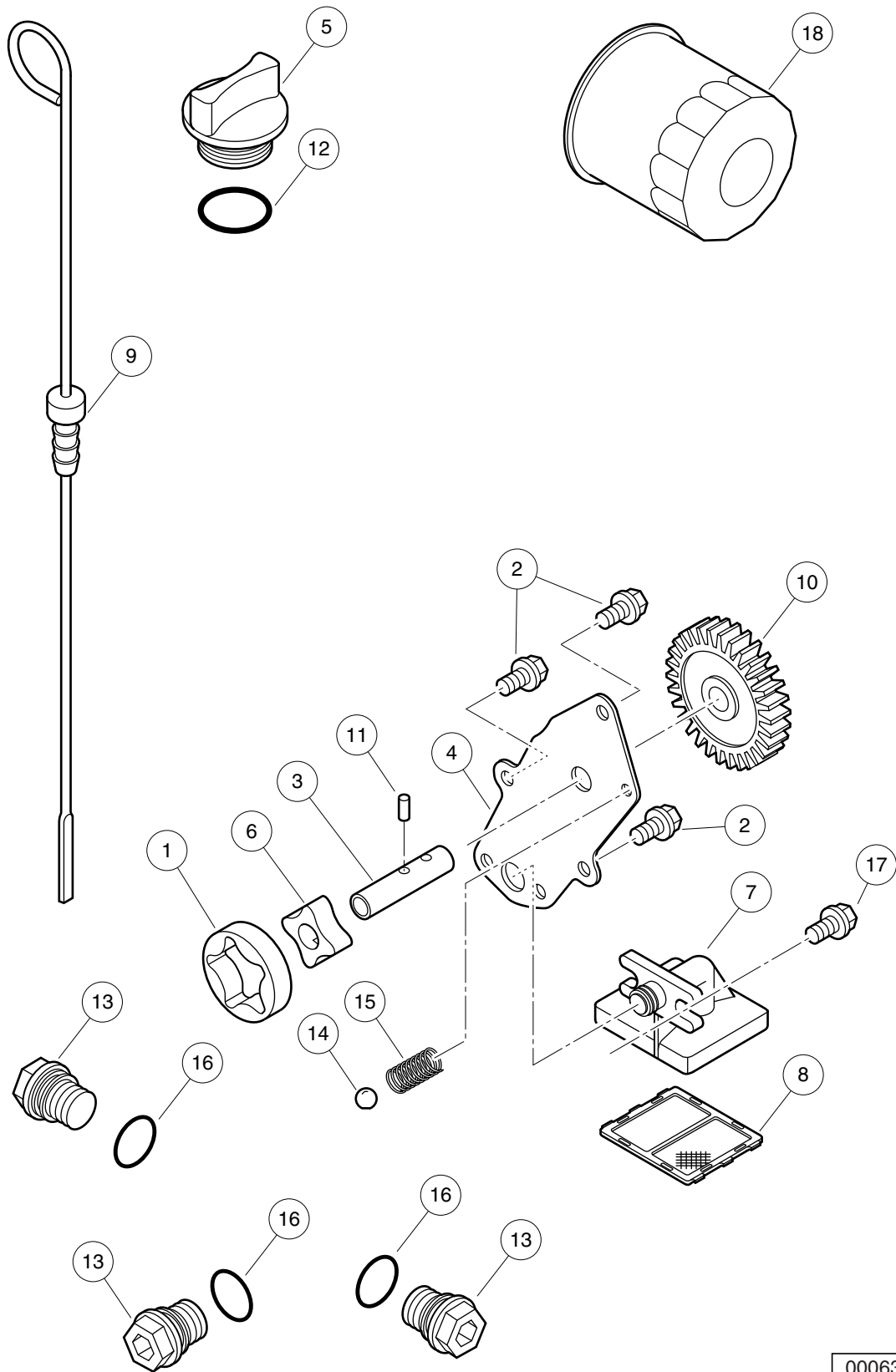
KAWASAKI FH680D GASOLINE ENGINE AND MOUNTING

ITEM	PART NO.	DESCRIPTION	QTY
		1 2 3 4	
1	102296601	U-Nut, M6-1.0, Prevailing Torque	4
2	102296920	Screw, M6, Torx Button Head, Sems	4
3	102370501	Isolator Ring and Bushing	4
4	102370601	Washer, Snubbing, Ring N Bush	4
5	102462504	Cover, Cvt, Inner Fh680d	1
6	102491001	Bolt, Flanged Head, 3/8-16x1.0 with Loctite	4
7	102740401	Locknut, M12x1.75 Nylon Insert	4
8	102951901	Weldment, Eng Mnt, Kaw, Fh680d	1
9	103208701	Engine, Front Cover, Fh680d	1
10	103262901	Cover, Engine, Top	1
11	103279201	Screw, Pn Hd Blk, 10-16 X .625	4
12	103528201	Engine, Kawasaki, FH680D	1
13	96701412	Washer, M12 Hard	4
14	96704721	Bolt, M12 X 1.75 X 90	4
15	96704960	Bolt, M10 X 1.5 X 60	4
16	96741046	Washer, M10, Hard	4

10

G

10
G



000637-004

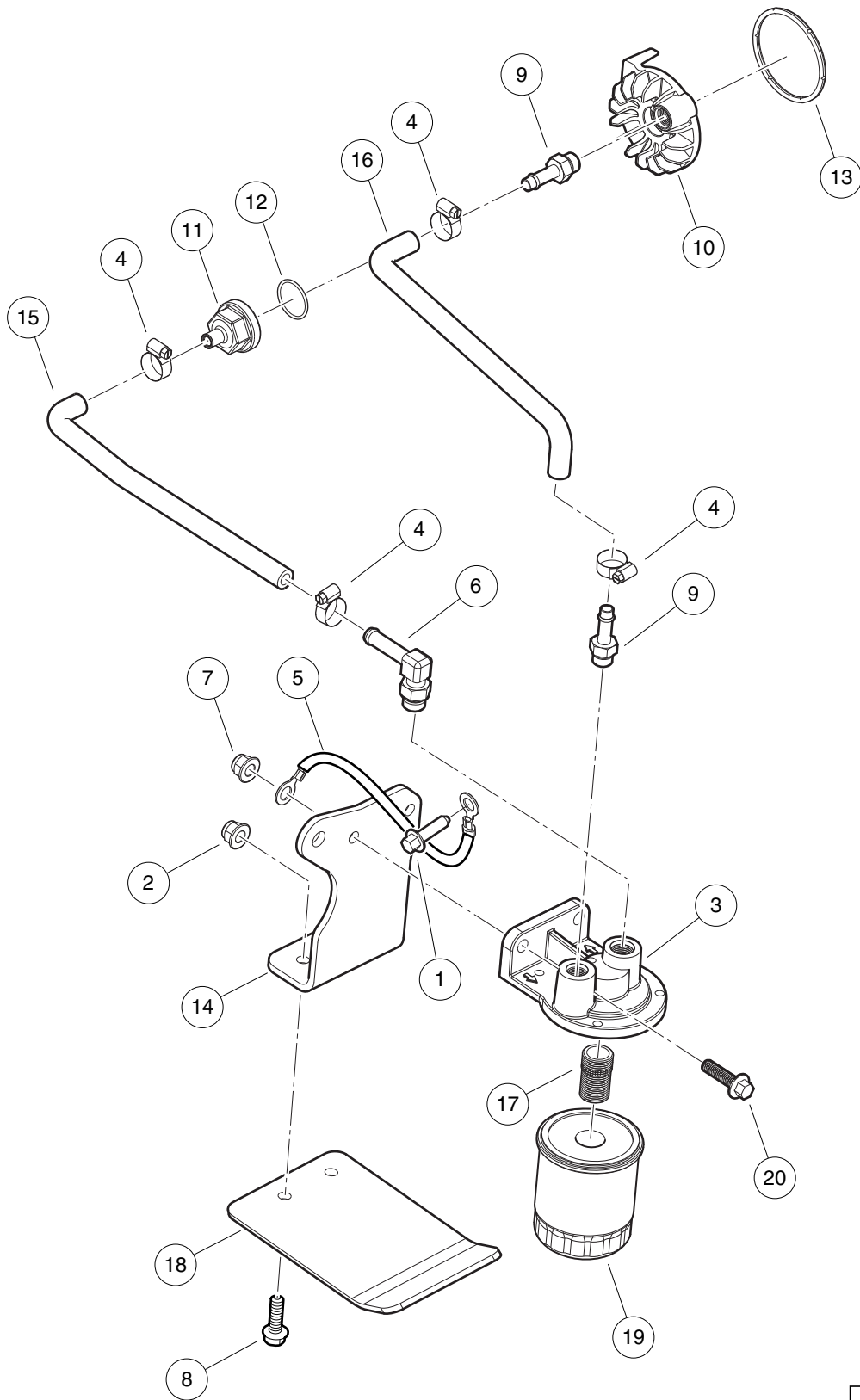
OIL AND LUBRICATION COMPONENTS

ITEM	PART NO.	DESCRIPTION	QTY
		1 2 3 4	
1	101648201	Rotor, Pump, Oil, Outer	1
2	102992401	Bolt, Flg, M6 X 1.0 X 12	3
3	102996901	Shaft, Oil Pump, Fh	1
4	102997001	Plate, Oil Pump, Fh	1
5	102997101	Cap, Oil, Fill, Fh	1
6	102997201	Rotor, Pump, Oil, Inner, Fh	1
7	102997401	Pickup, Oil, Fh	1
8	102997601	Screen, Pickup, Oil, Fh	1
9	102997701	Gauge, Oil, Fh	1
10	102997801	Gear, Spur, Oil Pump, Fh	1
11	102997901	Pin, Oil Pump, Fh	2
12	102998001	O-ring, Cap, Oil, Fill, Fh	1
13	102998101	Plug, Oil Drain, Fh	3
14	102998201	Ball, Oil Pump, Fh	1
15	102998301	Spring, Oil Pump, Fh	1
16	102998401	O-ring, Drain Plug, Oil, Fh	3
17	103300301	Bolt, Oil Pickup, Fh	2
18	103887901	Filter, Oil, Kawasaki	1

10

G

10
G



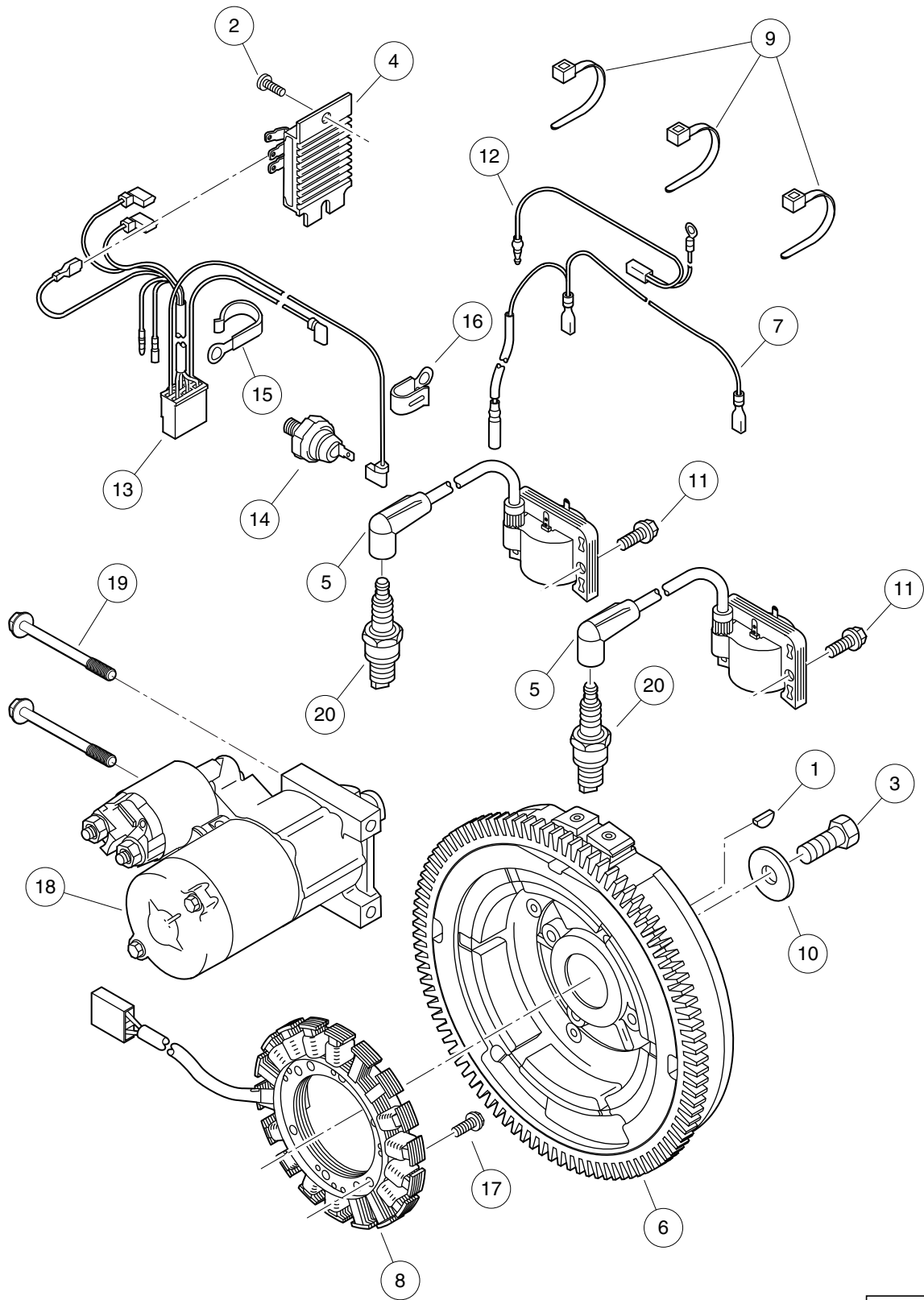
000671-004

OIL FILTER ADAPTER – KAWASAKI FH680

ITEM	PART NO.	DESCRIPTION	QTY
		1 2 3 4	
1	102289001	Screw, M8X1.25X30, Hex	1
2	102298401	Nut,m8,all Metal Lock	2
3	102371401	Bracket, Oil Filter Mount	1
4	102443601	Clamp, Hose	4
5	102448501	Wire Asm, #6 Blk, Awd, 325	1
6	102457501	Adapter, 90, 3/8 Tube	1
7	102618601	Lock Nut, Flange, M8 X 1.25 Nylon	2
8	102621301	Bolt, M8 X 1.25 X 40 with Loctite	2
9	102722001	Adapter, 5/16 Hose	2
10	102958301	Adapter, Special, Oil Filter	1
11	102958401	Nut, Special, Hose Adapter	1
12	102958501	O-ring, 23.52 X 1.78mm	1
13	102958601	O-ring, Oil Filter Adapter	1
14	103197201	Bracket, Oil Filter, Fh680d	1
15	103240601	Hose, Formed, Oil, 5/16"	1
16	103246901	Hose, Formed, Oil, 5/16", Ret	1
17	103276201	Nipple, 3/4-16 X M20 X 1.5-6g	1
18	103326401	Guard, Oil Filter, Fh680d	1
19	103887901	Filter, Oil, Kawasaki	1
20	96705587	Bolt, M8 X 1.25 X 30	2

10
G

10
G



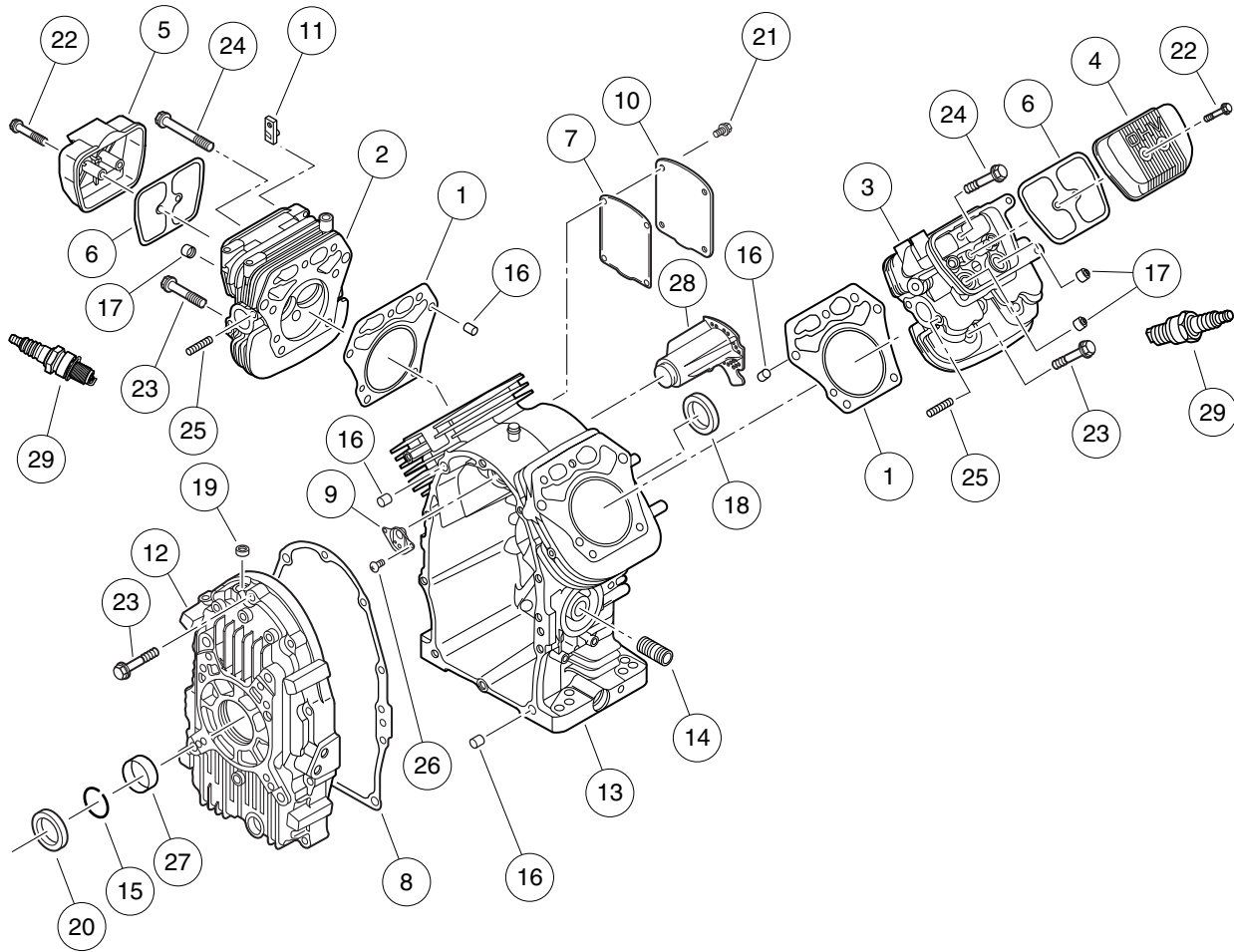
000626-002

IGNITION COMPONENTS AND FLYWHEEL – KAWASAKI FH680

ITEM	PART NO.	DESCRIPTION	QTY
		1 2 3 4	
1	N/A	Key	1
2	1016544	Screw	1
3	102994301	Bolt, Flg, M12 X 1.25 X 30	1
4	103000401	Regulator, Voltage, Fh	1
5	103000501	Asm, Coil, Ignition, Fh	2
6	103000601	Flywheel, Assy, Fh	1
7	103000801	Harness, Regulator, Fh	1
8	103000901	Coil, Charging, Fh	1
9	103001301	Band, Harness, Fh	3
10	103001501	Washer, Flywheel, Fh	1
11	103298501	Bolt, Flanged, M6 X 20, Kaw	4
12	103299501	Harness, Ignition, Fh	1
13	103299601	Harness, Engine, Main, Fh	1
14	103299701	Switch, Oil Pressure, Fh	1
15	103299801	Clamp, Harness, Large, Fh	1
16	103299901	Clamp, Harness, Small, Fh	1
17	103300101	Screw, Pan, Coil Mount, Fh	4
18	103345501	Starter, Electric, Fh680d	1
19	103687401	Bolt, Flg, M8 X 1.25 X 83	2
20	AM1232301	Spark Plug, BPR2ES	2

10

G

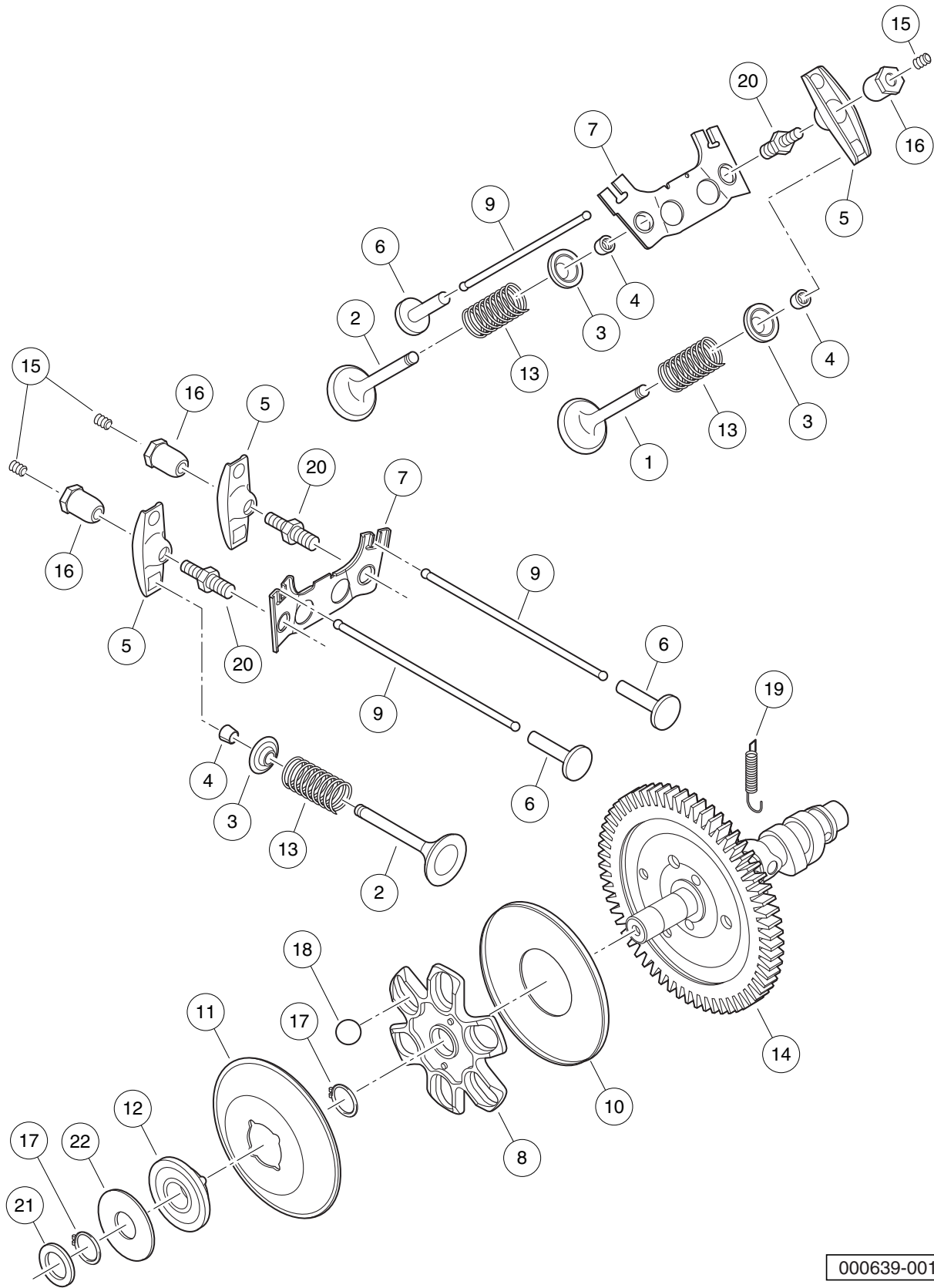


000638-003

CYLINDER HEAD AND CRANKCASE

ITEM	PART NO.	DESCRIPTION	QTY
		1 2 3 4	
1	102990101	Gasket, Head, Cyl, Fh	2
2	102990201	Head, Cyld 1, Fh	1
3	102990301	Head, Cyld 2, Fh	1
4	102990401	Cover, Rocker, Cyld 1, Fh	1
5	102990501	Cover, Rocker, Cyld 2, Fh	1
6	102990601	Gasket, Rocker, Cover, FH	2
7	102990701	Gasket, Breather, Fh	1
8	102990801	Gasket, Cover, Crank, Fh	1
9	102990901	Valve, Assy, Reed, Fh	1
10	102991101	Cover, Crkcase, Comp, Fh	1
11	102991201	Pipe, Head, Comp, Clyd, Fh	1
12	102991401	Cover, Crankcase, Fh	1
13	102991501	Crankcase, Comp, Fh	1
14	102991601	Nipple, Oil Filter, Fh	1
15	102991801	Ring, Snap, Fh	1
16	102991901	Pin, Head, Fh	6
17	102992001	Seal, Oil, Valve, Fh	4
18	102992101	Seal, Oil, Crank, Rear, Fh	1
19	102992201	Seal, Oil, Governor, Fh	1
20	102992301	Seal, Oil, Crank, Front, Fh	1
21	102992401	Bolt, Flg, M6 X 1.0 X 12	4
22	102992601	Bolt, Flg, M6 X 1.0 X 40	4
23	102992701	Bolt, Flg, M8 X 1.25 X 50	18
24	102992801	Bolt, Flg, M8 X 1.25 X 75	2
25	102992901	Stud, M8 X 1.25, Exhaust, Fh	4
26	103298601	Screw, Pan, Governor, Fh	2
27	103298901	Bushing, Main, Fh	1
28	103981201	Pipe, Crankcase Breather, Fh680 (with O-Ring)	1
29	AM1232301	Spark Plug, BPR2ES	2

10
G



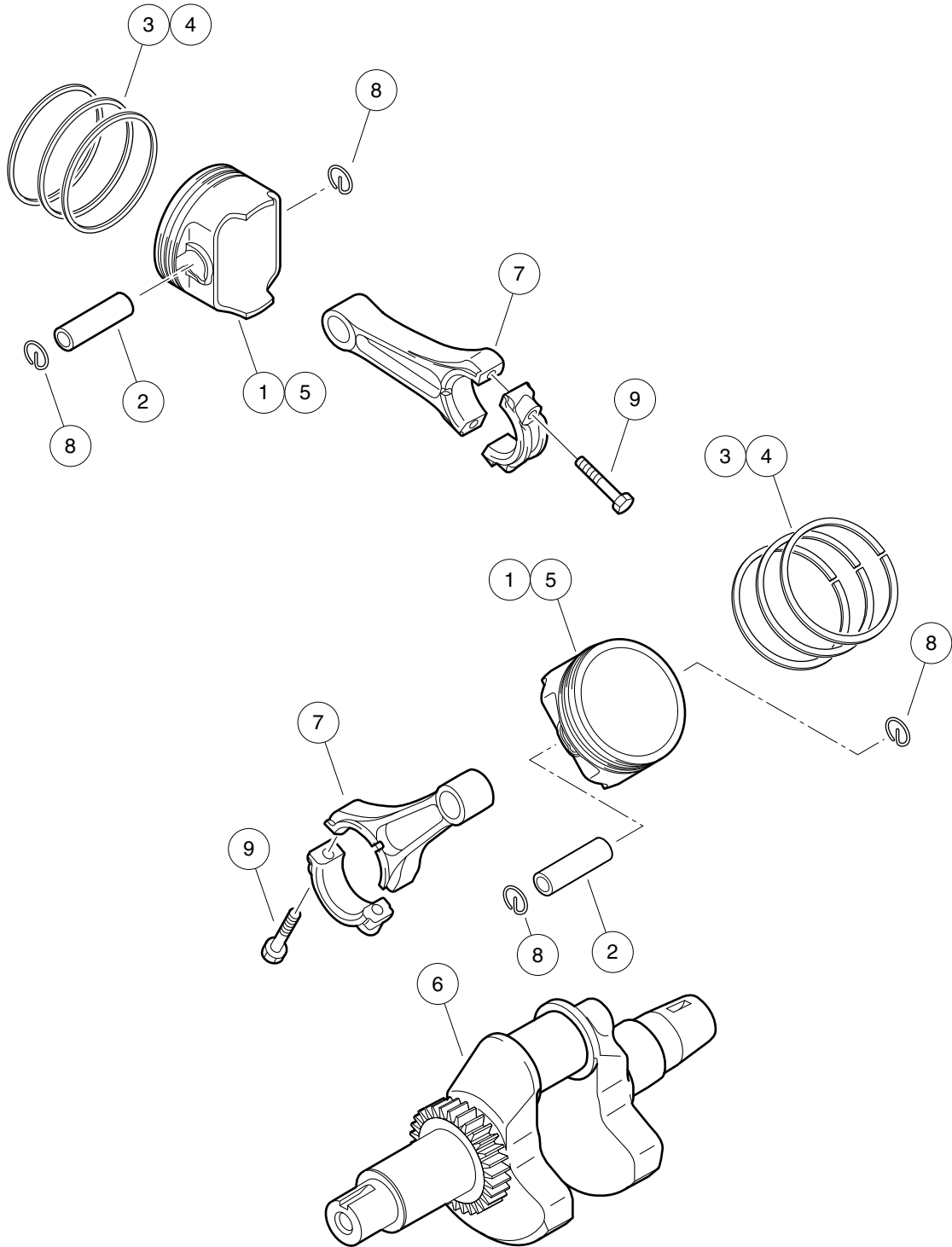
000639-001

VALVES AND CAMSHAFT

ITEM	PART NO.	DESCRIPTION	QTY
		1 2 3 4	
1	102994601	Valve, Intake, Fh	2
2	102994701	Valve, Exhaust, Fh	2
3	102994801	Retainer, Valve Spring, Fh	4
4	102994901	Collet, Spring, Valve, Fh	8
5	102995001	Arm, Rocker	4
6	102995101	Tappet, Rod, Push, Fh	4
7	102995201	Guide, Arm, Rocker, Fh	2
8	102995301	Guide, Camshaft, Gov, Fh	1
9	102995401	Rod, Push, Fh	4
10	102995501	Plate, Camshaft, Gov, Fh	1
11	102995601	Plate, Ring, Gov, Fh	1
12	102995701	Sleeve, Plate, Gov, Fh	1
13	102995801	Spring, Valve, Fh	4
14	102995901	Kit, Camshaft, Comp, Fh	1
15	102996001	Screw, Rocker Arm, Fh	4
16	102996101	Nut, Arm, Rocker, Fh	4
17	102996201	Ring, Snap, Gov, Fh	2
18	102996301	Ball, Guide, Gov, Fh	6
19	102996401	Spring, Camshaft, Fh	1
20	102996501	Stud, Rocker Arm, Fh	4
21	102996601	Washer, Sleeve, Gov, Fh	1
22	102996701	Washer, Gov, Fh	1

10

G



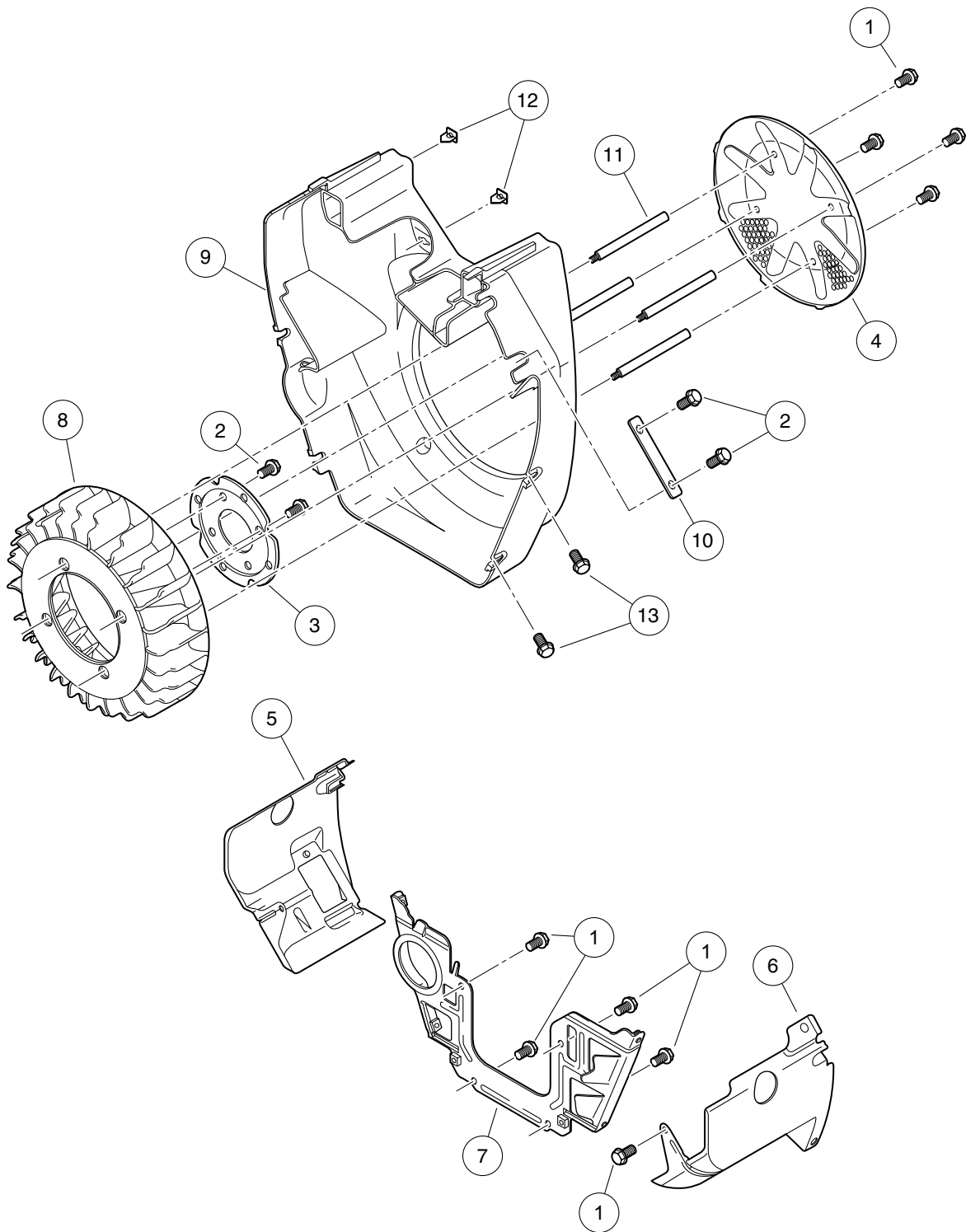
000640-001

PISTONS AND CRANKSHAFT

ITEM	PART NO.	DESCRIPTION	QTY
		1 2 3 4	
1	102993201	Piston, Engine, Fh	2
2	102993301	Pin, Piston, Engine, Fh	2
3	102993401	Ring, Set, Piston, Fh	2
4	102993501	Ring, Set, Piston, 0.50, Fh	A/R
5	102993601	Piston, Engine, 0.50, Fh	A/R
6	102993701	Crankshaft, Comp, Fh	1
7	102993901	Kit, Rod, Connecting, Fh	2
8	102994101	Ring, Snap, Pin, Piston, Fh	4
9	102994401	Bolt, Flg, M6 X 1.00 X 35	4

10

G



000625-001

SHROUDS AND BRACKETS

ITEM	PART NO.	DESCRIPTION	QTY
		1 2 3 4	
1	102992401	Bolt, Flg, M6 X 1.0 X 12	9
2	102992501	Bolt, Flg, M6 X 1.0 X 16	4
3	102998601	Plate, Housing, Fan, Fh	1
4	102998701	Screen, Fan, Fh	1
5	102999101	Shroud, Engine, Rh, Fh	1
6	102999201	Shroud, Engine, Lh, Fh	1
7	102999301	Shroud, Engine, Front, Fh	1
8	102999501	Fan, Cooling, Fh	1
9	102999601	Housing, Engine, Fh	1
10	103000001	Washer, Housing, Fan, Fh	1
11	103299301	Stud, Fan Screen, Fh	4
12	103299401	Nut, Press In, Front Cover, Fh	4
13	103300301	Bolt, Oil Pickup, Fh	4

10

G

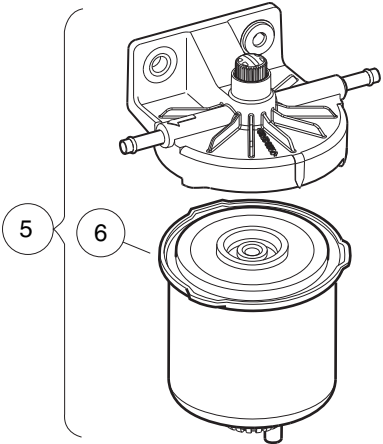
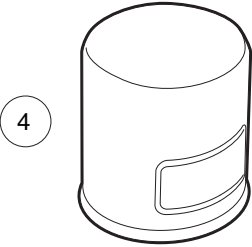
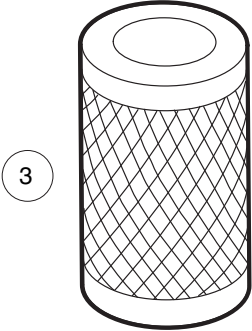
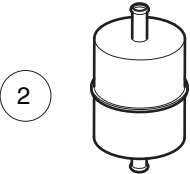
10

G

ENGINE – KUBOTA DIESEL, D722, E3B SERIES

11

D



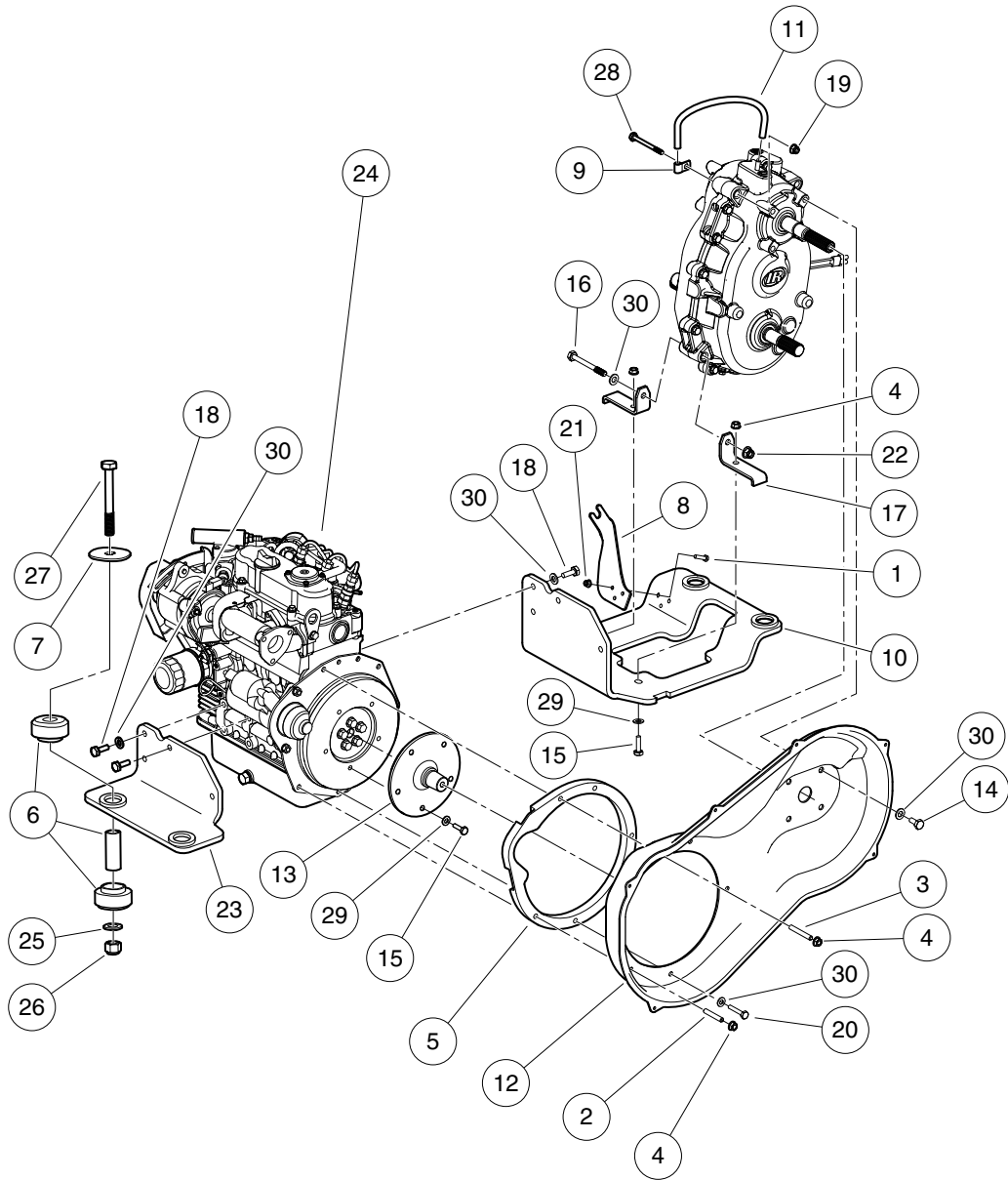
000992-002

TUNE-UP KIT – KUBOTA D722

ITEM	PART NO.	DESCRIPTION	QTY
		1 2 3 4	
1	AM11805	Kit, Tune-Up (For Kubota engines) (includes items 2 through 5)	1
2	102434701	Filter, Fuel	1
3	102498601	Element, Filter, Air, 5 Inch	1
4	102703301	Filter, Engine Oil, D722	1
5	103747301	Assembly, Filter/Bracket, Fuel, Diesel (includes item 6)	1
6	103761801	Filter, Fuel, Diesel	1

11

D



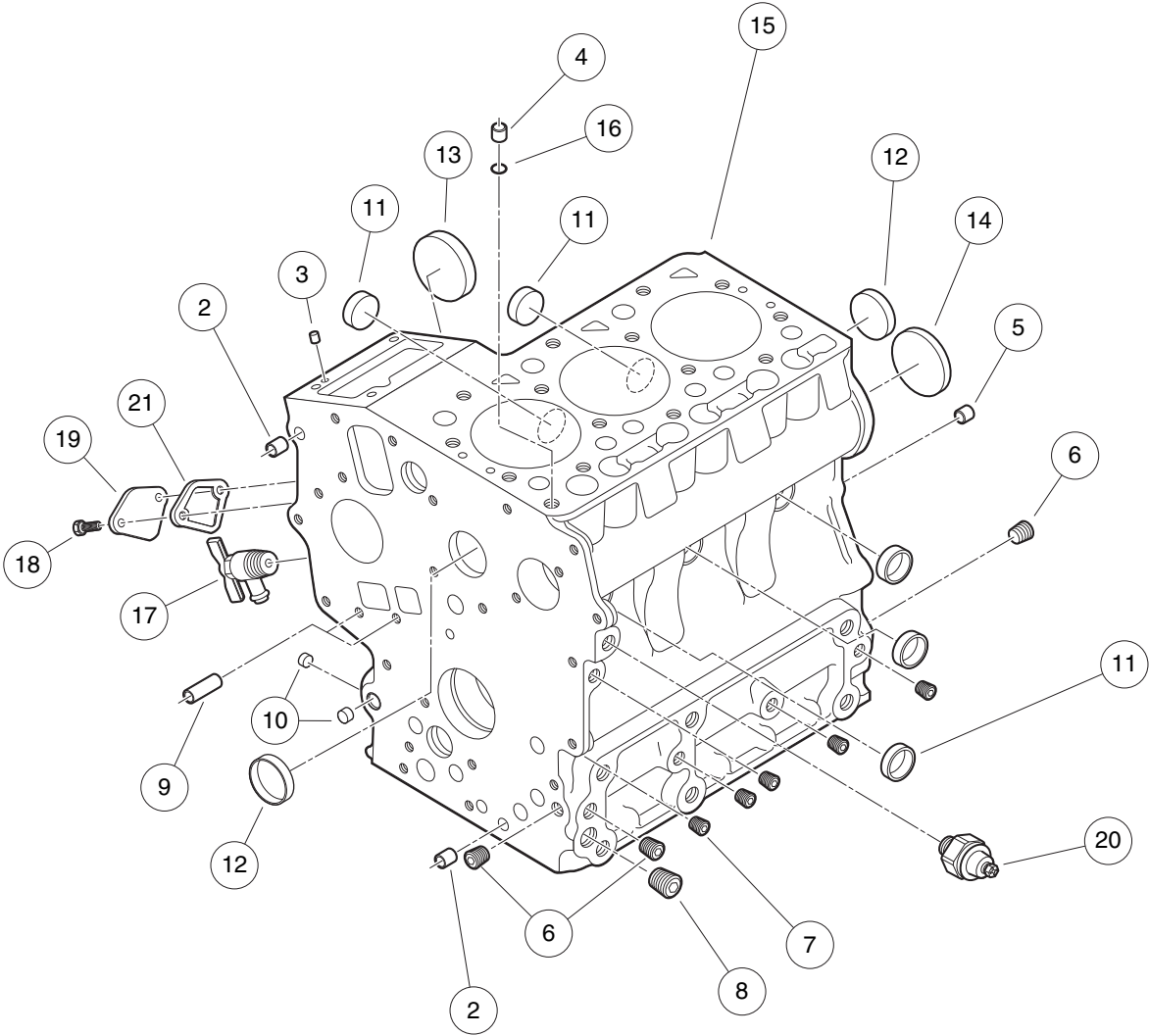
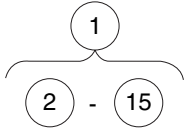
000025-005

DIESEL ENGINE AND ENGINE MOUNTING (D722 – E3B)

ITEM	PART NO.	DESCRIPTION	QTY
		1 2 3 4	
1	1012769	Screw, M6-1.00 X 25mm Hex Cap	3
2	101833101	Stud, M8-1.25 X 50 mm Two-Ended	1
3	101833201	Stud, M8-1.25 X 60mm Two-Ended	1
4	102298401	Nut,m8,all Metal Lock	7
5	102370101	Spacer, Engine, Diesel	1
6	102370501	Isolator Ring and Bushing	4
7	102370601	Washer, Snubbing, Ring N Bush	4
8	102382401	Bracket, FNR Trans Cable	1
9	102410603	P-Clamp, Insulated .312 In	1
10	102414801	Plate, Engine Mounting, Weld, Right-Hand	1
11	102462301	Hose, Vent, Transmission	1
12	102462501	Cover, CVT Inner, Diesel	1
13	102465901	Shaft, CVT Adapter	1
14	102490101	Bolt, M10 X 1.5 X 20 Loctite	4
15	102490201	Bolt, M8 X 1.25 X 25 Loctite	7
16	102490501	Bolt, M10 X 1.5 X 100 Loctite	1
17	102494401	Bracket, Transmission Mounting	2
18	102498201	Bolt, M10 X 1.25 X 25, Loctite	8
19	102618601	Lock Nut, Flange, M8 X 1.25 Nylon	1
20	102621301	Bolt, M8 X 1.25 X 40 with Loctite	3
21	102621501	Nut, Flange, M6 X 1.0, Nylon	3
22	102670701	Nut, Flange, M10 X 1.5 Nylon	1
23	102959001	Plate, Eng Mtg, Diesel, Lh	1
24	103883801	Engine, Kubota, D722, Mech, Ss	1
25	96701412	Washer, M12 Hard	4
26	96704622	Locknut, M12x1.75 Nylon Insert	4
27	96704721	Bolt, M12 X 1.75 X 90	4
28	96718978	Bolt, M8 X 1.25 X 80	1
29	96741038	Washer, M8 Hard	10
30	96741046	Washer, M10, Hard	12

11

D



000039-001

CRANKCASE (D722 – E3B)

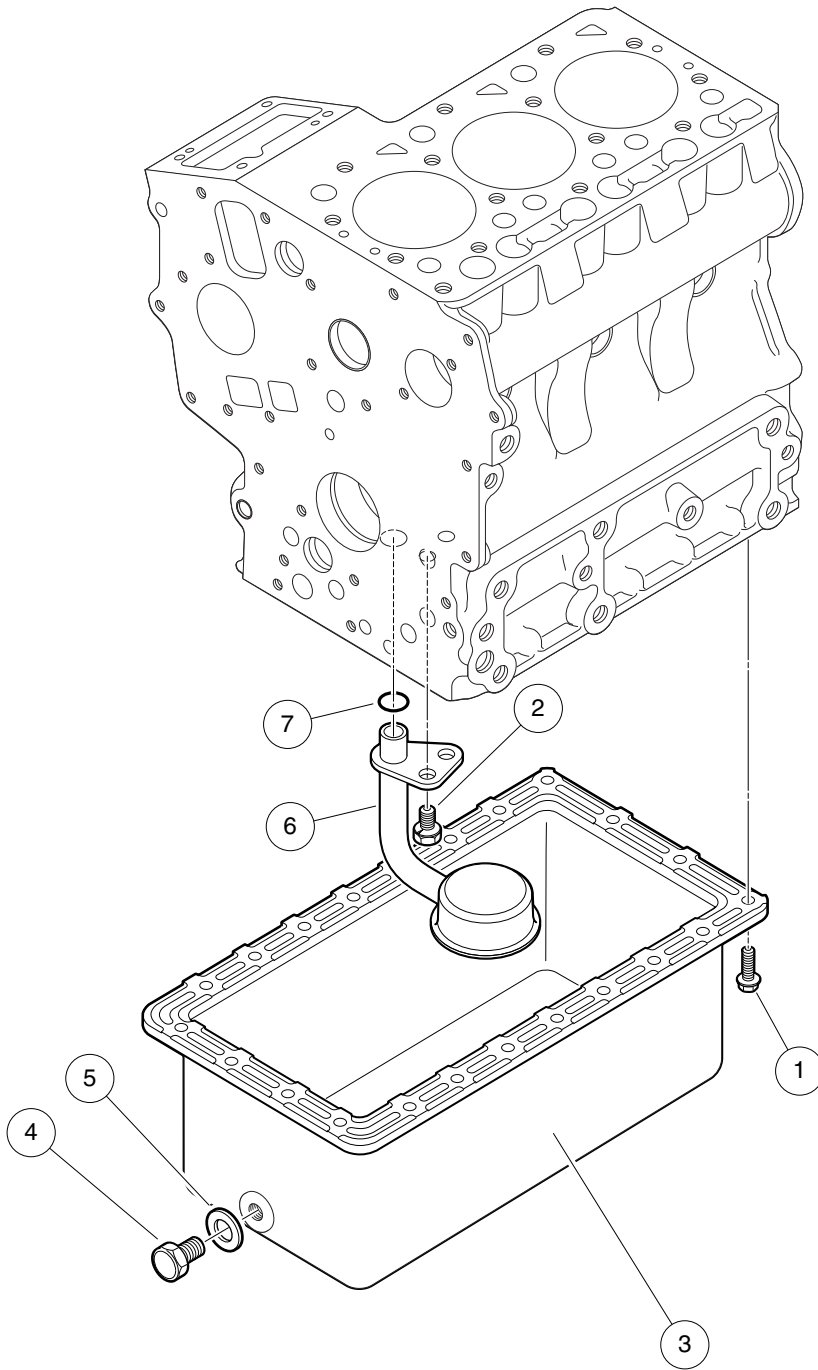
ITEM	PART NO.	DESCRIPTION	QTY
		1 2 3 4	
1	102600001	Engine Block (includes items 2 through 15)	1
2	102600101	Pin, Pipe, Dia 8 X 14	2
3	102600201	Pin, Straight, Dia 5 X 10	2
4	102600401	Pin, Pipe, Dia 7 X 14	1
5	102600601	Pin, Straight, Dia 8 X 16	2
6	102600701	Plug, 1/8"	3
7	102600801	Plug, 3/32"	5
8	102601001	Plug, 1/4"	1
9	102601301	Pin, Pipe, Dia 8 X 11	2
10	102726201	Cap, Sealing, Small	3
11	102726301	Cap, Sealing, Med	5
12	102726401	Cap, Sealing, Large	2
13	102726501	Cover, Fuel Camshaft	1
14	102726601	Plug, Expansion	1
15	N/A	Block, Engine	1
16	102600301	O Ring, 8 X 7	1
17	102601401	Cock, Drain	1
18	102631601	Bolt, M6 X 1 X 20	2
19	102700801	Plate, Engine Block	1
20	102730801	Switch, Oil Pressure	1
21	102732601	Gasket, Fuel Pump, D722	1

11

D

11

D



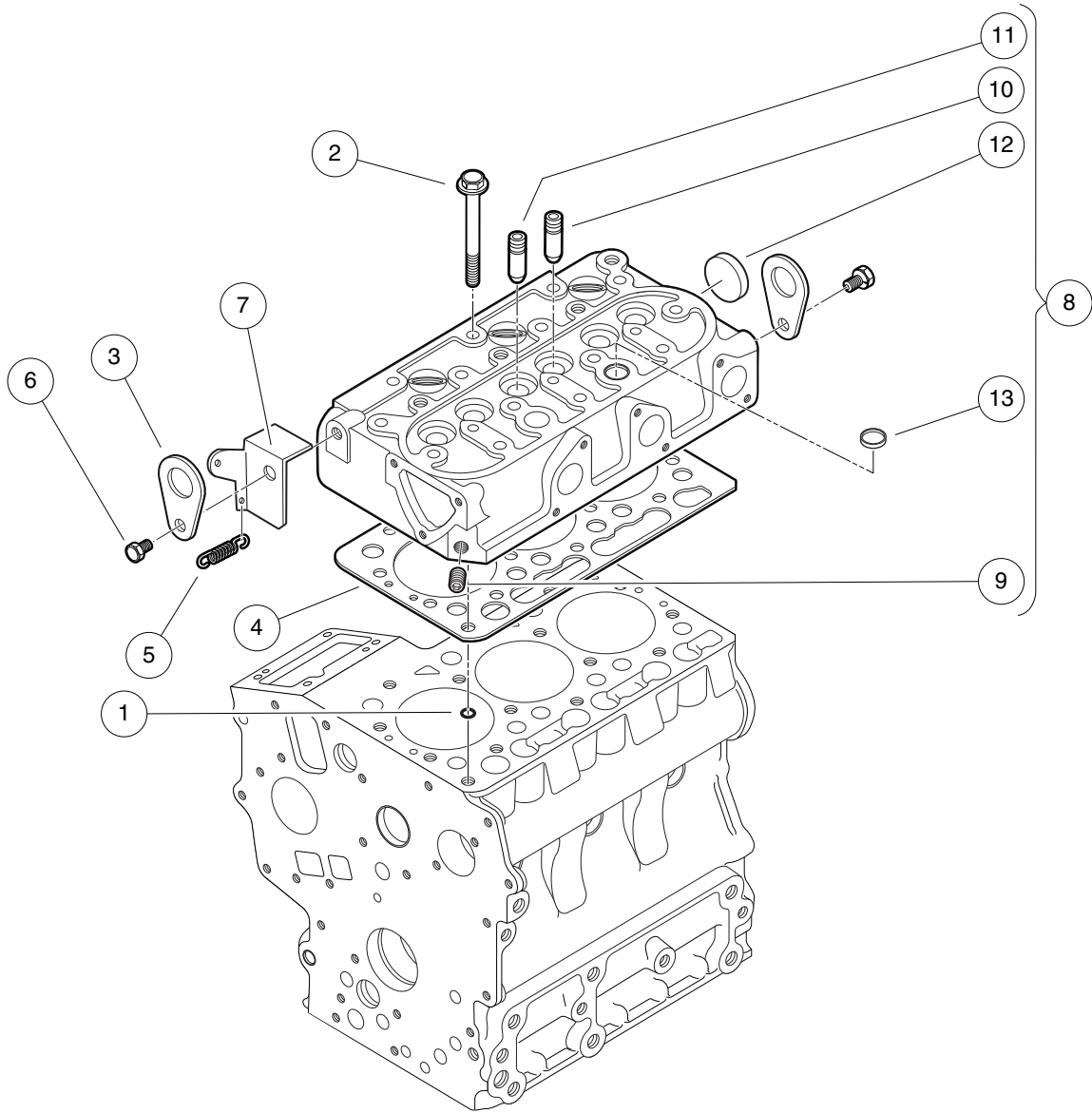
000040-001

OIL PAN (D722 – E3B)

ITEM	PART NO.	DESCRIPTION	QTY
		1 2 3 4	
1	102605101	Bolt, M6 X 1 X 14	22
2	102606901	Bolt, M8 X 1.25 X 15	1
3	102607001	Oil Pan	1
4	102607201	Plug, Drain, M12 X 14	1
5	102607301	Gasket, 20 X 13	1
6	102607401	Filter, Oil, Pick Up	1
7	102654601	O Ring, 20 X 17	1

11

D



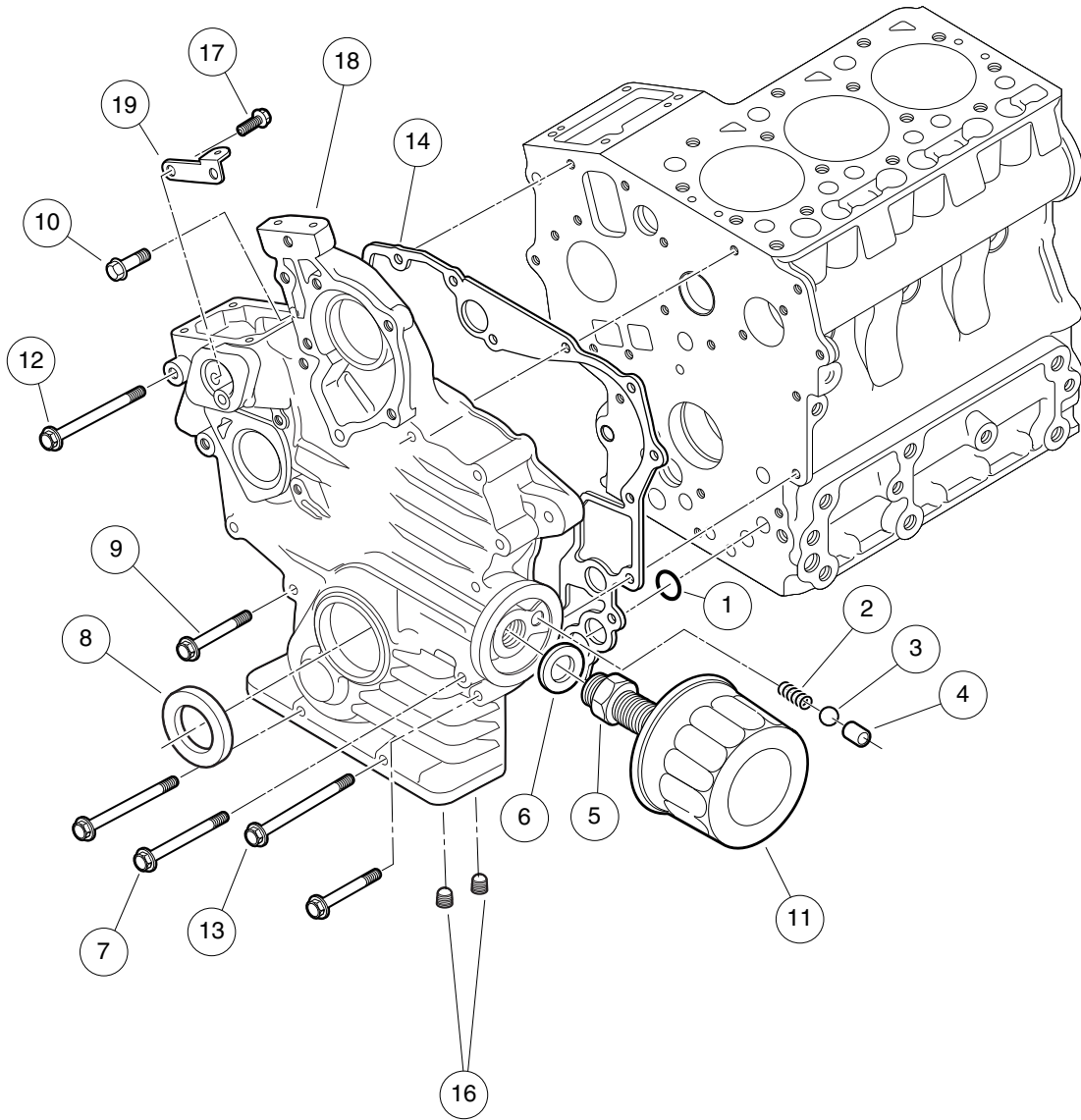
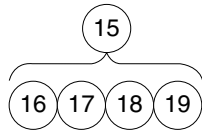
000041-002

CYLINDER HEAD (D722 – E3B)

ITEM	PART NO.	DESCRIPTION	QTY
		1 2 3 4	
1	102600301	O Ring, 8 X 7	1
2	102652801	Bolt, Cylinder Head	14
3	102653901	Hook, Engine	2
4	102654101	Gasket, Cylinder Head	1
5	102701001	Spring, Start	1
6	102726701	Bolt, Engine Hook	2
7	102727101	Stay, Cylinder Head	1
8	102798001	Head, Cylinder, Complete (includes items 9 through 13)	1
9	102600801	Plug, 3/32"	1
10	102653401	Guide, Exhaust Valve	3
11	102653501	Guide, Inlet Valve	3
12	102726901	Cap, Sealing, Head	1
13	102727001	Cap, Sealing, Head, Top	2

11

D



000042-003

GEAR CASE (D722 – E3B)

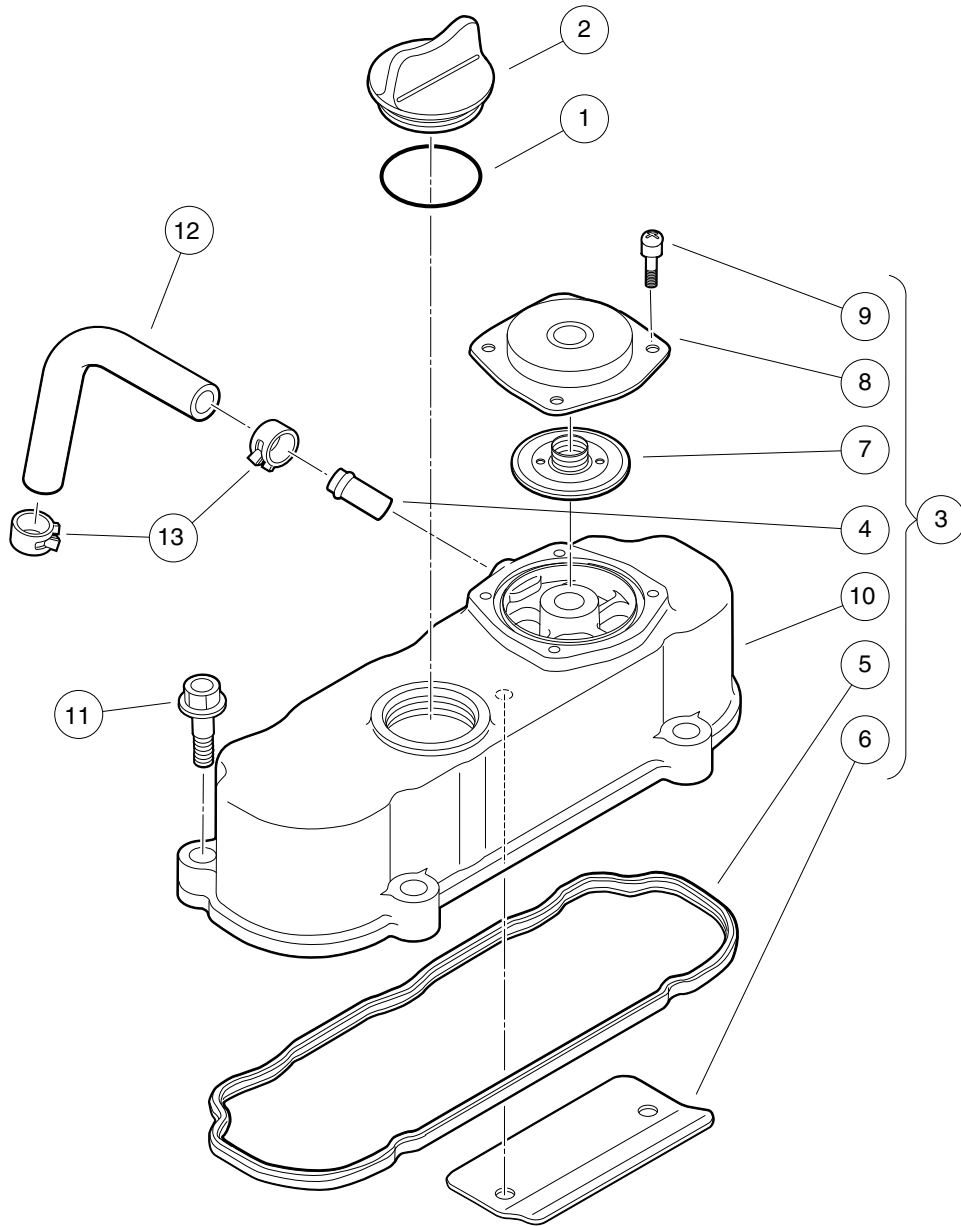
ITEM	PART NO.	DESCRIPTION	QTY
		1 2 3 4	
1	102601801	O Ring, 18 X 13	3
2	102601901	Spring, Valve	1
3	102602001	Ball, Valve	1
4	102602101	Seat, Valve	1
5	102602301	Joint, Pipe	1
6	102602401	Washer, Plain, Special	1
7	102602601	Bolt, M6 X 1 X 60	2
8	102602701	Seal, Oil	1
9	102602801	Bolt, D722, Front Case	9
10	102654301	Bolt, D722 Intake Manifold Lower	1
11	102703301	Filter, Engine Oil, D722	1
12	102727401	Bolt, Gearcase, Top	2
13	102727501	Bolt, Gearcase, Lower	1
14	102729301	Gasket, Gearcase, D722	1
15	102798101	Case, Gear (includes items 16 through 19)	1
16	102601001	Plug, 1/4"	2
17	102727601	Screw, Breather	2
18	N/A	Case, Gear	1
19	102798201	Stay, Spring	1

11

D

11

D



000181-001

HEAD COVER (D722 – E3B)

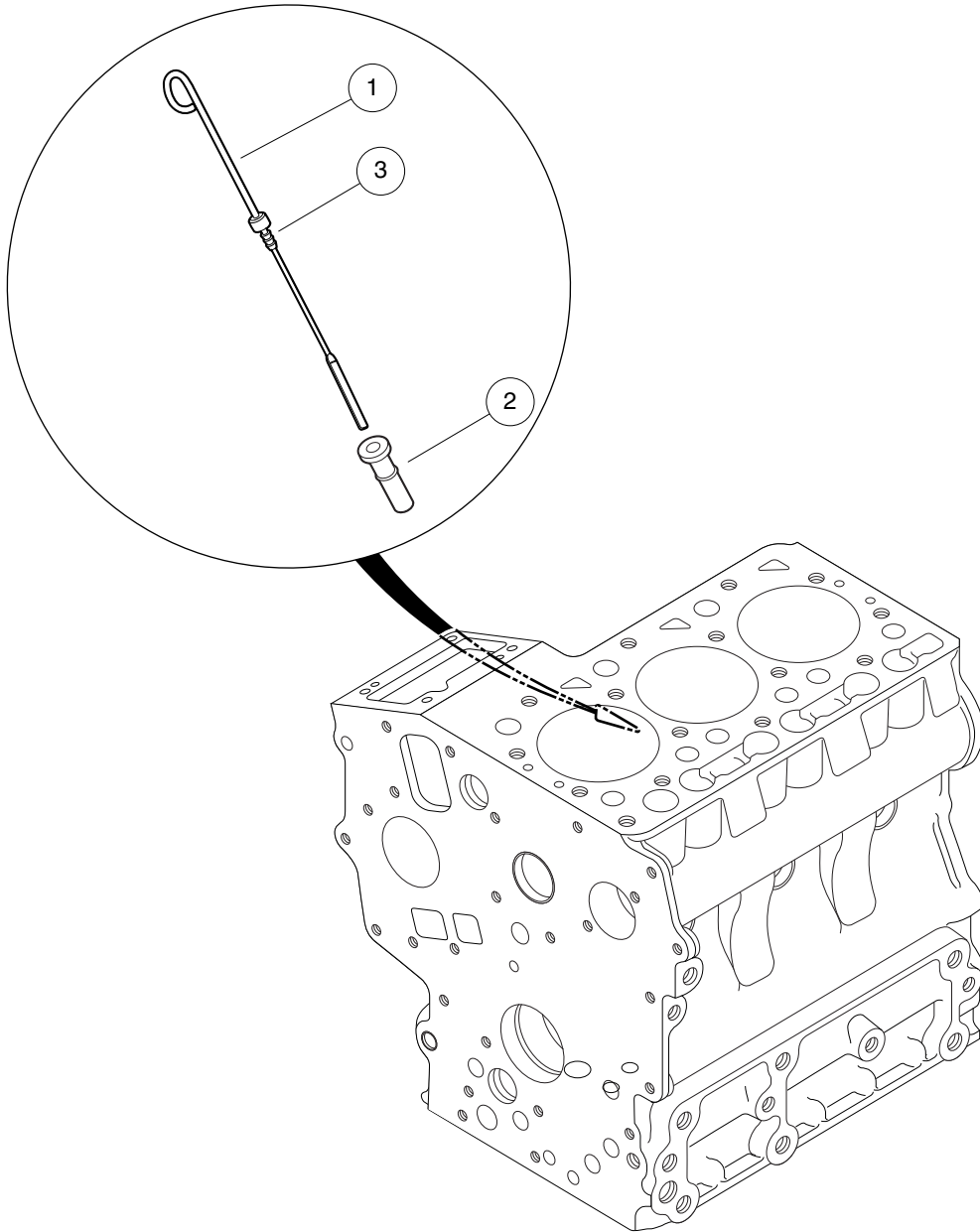
ITEM	PART NO.	DESCRIPTION	QTY
		1 2 3 4	
1	102644001	O Ring, 30 X 36	1
2	102644101	Plug, Oil Filler	1
3	102798401	Assembly, Cylinder Head Cover (includes items 4 through 10)	1
4	102633301	Pipe, Water Return, D722	1
5	102798501	Gasket, Cylinder Head Cover	1
6	102798601	Shield, Breather	1
7	102799001	Valve, Breather	1
8	102799101	Cover, Breather	1
9	102799201	Screw, Breather	4
10	N/A	Cover, Cylinder Head	1
11	102798701	Bolt, Cylinder Head Cover	4
12	102798801	Tube, Breather	1
13	102798901	Clamp, Breather Tube	2

11

D

11

D



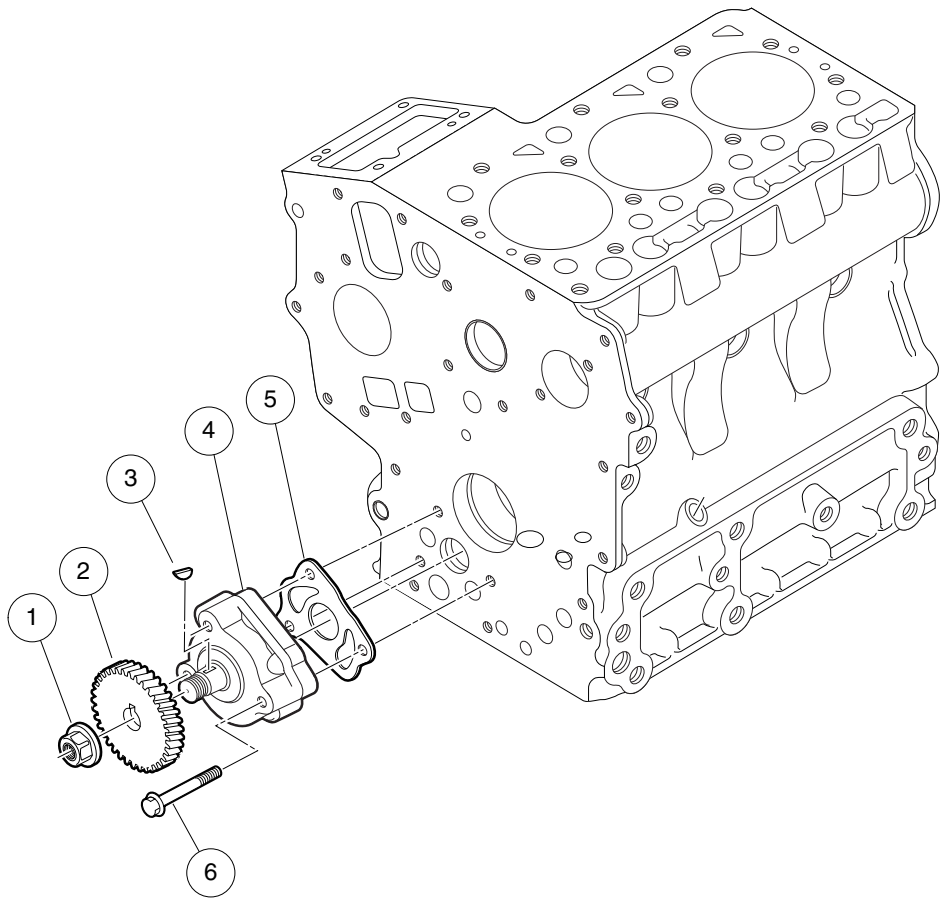
000044-003

DIPSTICK AND GUIDE (D722 – E3B)

ITEM	PART NO.	DESCRIPTION	QTY
		1 2 3 4	
1	102606701	Dipstick, Oil	1
2	102727701	Guide, Oil Dipstick	1
3	103941901	Plug, Dipstick, Kubota	1

11

D



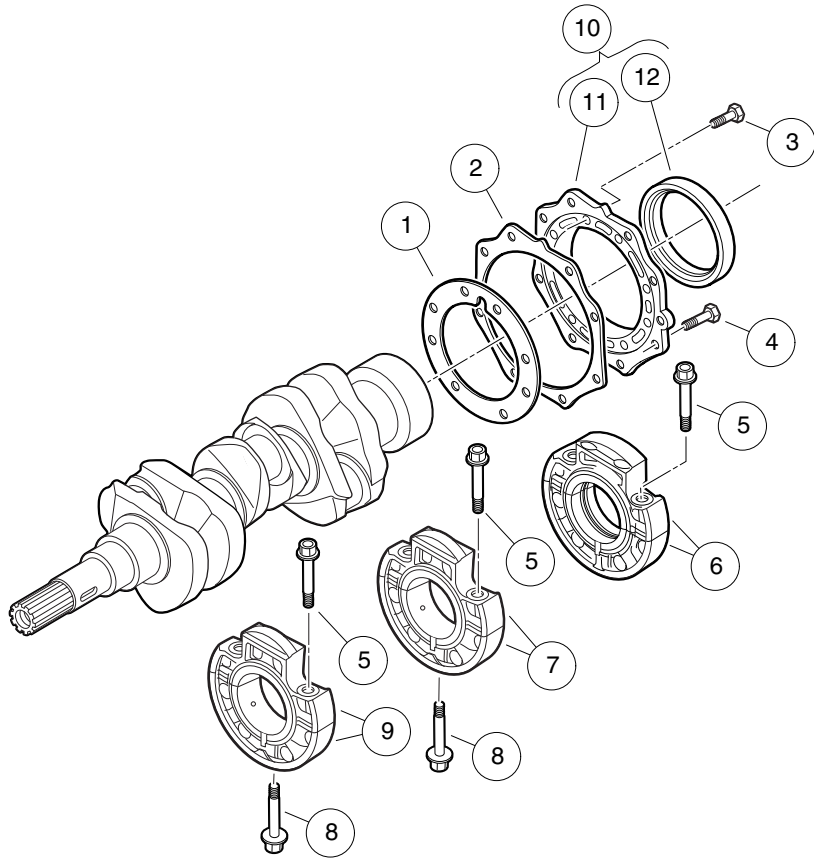
000045-001

OIL PUMP (D722 – E3B)

ITEM	PART NO.	DESCRIPTION	QTY
		1 2 3 4	
1	102606201	Nut, Flange, D722 Oil Pump	1
2	102606301	Gear, Oil Pump Drive	1
3	102606401	Key, Feather, 8x4	1
4	102606501	Assy, Pump, Oil	1
5	102606601	Gasket, Oil Pump	1
6	102727901	Bolt, Oil Pump	3

11

D



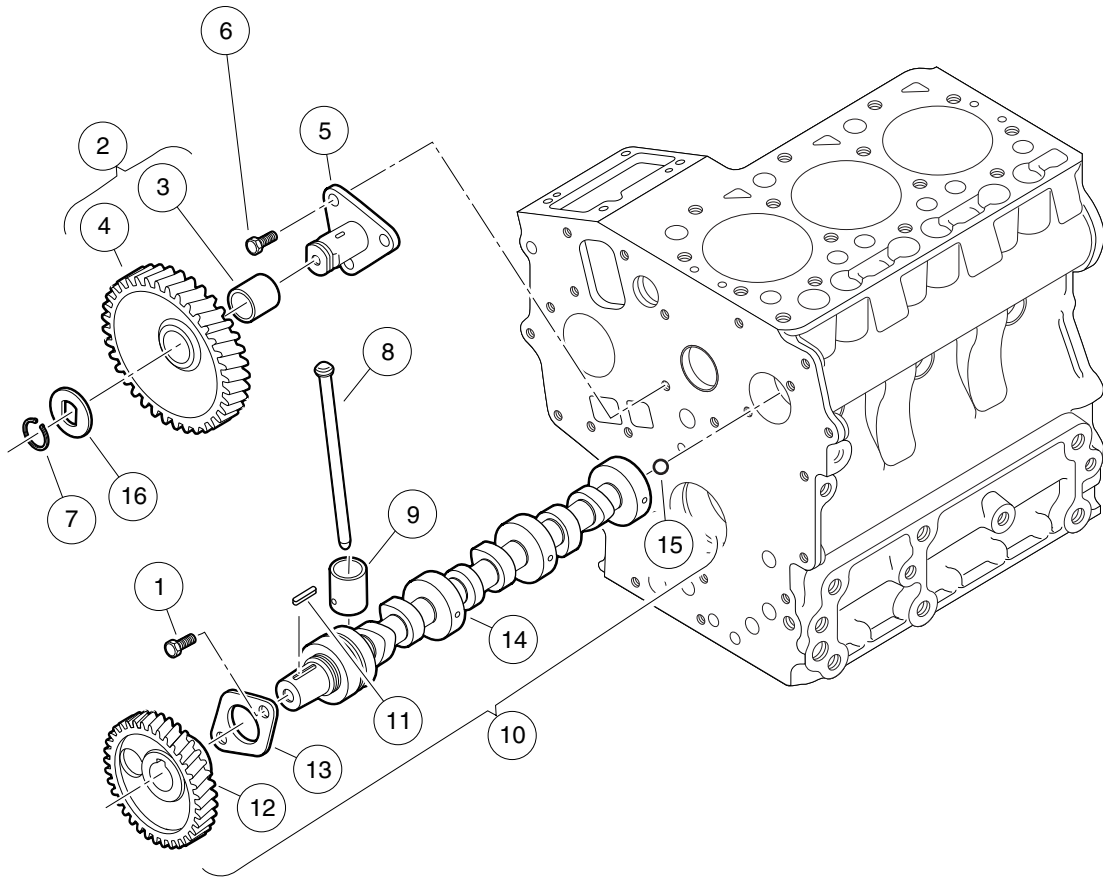
000046-001

MAIN BEARING CASE (D722 – E3B)

ITEM	PART NO.	DESCRIPTION	QTY
		1 2 3 4	
1	102608201	Gasket, Bearing Case	1
2	102608301	Gasket, Cover	1
3	102608601	Bolt, M6 X 1 X 20	8
4	102608701	Bolt, M6 X 1 X 22	8
5	102608901	Bolt, Bearing Case, Top	6
6	102609101	Assy Case, Main Brg, First	1
7	102609301	Assy, Case, Main Bearing, Second	1
8	102609401	Bolt, Bearing Case, Bottom	2
9	102609601	Assy Case, Main Brg, Third	1
10	102728001	Assy, Cover, Bearing Case (includes items 11 and 12)	1
11	102608401	Cover, Bearing Case	1
12	102608501	Seal, Oil	1

11

D



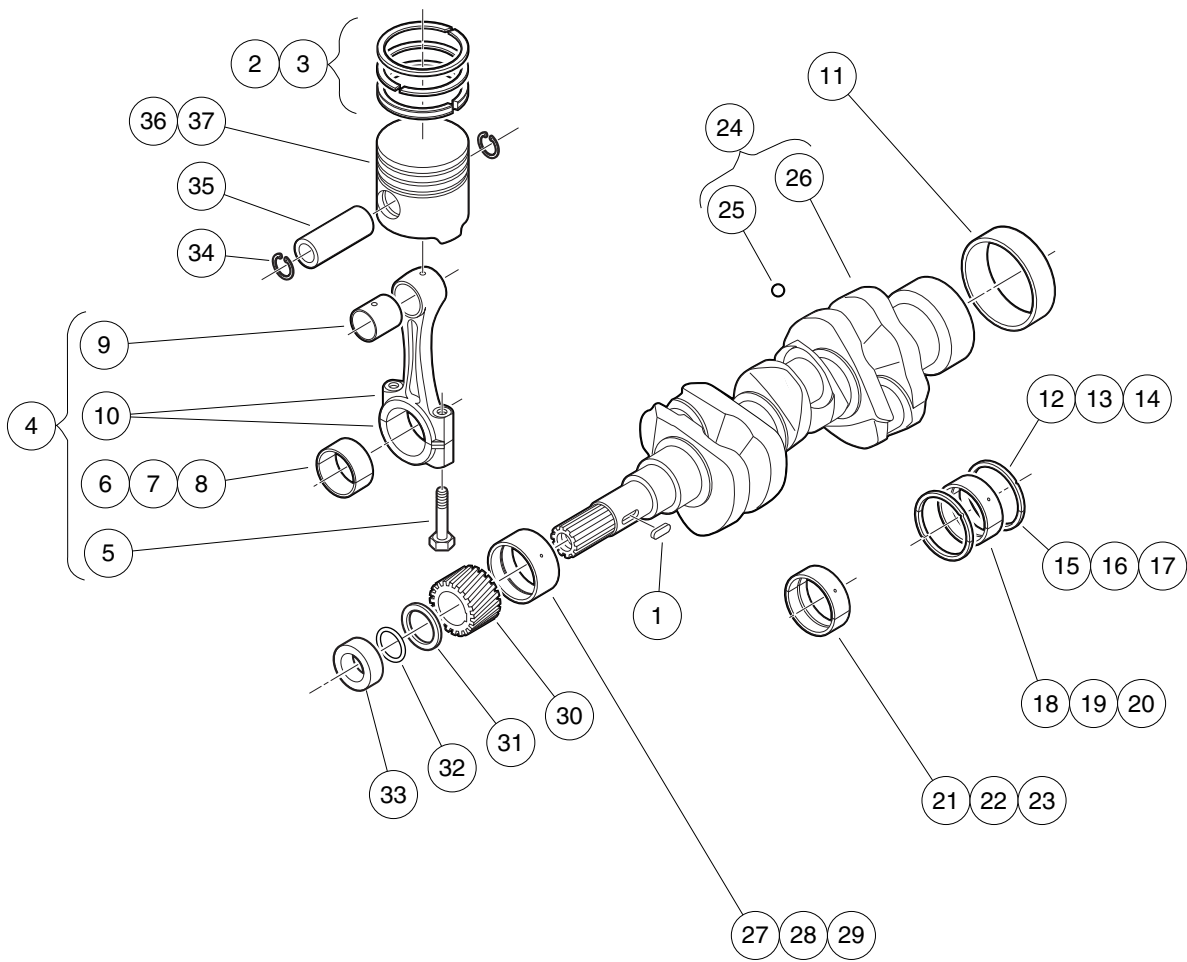
000047-002

CAMSHAFT AND IDLE GEAR (D722 – E3B)

ITEM	PART NO.	DESCRIPTION	QTY
		1 2 3 4	
1	102604201	Bolt, D722, Cam End	2
2	102604901	Gear, Idle (includes items 3 and 4)	1
3	102603201	Bushing, D722 Idle Gear	1
4	N/A	Gear, Idle	1
5	102605001	Shaft, Idle Gear	1
6	102605101	Bolt, M6 X 1 X 14	3
7	102605301	Ring, Snap	1
8	102605401	Push Rod	6
9	102605501	Tappet	6
10	102605801	Assy Camshaft, Long (includes items 11 through 15)	1
11	102605601	Key, Feather, Long Camshaft	1
12	102605901	Gear, Cam	1
13	102606001	Stopper, Camshaft	1
14	N/A	Camshaft	1
15	102799401	Ball, Check	1
16	102654401	Collar, Idle Gear	1

11

D



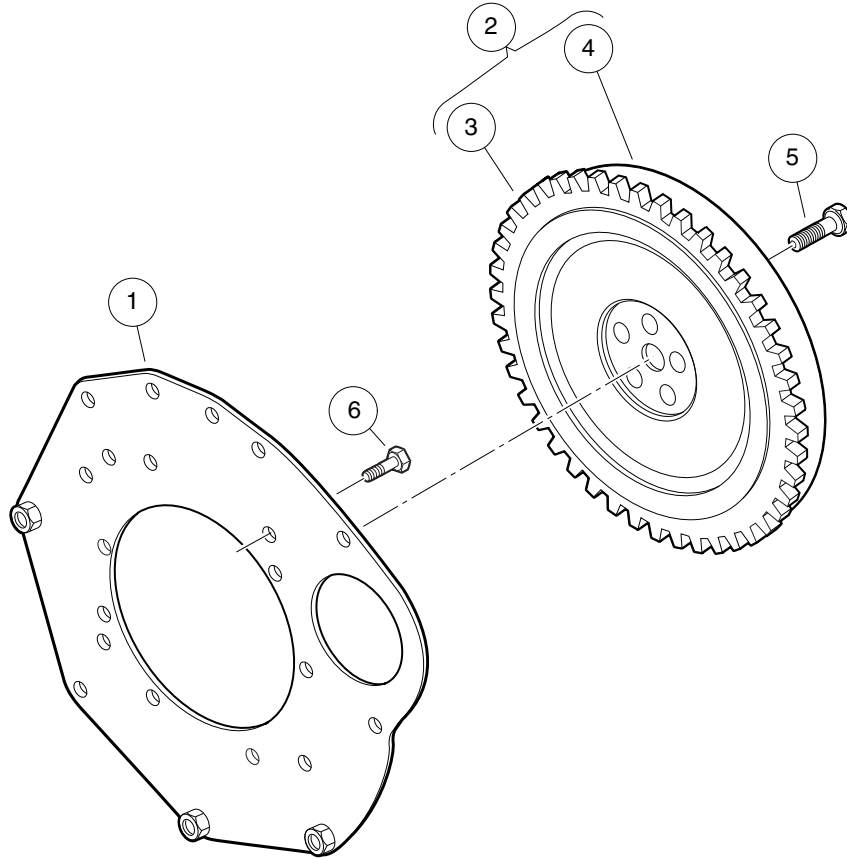
000048-002

PISTON AND CRANKSHAFT (D722 – E3B)

ITEM	PART NO.	DESCRIPTION	QTY
		1 2 3 4	
1	102604401	Key, Feather, Short Camshaft	1
2	102607601	Assy Piston Ring, D722 Std	3
3	102607602	Assy Piston Ring, D722 +.025	3
4	102607801	Assy, Connecting Rod (includes items 5 through 10)	3
5	102607901	Bolt, Connecting Rod	6
6	102630701	Metal, Crank, Rod, D722, Std	3
7	102630702	Metal, Crank, Rod, D722, .020	3
8	102630703	Metal, Crank, Rod, D722, .040	3
9	102732201	Bushing, Piston Pin, D722	3
10	N/A	Rod, Connecting	1
11	102608101	Sleeve, Crankshaft	1
12	102608801	Metal,crank, O Side, Std	2
13	102608802	Metal,crank, O Side, +.020	2
14	102608803	Metal,crank, O Side, +.040	2
15	102608804	Metal,crank, I Side, Std	2
16	102608805	Metal,crank, I Side, +.020	2
17	102608806	Metal,crank, I Side, +.040	2
18	102609001	Metal, Crank, Main, Rear Std	1
19	102609002	Metal, Crank, Main, Rear -.020	1
20	102609003	Metal, Crank, Main, Rear -.040	1
21	102609801	Metal, Crank, Main, Mid Std	4
22	102609802	Metal, Crank, Main, Mid +.020	2
23	102609803	Metal, Crank, Main, Mid +.040	2
24	102610001	Crankshaft (includes items 25 and 26)	1
25	102608001	Ball, Crankshaft	3
26	N/A	Crankshaft	1
27	102630001	Metal, Crank, D722, Frnt, Std	1
28	102630002	Metal, Crank, 722, Frnt, -.020	1
29	102630003	Metal, Crank, 722, Frnt, -.040	1
30	102630101	Gear, Crank	1
31	102630201	Slinger, Oil	1
32	102630301	O Ring, 23 X 26	1
33	102630401	Collar, Crankshaft	1
34	102630901	Circlip, Piston Pin	6
35	102631001	Pin, Piston	3
36	102728101	Piston, D722, Std	3
37	102728102	Piston, D722, +0.25	3

11

D



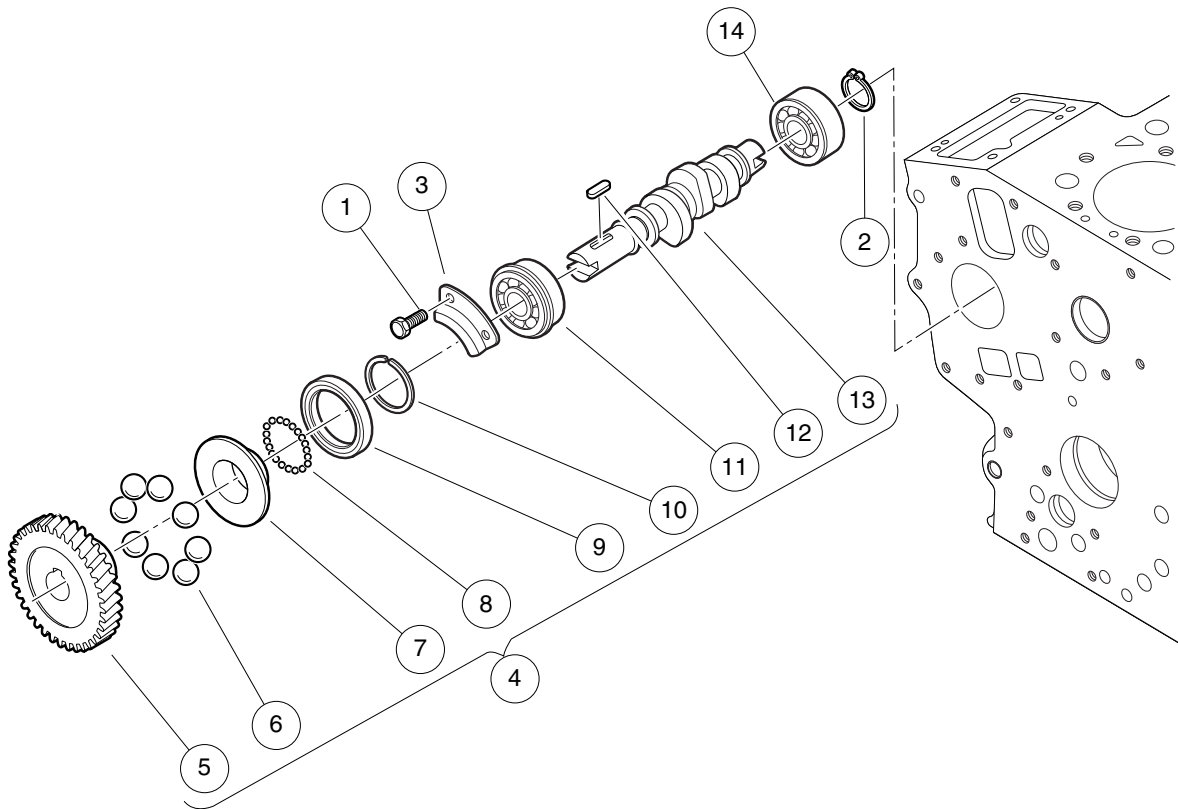
000049-001

FLYWHEEL (D722 – E3B)

ITEM	PART NO.	DESCRIPTION	QTY
		1 2 3 4	
1	102647501	Plate, Rear End	1
2	102647801	Flywheel (includes items 3 and 4)	1
3	102647901	Gear, Ring, D722	1
4	N/A	Flywheel	1
5	102648001	Bolt, Flange Head, M10 X 1.5 X 25	5
6	102728301	Bolt, End Plate	10

11

D



000050-001

FUEL CAMSHAFT (D722 – E3B)

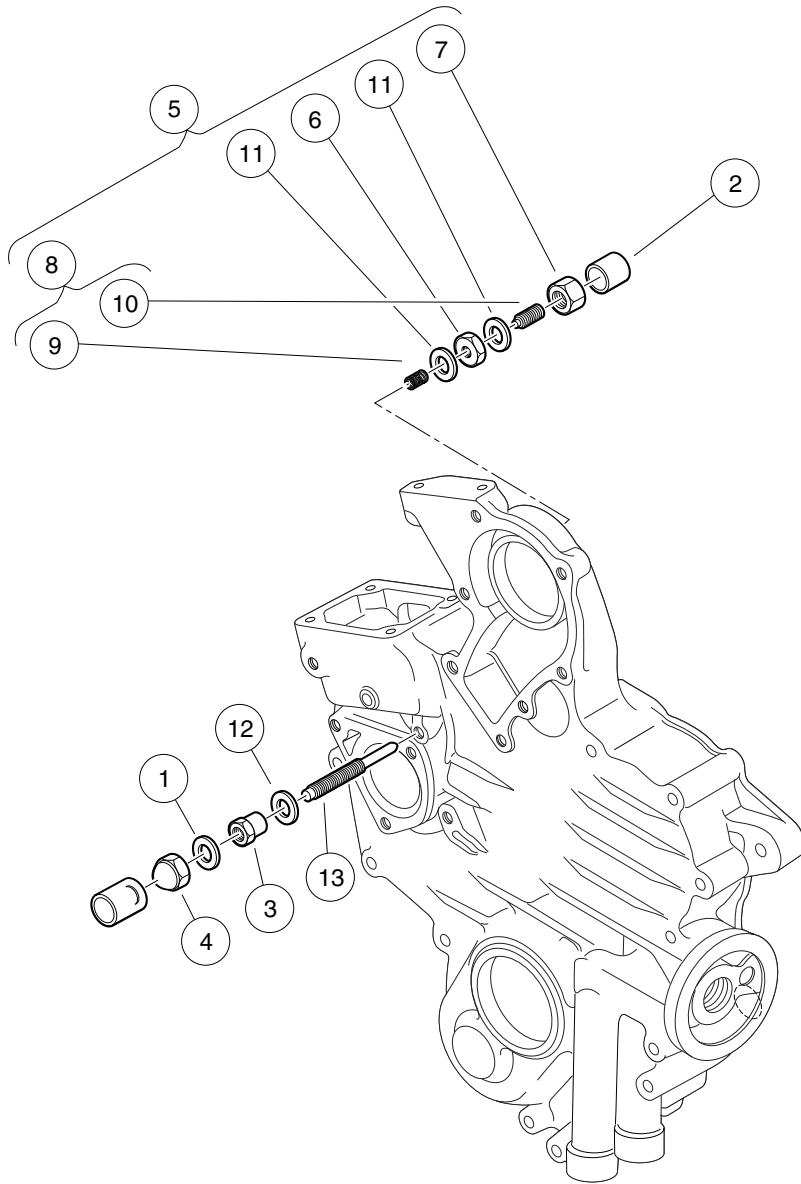
ITEM	PART NO.	DESCRIPTION	QTY
		1 2 3 4	
1	102604201	Bolt, D722, Cam End	2
2	102604701	Circlip, External	1
3	102604801	Stopper, Fuel, Camshaft	1
4	102728401	Assy, Fuel Camshaft (includes items 5 through 13)	1
5	102603601	Gear, Injection Pump	1
6	102603701	Ball, Injection Pump	8
7	102603801	Sleeve, Governor	1
8	102603901	Ball, Governor	32
9	102604001	Case, Governor Ball	1
10	102604101	Circlip	1
11	102604301	Bearing, Ball	1
12	102604401	Key, Feather, Short Camshaft	1
13	102604501	Camshaft, Fuel, Short	1
14	102728501	Bearing, Ball	1

11

D

11

D



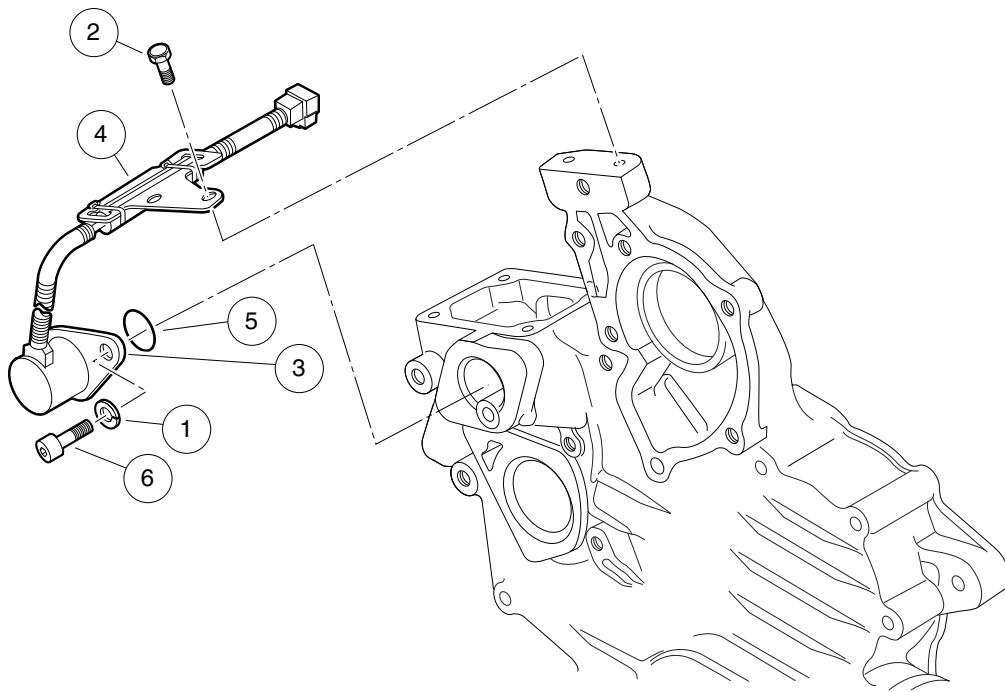
000051-002

IDLE APPARATUS (D722 – E3B)

ITEM	PART NO.	DESCRIPTION	QTY
		1 2 3 4	
1	102635301	Gasket, 6 X 10	1
2	102635701	Cap, Bolt Assy	1
3	102637001	Nut, Lock, Special	1
4	102637101	Nut, Special	1
5	102728601	Assy, Idle Apparatus (includes items 6 through 11)	1
6	102635501	Nut, M8, D722 Idle App, Specl	1
7	102635801	Nut, M8, D722 Idle App	1
8	102635901	Assy, Bolt, Adjusting (includes items 9 and 10)	1
9	102728701	Spring, Idle Apparatus	1
10	N/A	Stud, Idle Adjustment	1
11	102728801	Gasket, Idle Apparatus, Rear	2
12	102728901	Gasket, Idle Apparatus, Front	1
13	102799501	Bolt, Idle Adjusting	1

11

D



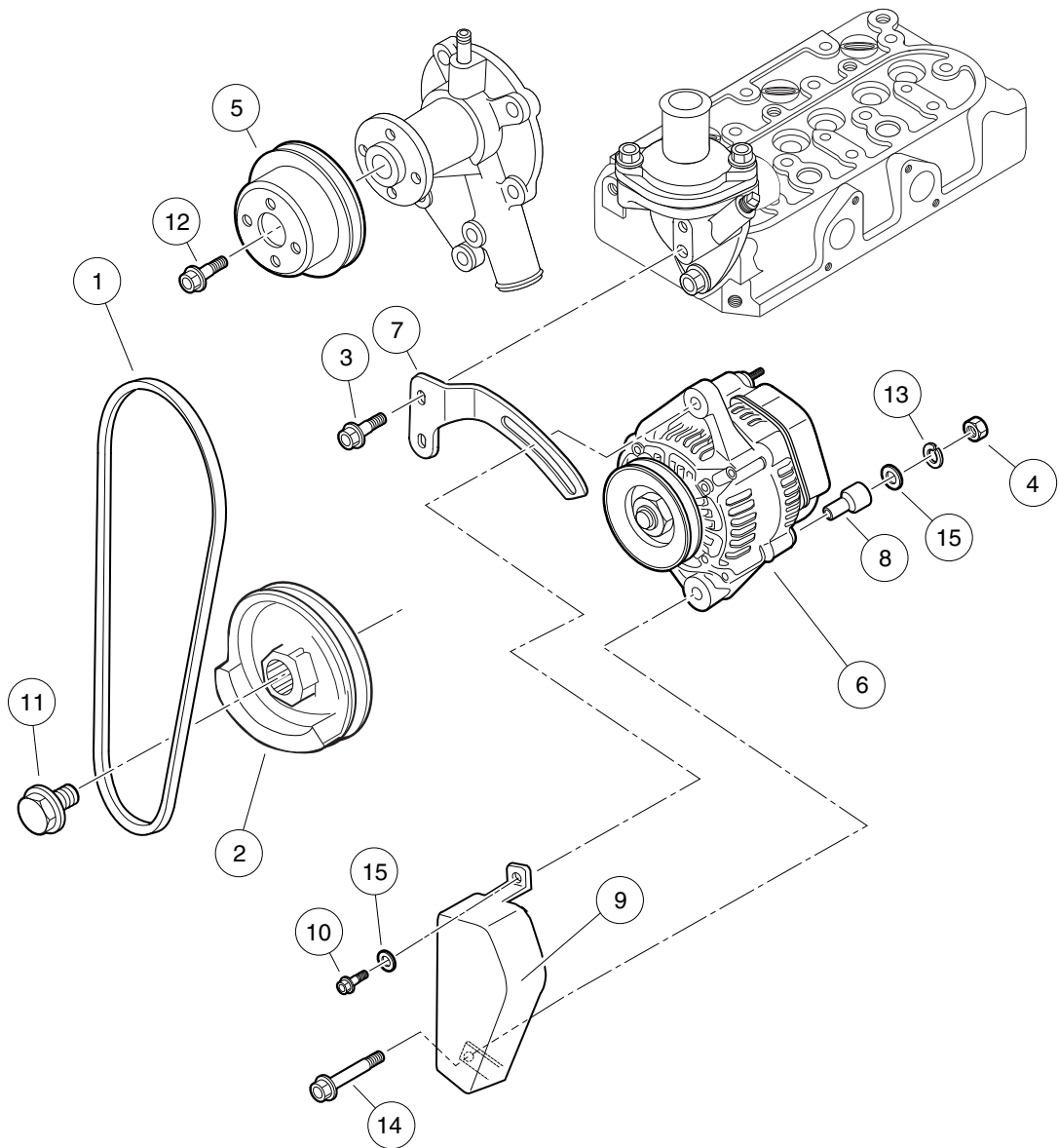
000182-001

STOP SOLENOID (D722 – E3B)

ITEM	PART NO.	DESCRIPTION	QTY
		1 2 3 4	
1	102640601	Washer, Spring, M6, D722	2
2	102729101	Bolt, Solenoid, Stop, D722	2
3	102799601	Solenoid, Stop	1
4	102799701	Stay, Stop Solenoid	1
5	102799801	O-Ring, Stop Solenoid	1
6	102799901	Bolt, Stop Solenoid	2

11

D



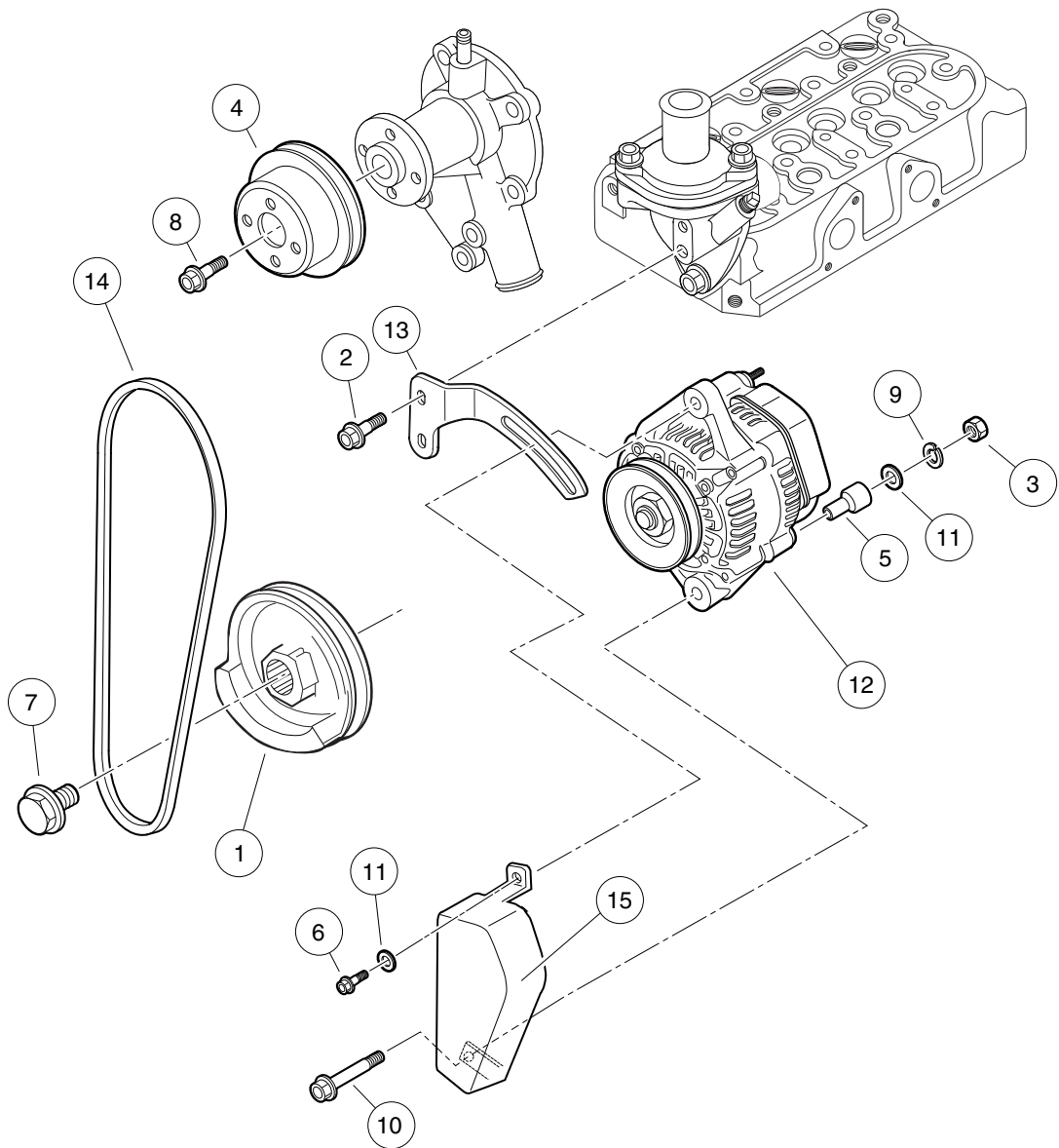
000057-002

40-AMP ALTERNATOR, BELT AND PULLEYS (D722 – E3B)

ITEM	PART NO.	DESCRIPTION	QTY
		1 2 3 4	
1	102601101	V-Belt	1
2	102630601	Pulley, Fan Drive	1
3	102631601	Bolt, M6 X 1 X 20	2
4	102647701	Nut, M8, Plate	1
5	102701201	Pulley, Water Pump	1
6	102730001	Alternator, 40-Amp	1
7	102730101	Stay, Alternator Assy, D722	1
8	102730201	Collar, Alternator Assy, D722	1
9	102730301	Cover, Alternator Assy, D722	1
10	102730401	Bolt, Alt, D722, Adjuster	1
11	102730601	Bolt, Alt, D722, Drive Pulley	1
12	102731301	Bolt, D722, Drive Pulley	4
13	102732501	Washer, Spring, D722, Starter	1
14	102800701	Bolt, Alternator, Lower	1
15	102801001	Washer, Alternator, Upper	2

11

D



000057-003

60-AMP ALTERNATOR, BELT AND PULLEYS (D722 – E3B)

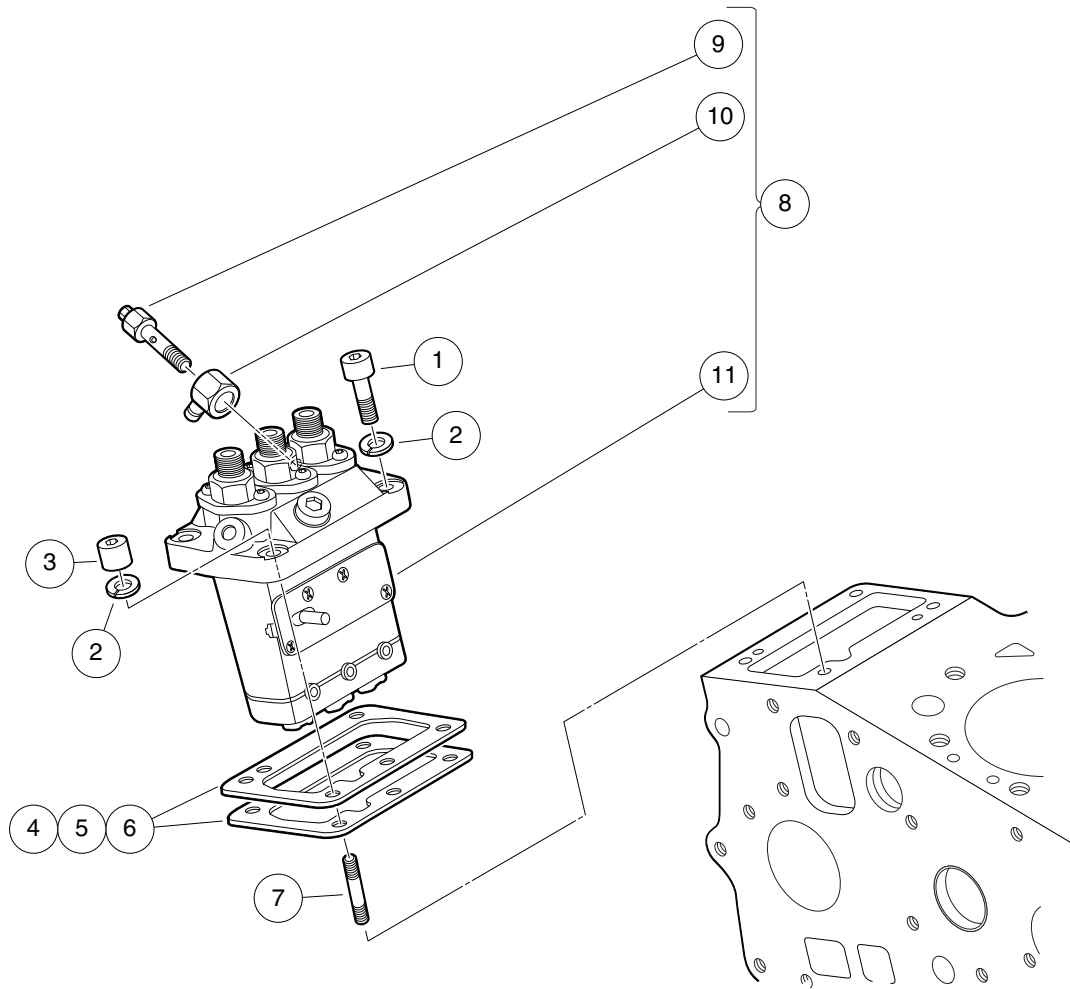
ITEM	PART NO.	DESCRIPTION	QTY
		1 2 3 4	
1	102630601	Pulley, Fan Drive	1
2	102631601	Bolt, M6 X 1 X 20	2
3	102647701	Nut, M8, Plate	1
4	102701201	Pulley, Water Pump	1
5	102730201	Collar, Alternator Assy, D722	1
6	102730401	Bolt, Alt, D722, Adjuster	1
7	102730601	Bolt, Alt, D722, Drive Pulley	1
8	102731301	Bolt, D722, Drive Pulley	4
9	102732501	Washer, Spring, D722, Starter	1
10	102800701	Bolt, Alternator, Lower	1
11	102801001	Washer, Alternator, Upper	2
12	102934701	Alternator, 60 Amp	1
13	102934801	Bracket, Alternator, D722, 60 Amp	1
14	102934901	Belt, Accessory Drive, D722, 60 Amp	1
15	103239901	Guard, Accessory Belt	1

11

D

11

D



000053-002

FUEL INJECTION PUMP (D722 – E3B)

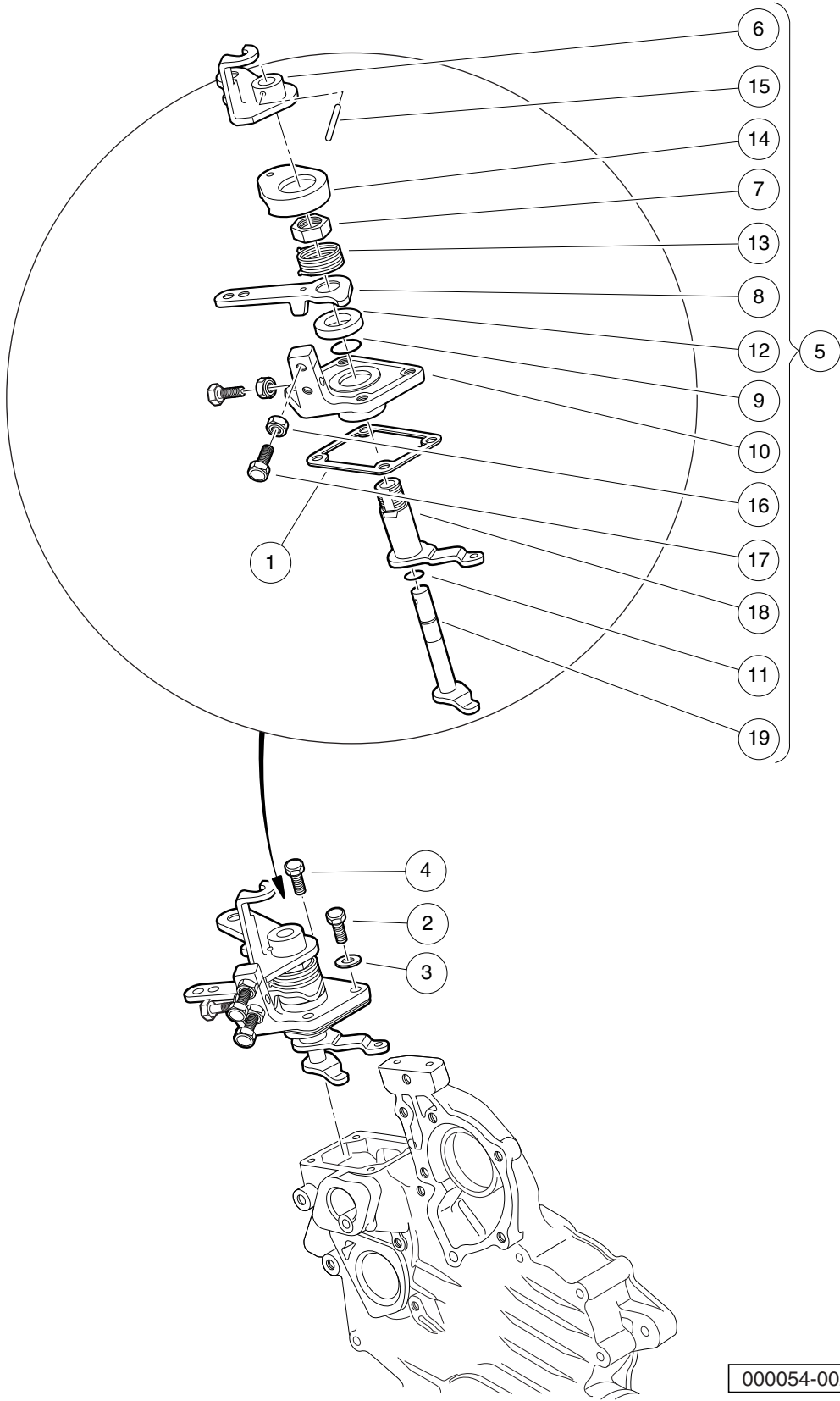
ITEM	PART NO.	DESCRIPTION	QTY
		1 2 3 4	
1	102640501	Bolt, Hex-Head, M5 X 0.75 X	2
2	102640601	Washer, Spring, M6, D722	4
3	102640701	Nut, Special	2
4	102640901	Shim, Injection Pump, 0.20 mm	1
5	102641001	Shim, Injection Pump, 0.25 mm	1
6	102641101	Shim, Injection Pump, 0.30 mm	1
7	102641201	Stud, M5 X 25	2
8	102800101	Assembly, Fuel Injection Pump (includes items 9 through 11)	1
9	102637701	Screw, Hollow, D722, Inj Pump	1
10	102640401	Joint, Eye	1
11	N/A	Pump, Injection	1

11

D

11

D



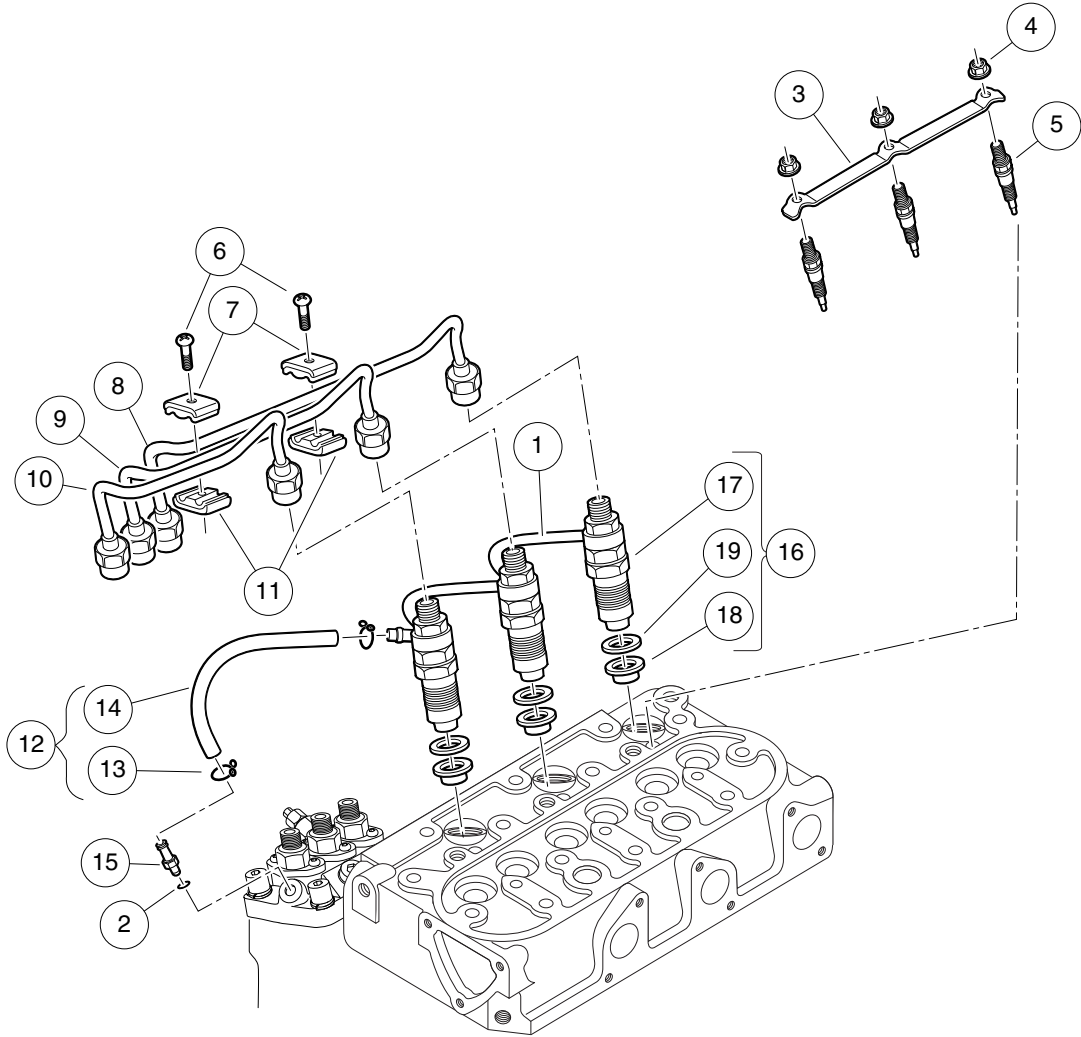
000054-002

SPEED CONTROL (D722 – E3B)

ITEM	PART NO.	DESCRIPTION	QTY
		1 2 3 4	
1	102634501	Gasket, Control Plate	1
2	102635201	Bolt, M6 X 1 X 30	2
3	102635301	Gasket, 6 X 10	2
4	102654301	Bolt, D722 Intake Manifold Lower	2
5	102800401	Assembly, Speed Plate (includes items 6 through 20)	1
6	102633701	Lever, Engine Stop	1
7	102633801	Nut, Speed Control	1
8	102633901	Lever, Speed Control	1
9	102634001	O Ring, 19 X 16	1
10	102634101	Plate, Speed Control	1
11	102634401	O Ring, 9 X 7	1
12	102634601	Collar, Lever	1
13	102634701	Spring, Return	1
14	102729401	Cap, Speed Cntrl Plate Rtrn	1
15	102729501	Pin, Spring, Speed Plate	1
16	102800501	Lever, Governor	1
17	102800601	Shaft, Governor Lever	1
18	105222301	Bolt, Speed Control, D722	1
19	105222401	Nut, Speed Control, D722	3
20	105222501	Bolt, Speed Control, D722	2

11

D



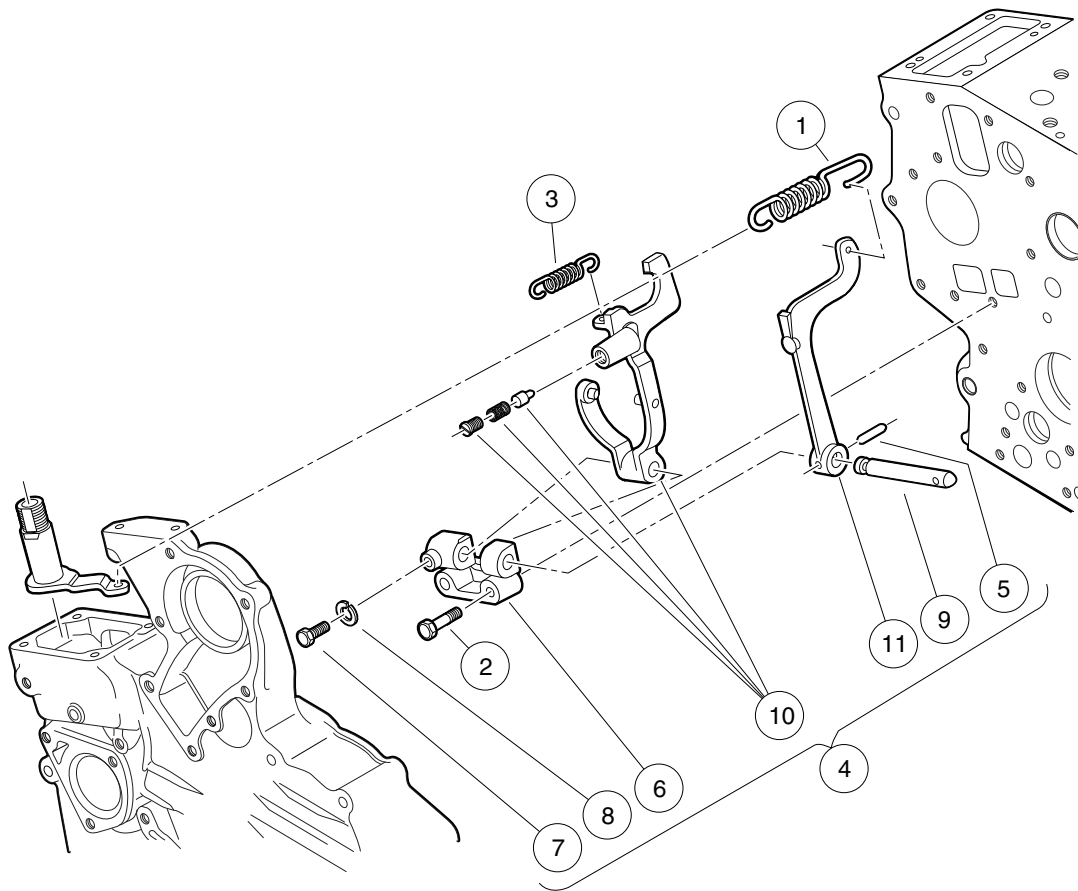
000055-001

NOZZLE HOLDERS AND GLOW PLUGS (D722 – E3B)

ITEM	PART NO.	DESCRIPTION	QTY
		1 2 3 4	
1	102605701	Assy Pipe, D722 Fuel Over Flow	1
2	102635301	Gasket, 6 X 10	1
3	102642401	Cord, Glow Plug	1
4	102642501	Nut, Flange,m4	3
5	102642601	Glow Plug	3
6	102642801	Screw, Washer	2
7	102642901	Clamp, Pipe, Top	2
8	102643001	Pipe, Injection, Left	1
9	102643101	Pipe, Injection, Right	1
10	102643201	Pipe, Injection, Middle	1
11	102643301	Clamp, Pipe, Bottom	2
12	102643401	Assy Pipe, Over Flow (includes items 13 and 14)	1
13	102729601	Clip, Pipe, Return	2
14	105222901	Pipe, Fuel Overflow, D722	1
15	102643701	Screw, Air Bleeder	1
16	102729701	Kit, Holder, Nozzle (includes items 17 through 19)	3
17	102641501	Assembly, Nozzle Holder	3
18	102642701	Seal, Heat	3
19	102643601	Gasket, Nozzle	3

11

D



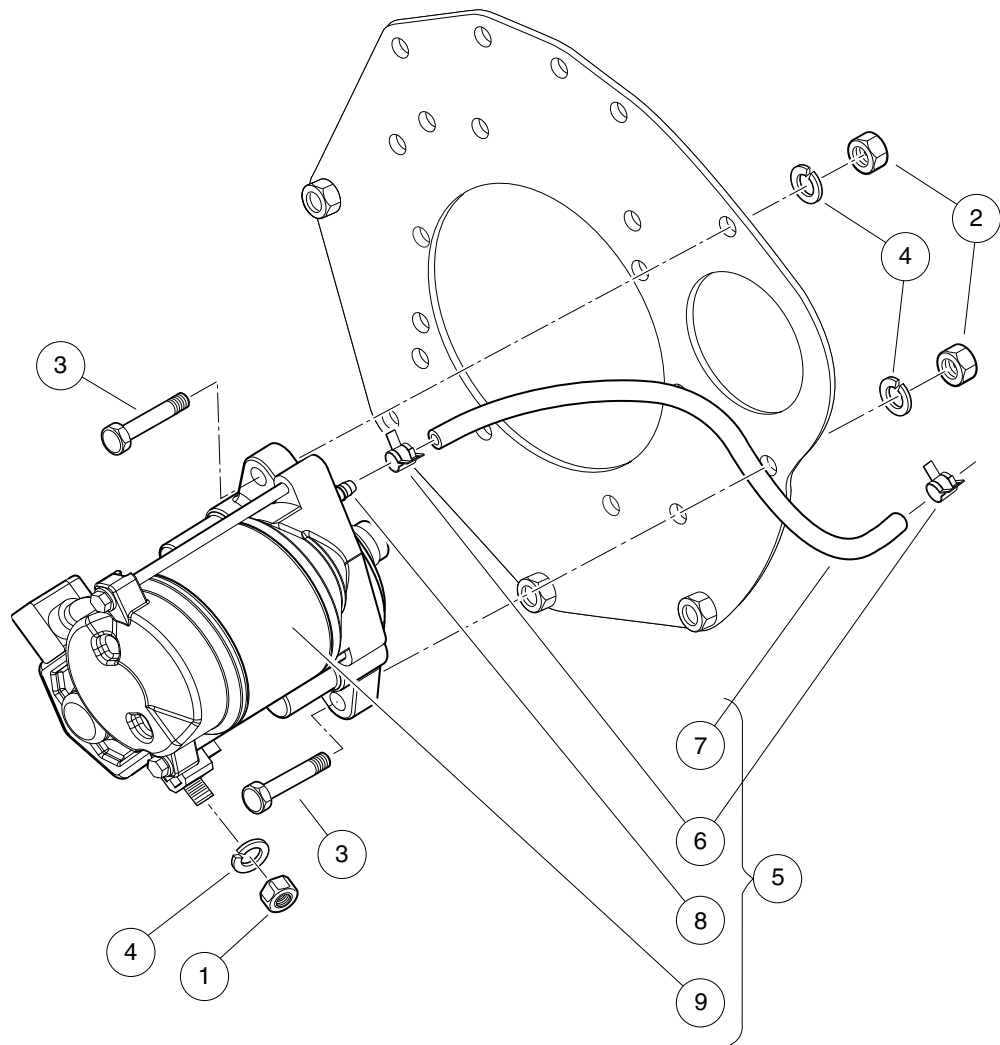
000056-003

GOVERNOR COMPONENTS (D722 – E3B)

ITEM	PART NO.	DESCRIPTION	QTY
		1 2 3 4	
1	102635101	Spring, Governor	1
2	102636301	Bolt, M5 X 0.75 X 25	2
3	102800201	Spring, Start	1
4	102800301	Assembly, Governor Fork (includes items 5 through 12)	1
5	102633601	Pin, Spring	1
6	102636201	Holder, Fork Lever	1
7	102636401	Bolt, M5 X 0.75 X 11	1
8	102636501	Washer, Spring, M5	1
9	102636601	Shaft, Fork Lever	1
10	N/A	Lever, Fork, Middle, D722 CB (includes item 11)	1
11	102701601	Spring, Lever	1
12	N/A	Lever, Fork, End, D722 CB	1

11

D



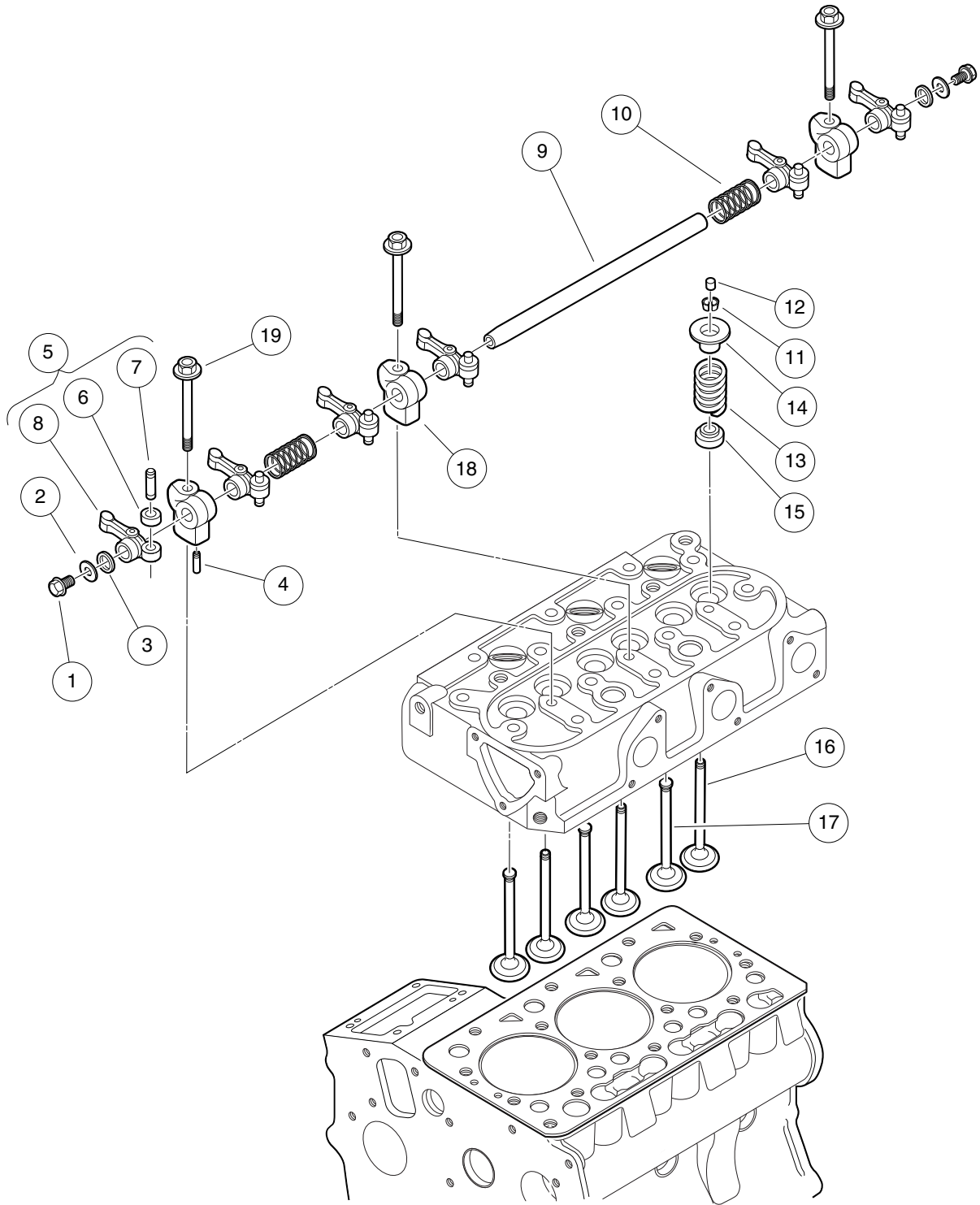
000058-002

STARTER – SEALED (D722 – E3B)

ITEM	PART NO.	DESCRIPTION	QTY
		1 2 3 4	
1	102645501	Nut, D722, Starter	2
2	102647701	Nut, M8, Plate	2
3	102648401	Bolt, M8 X 1.25 X 28	2
4	102732501	Washer, Spring, D722, Starter	3
5	103886501	Kit, Asm, Sealed Starter (includes items 6 through 9)	1
6	1013746	Clamp, 0.301 ID Hose	2
7	101587703	Hose, Fuel, Vent, 22" Long	1
8	101824401	Vent Barb	1
9	103855901	Asm, Sealed Starter	1

11

D



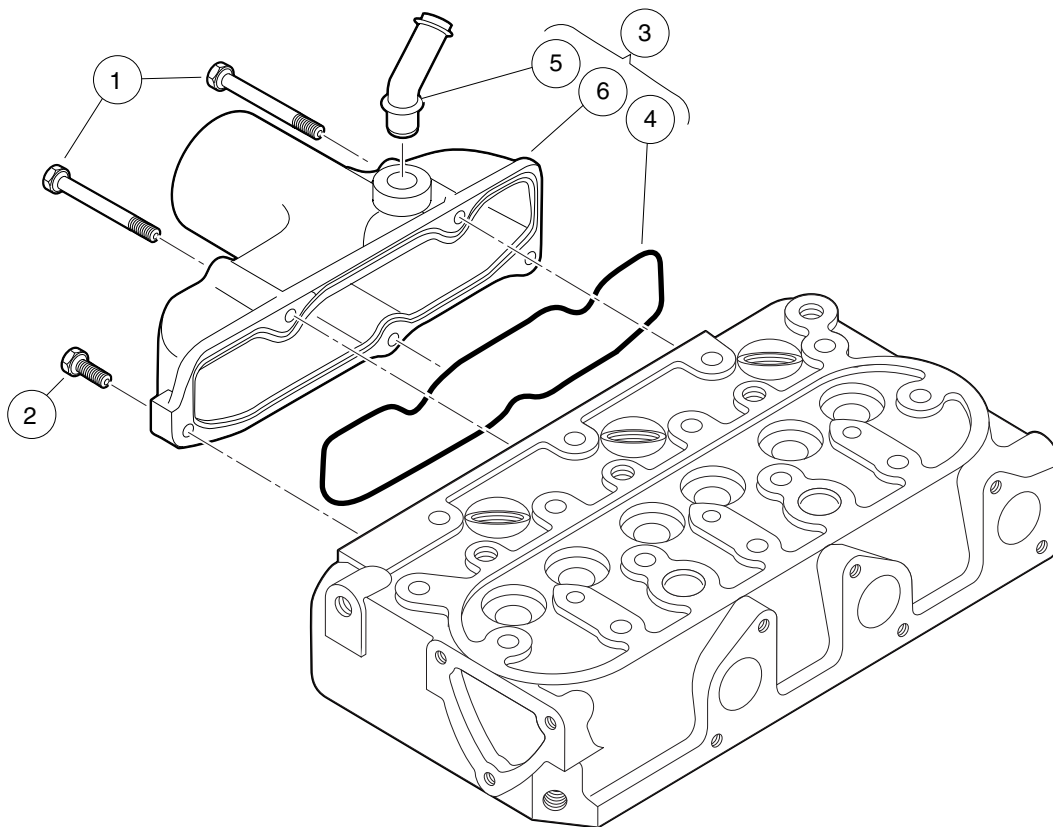
000062-002

VALVES AND ROCKER ARMS (D722 – E3B)

ITEM	PART NO.	DESCRIPTION	QTY
		1 2 3 4	
1	102646401	Bolt, M6 X 1 X 8	2
2	102651301	Washer, D722, Plain, Rocker	2
3	102651601	Washer, Rocker Arm	2
4	102651801	Pin, Spring, D722, Rocker	1
5	102652001	Assy, Rocker Arm (includes items 6 through 8)	6
6	102651501	Nut, M6	6
7	102651701	Screw-Adjusting	6
8	N/A	Arm, Rocker	1
9	102652601	Shaft, Rocker Arm	1
10	102652701	Spring, Rocker Arm	2
11	102652901	Collet, Valve Spring, Set	6
12	102653001	Cap, Valve, D722	6
13	102653101	Spring, Valve	6
14	102653201	Retainer, Spring	6
15	102653301	Seal, Valve Stem	6
16	102653601	Valve, Exhaust	3
17	102653701	Valve, Intake	3
18	102801101	Bracket, Rocker Arm, D722 Closed-Breather	3
19	102801201	Bolt, Rocker Arm	3

11

D



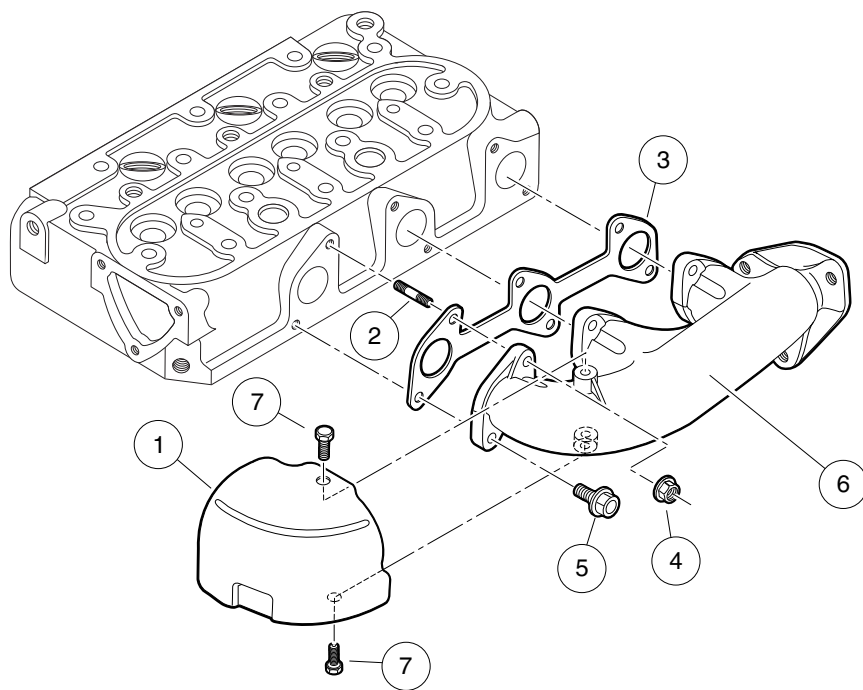
000063-002

INTAKE MANIFOLD (D722 – E3B)

ITEM	PART NO.	DESCRIPTION	QTY
		1 2 3 4	
1	102646101	Bolt, M6 X 1 X 45	3
2	102654301	Bolt, D722 Intake Manifold Lower	2
3	102801301	Assembly, Intake Manifold (includes items 4 through 6)	1
4	102801401	Pipe, Breather	1
5	102801501	Manifold, Intake	1
6	105226501	Gasket, Intake Manifold, D722	1

11

D



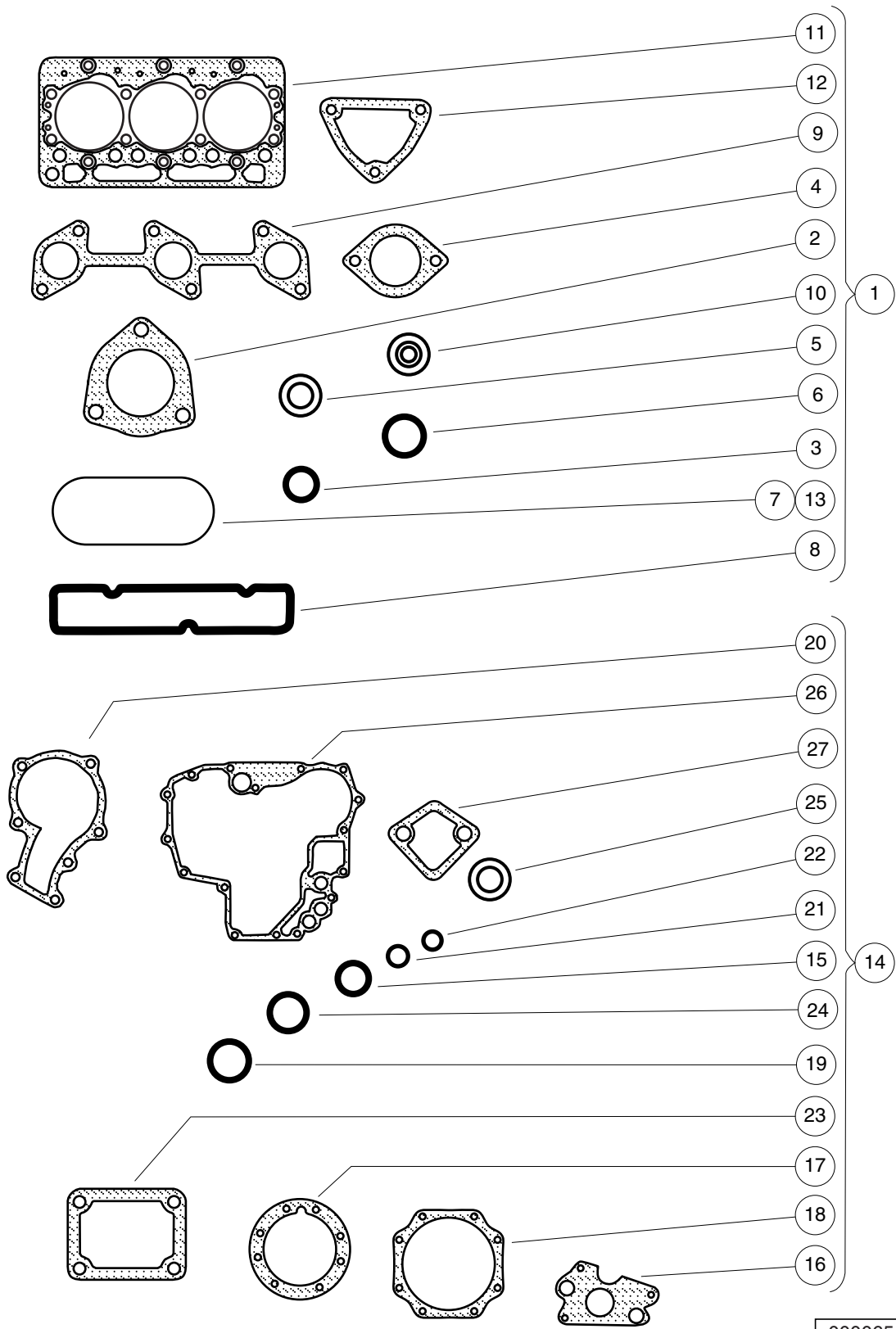
000064-001

EXHAUST MANIFOLD (D722 – E3B)

ITEM	PART NO.	DESCRIPTION	QTY
		1 2 3 4	
1	102646301	Cover, Heat Proof	1
2	102646501	Stud, M6 X 26	3
3	102646601	Gasket, Exhaust Manifold	1
4	102647101	Nut, Flange, M6, Ubs	3
5	102647201	Bolt, Flange Head, M6 X 1 X 16	3
6	102731501	Manifold, Exhaust, D722	1
7	102731601	Bolt, D722, Exhaust Manifold Cover	2

11

D



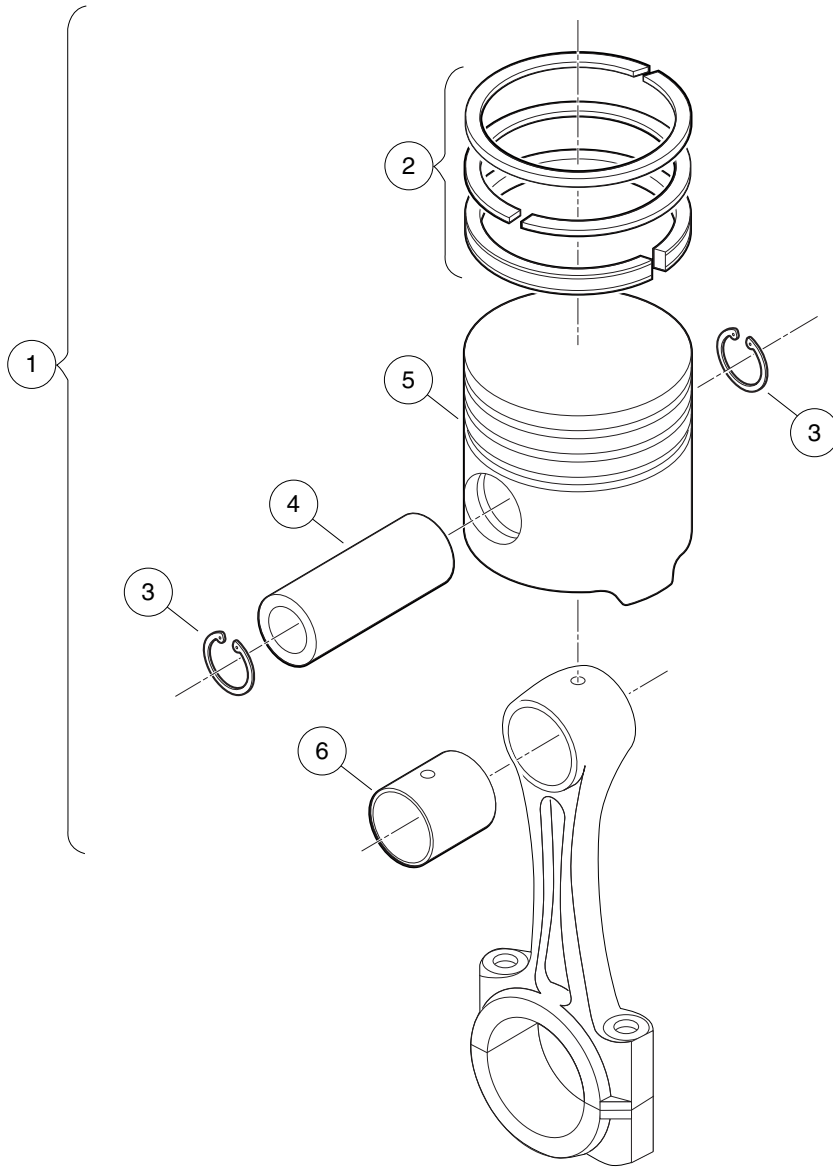
000065-001

GASKET KITS (D722 – E3B)

ITEM	PART NO.	DESCRIPTION	QTY
		1 2 3 4	
1	102731801	Kit, Gasket Upper, D722 (includes items 2 through 13)	1
2	102422301	Gasket, Exhaust Diesel	1
3	102600301	O Ring, 8 X 7	1
4	102633401	Gasket, Thermostat	1
5	102635301	Gasket, 6 X 10	3
6	102644001	O Ring, 30 X 36	1
7	102644501	Gasket, Head Cover	1
8	102646001	Gasket, Intake Manifold	1
9	102646601	Gasket, Exhaust Manifold	1
10	102653301	Seal, Valve Stem	6
11	102654101	Gasket, Cylinder Head	1
12	102654701	Gasket, Water Flange	1
13	102798501	Gasket, Cylinder Head Cover	1
14	102731901	Kit, Gasket Lower, D722 (includes items 15 through 27)	1
15	102601801	O Ring, 18 X 13	3
16	102606601	Gasket, Oil Pump	1
17	102608201	Gasket, Bearing Case	1
18	102608301	Gasket, Cover	1
19	102630301	O Ring, 23 X 26	1
20	102632701	Gasket, Water Pump, D722	1
21	102634001	O Ring, 19 X 16	1
22	102634401	O Ring, 9 X 7	1
23	102634501	Gasket, Control Plate	1
24	102654601	O Ring, 20 X 17	1
25	102728801	Gasket, Idle Apparatus, Rear	2
26	102729301	Gasket, Gearcase, D722	1
27	102732601	Gasket, Fuel Pump, D722	1

11

D



000066-001

PISTON REBUILD KIT (D722 – E3B)

ITEM	PART NO.	DESCRIPTION	QTY
		1 2 3 4	
1	102732001	Kit, Piston Rebuild, D722 (includes items 2 through 6)	1
2	102607601	Assy Piston Ring, D722 Std	1
3	102630901	Circlip, Piston Pin	2
4	102631001	Pin, Piston	1
5	102728101	Piston, D722, Std	1
6	102732201	Bushing, Piston Pin, D722	1

11

D

11

D

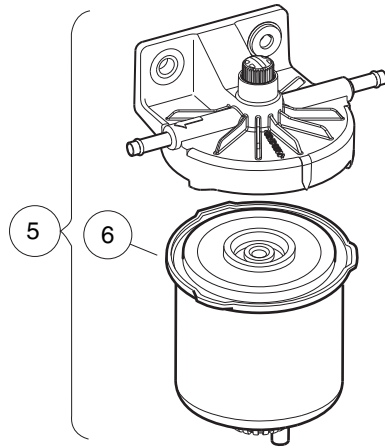
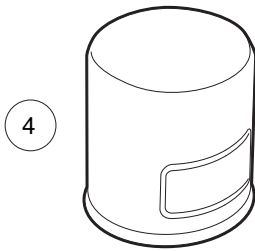
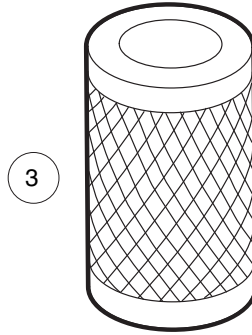
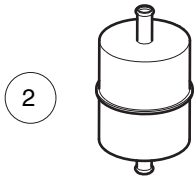
ENGINE – KUBOTA DIESEL, D722, E4B SERIES

12

D

12

D



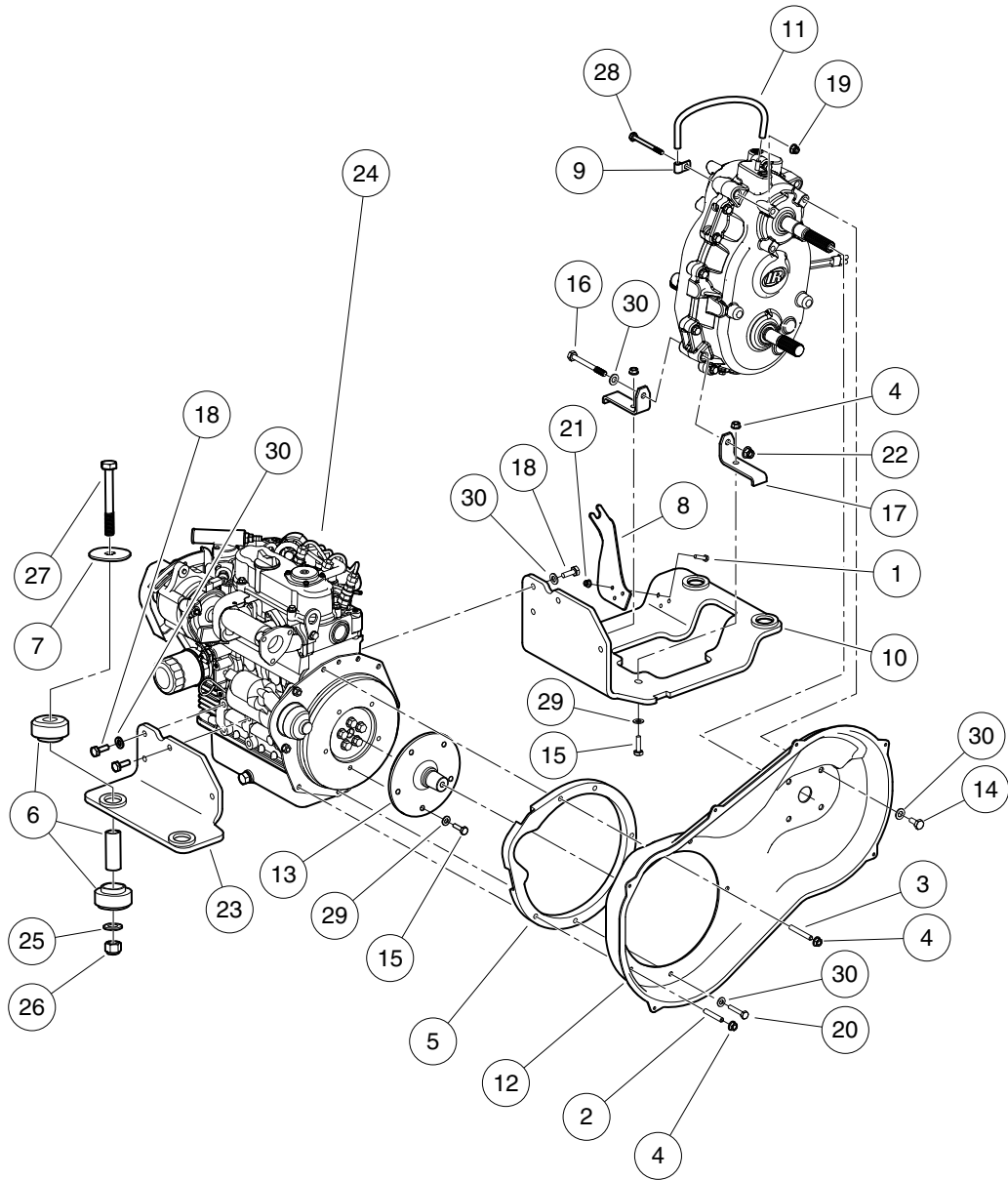
000992-002

TUNE-UP KIT – KUBOTA D722

ITEM	PART NO.	DESCRIPTION	QTY
		1 2 3 4	
1	AM11805	Kit, Tune-Up (For Kubota engines) (includes items 2 through 5)	1
2	102434701	Filter, Fuel	1
3	102498601	Element, Filter, Air, 5 Inch	1
4	102703301	Filter, Engine Oil, D722	1
5	103747301	Assembly, Filter/Bracket, Fuel, Diesel (includes item 6)	1
6	103761801	Filter, Fuel, Diesel	1

12

D



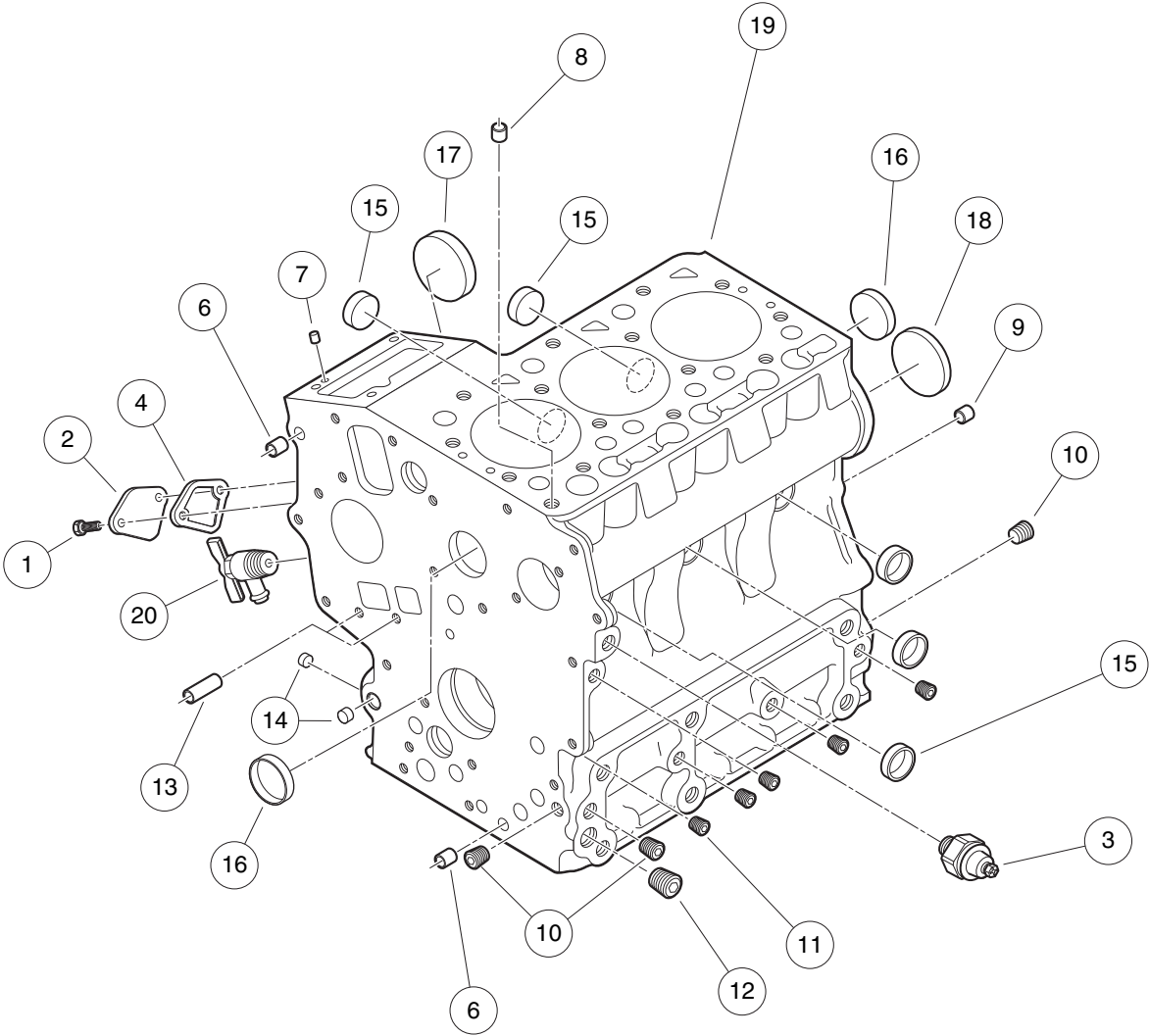
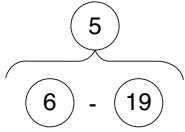
000025-005

DIESEL ENGINE AND ENGINE MOUNTING (D722 – E4B)

ITEM	PART NO.	DESCRIPTION	QTY
		1 2 3 4	
1	1012769	Screw, M6-1.00 X 25mm Hex Cap	3
2	101833101	Stud, M8-1.25 X 50 mm Two-Ended	1
3	101833201	Stud, M8-1.25 X 60mm Two-Ended	1
4	102298401	Nut,m8,all Metal Lock	7
5	102370101	Spacer, Engine, Diesel	1
6	102370501	Isolator Ring and Bushing	4
7	102370601	Washer, Snubbing, Ring N Bush	4
8	102382401	Bracket, FNR Trans Cable	1
9	102410603	P-Clamp, Insulated .312 In	1
10	102414801	Plate, Engine Mounting, Weld, Right-Hand	1
11	102462301	Hose, Vent, Transmission	1
12	102462501	Cover, CVT Inner, Diesel	1
13	102465901	Shaft, CVT Adapter	1
14	102490101	Bolt, M10 X 1.5 X 20 Loctite	4
15	102490201	Bolt, M8 X 1.25 X 25 Loctite	7
16	102490501	Bolt, M10 X 1.5 X 100 Loctite	1
17	102494401	Bracket, Transmission Mounting	2
18	102498201	Bolt, M10 X 1.25 X 25, Loctite	8
19	102618601	Lock Nut, Flange, M8 X 1.25 Nylon	1
20	102621301	Bolt, M8 X 1.25 X 40 with Loctite	3
21	102621501	Nut, Flange, M6 X 1.0, Nylon	3
22	102670701	Nut, Flange, M10 X 1.5 Nylon	1
23	102959001	Plate, Eng Mtg, Diesel, Lh	1
24	105159201	Engine, Diesel, Kubota, Tier4	1
25	96701412	Washer, M12 Hard	4
26	96704622	Locknut, M12x1.75 Nylon Insert	4
27	96704721	Bolt, M12 X 1.75 X 90	4
28	96718978	Bolt, M8 X 1.25 X 80	1
29	96741038	Washer, M8 Hard	10
30	96741046	Washer, M10, Hard	12

12

D



000039-002

CRANKCASE (D722 – E4B)

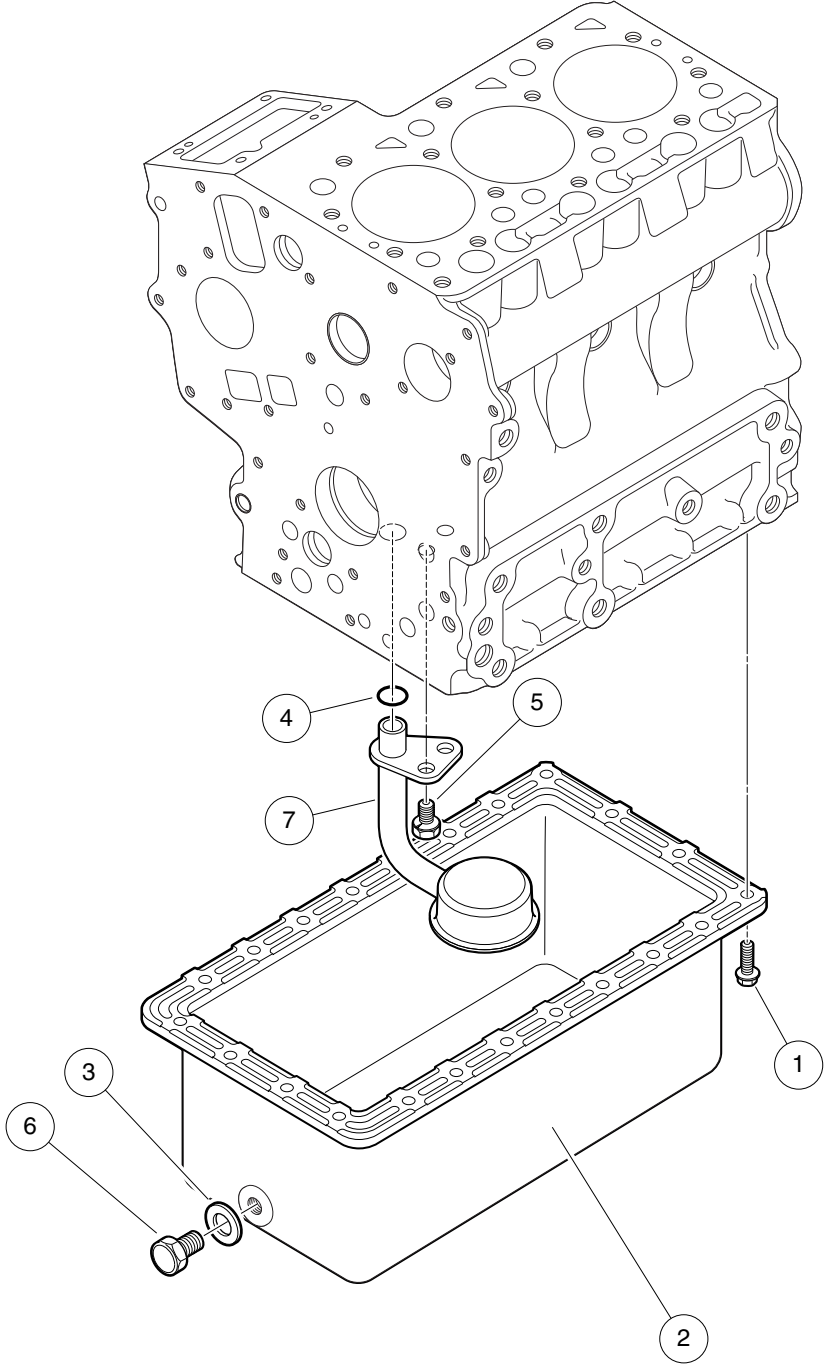
ITEM	PART NO.	DESCRIPTION	QTY
		1 2 3 4	
1	102631601	Bolt, M6 X 1 X 20	2
2	102700801	Plate, Engine Block	1
3	102730801	Switch, Oil Pressure	1
4	102732601	Gasket, Fuel Pump, D722	1
5	105205901	Engine Block, Kubota, D722 (includes items 6 through 19)	1
6	102600101	Pin, Pipe, Dia 8 X 14	2
7	102600201	Pin, Straight, Dia 5 X 10	2
8	102600401	Pin, Pipe, Dia 7 X 14	1
9	102600601	Pin, Straight, Dia 8 X 16	2
10	102600701	Plug, 1/8"	3
11	102600801	Plug, 3/32"	5
12	102601001	Plug, 1/4"	1
13	102601301	Pin, Pipe, Dia 8 X 11	2
14	102726201	Cap, Sealing, Small	3
15	102726301	Cap, Sealing, Med	5
16	102726401	Cap, Sealing, Large	2
17	102726501	Cover, Fuel Camshaft	1
18	102726601	Plug, Expansion	1
19	N/A	Block, Engine	1
20	105231101	Cock, Drain, D722	1

12

D

12

D



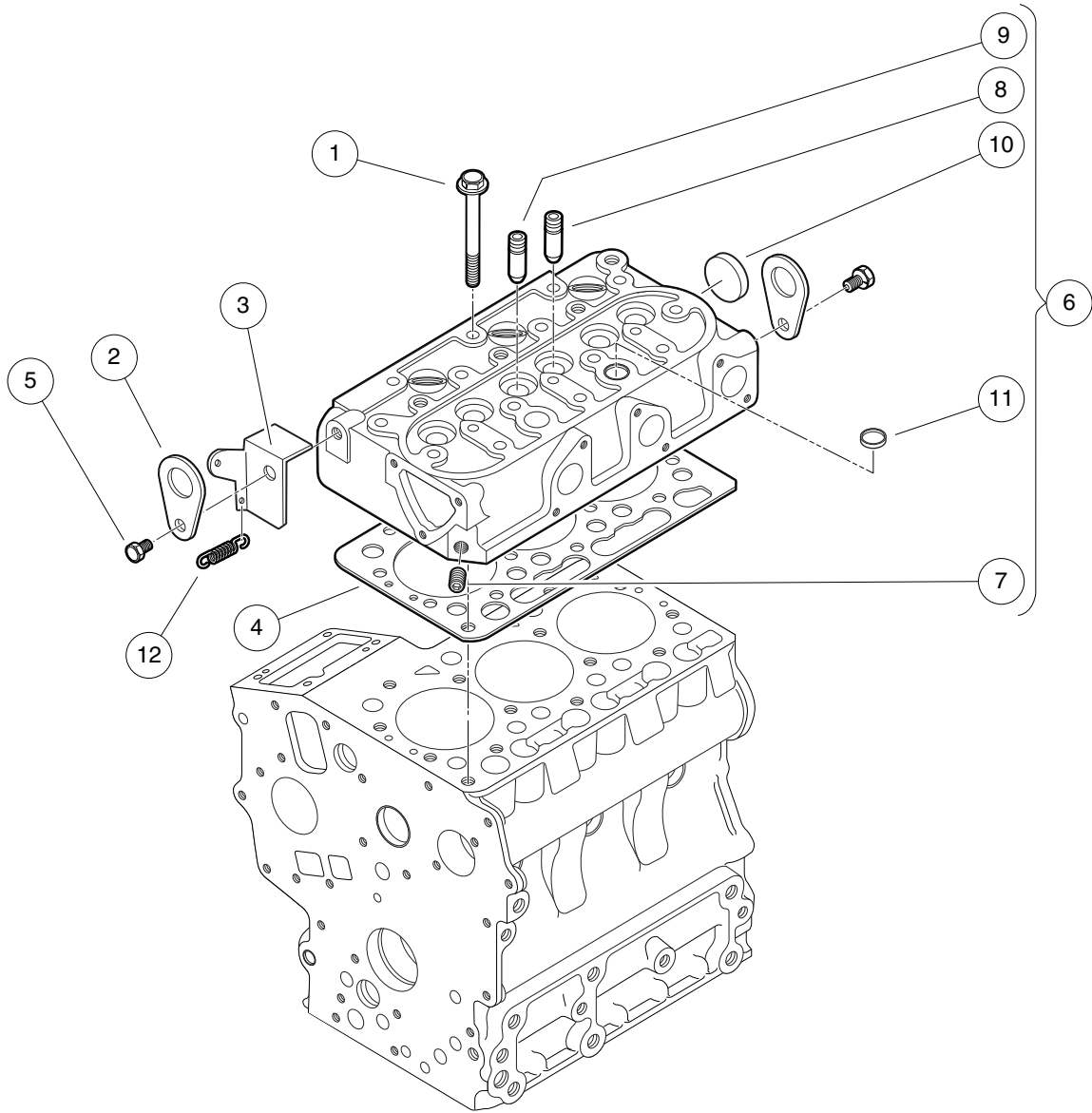
000040-002

OIL PAN (D722 – E4B)

ITEM	PART NO.	DESCRIPTION	QTY
		1 2 3 4	
1	102604201	Bolt, D722, Cam End	22
2	102607001	Oil Pan	1
3	102607301	Gasket, 20 X 13	1
4	102654601	O Ring, 20 X 17	1
5	105206101	Bolt, Mntg, Oil Pkup, D722	1
6	105218401	Plug, Drain, D722	1
7	105218501	Filter, Oil, Pick Up, D722, Tier 4	1

12

D



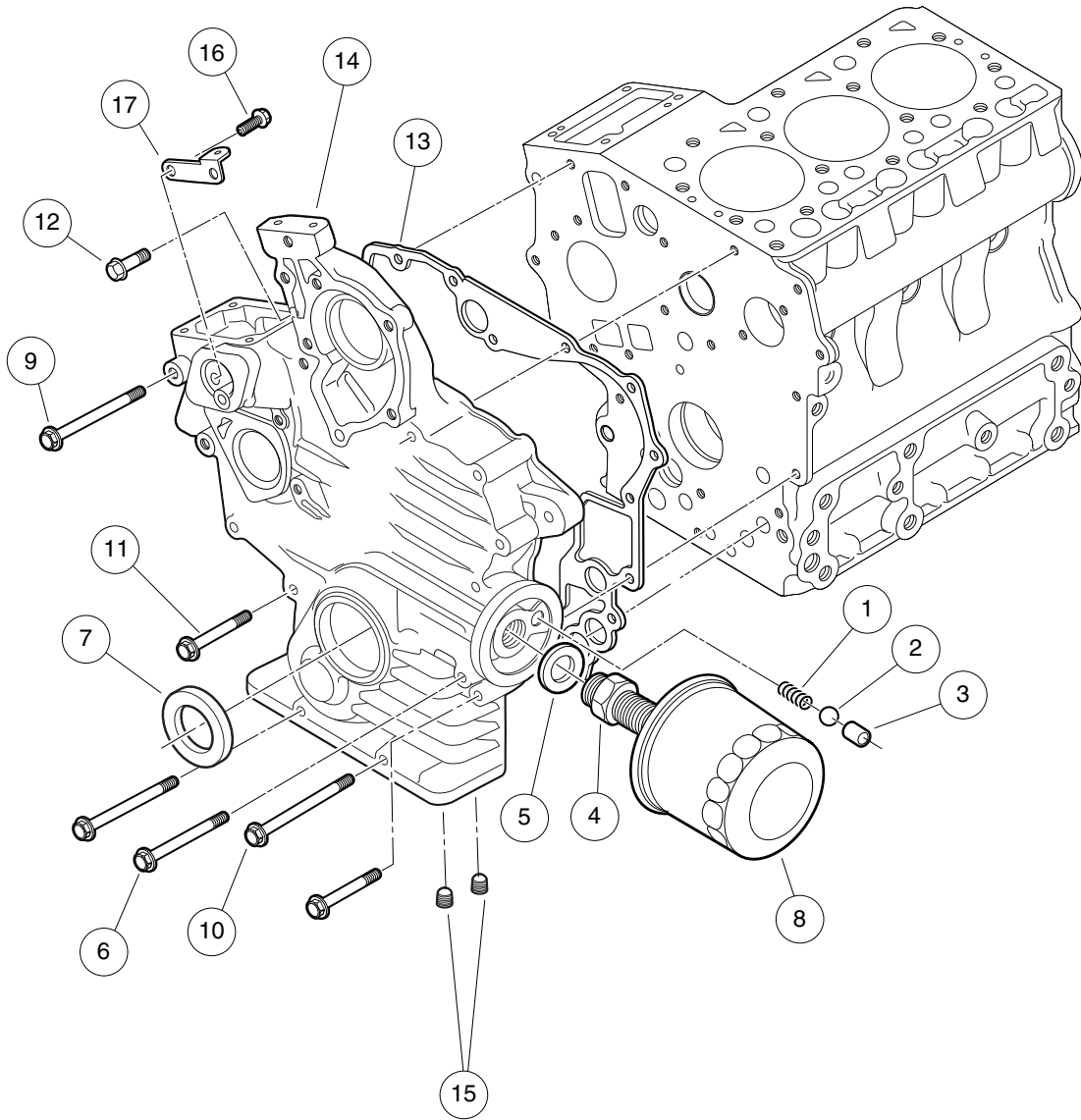
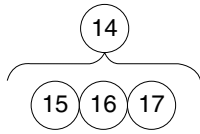
000041-003

CYLINDER HEAD (D722 – E4B)

ITEM	PART NO.	DESCRIPTION	QTY
		1 2 3 4	
1	102652801	Bolt, Cylinder Head	14
2	102653901	Hook, Engine	2
3	102727101	Stay, Cylinder Head	1
4	105206201	Gasket, Cylinder Hd, D722	1
5	105206301	Bolt, Engine Hook, D722	2
6	105206401	Cylinder Head, Comp, D722 (includes items 7 through 11)	1
7	102600801	Plug, 3/32"	1
8	102653401	Guide, Exhaust Valve	3
9	102653501	Guide, Inlet Valve	3
10	102726901	Cap, Sealing, Head	1
11	102727001	Cap, Sealing, Head, Top	2
12	105218601	Spring, Return, D722	1

12

D



000042-004

GEAR CASE (D722 – E4B)

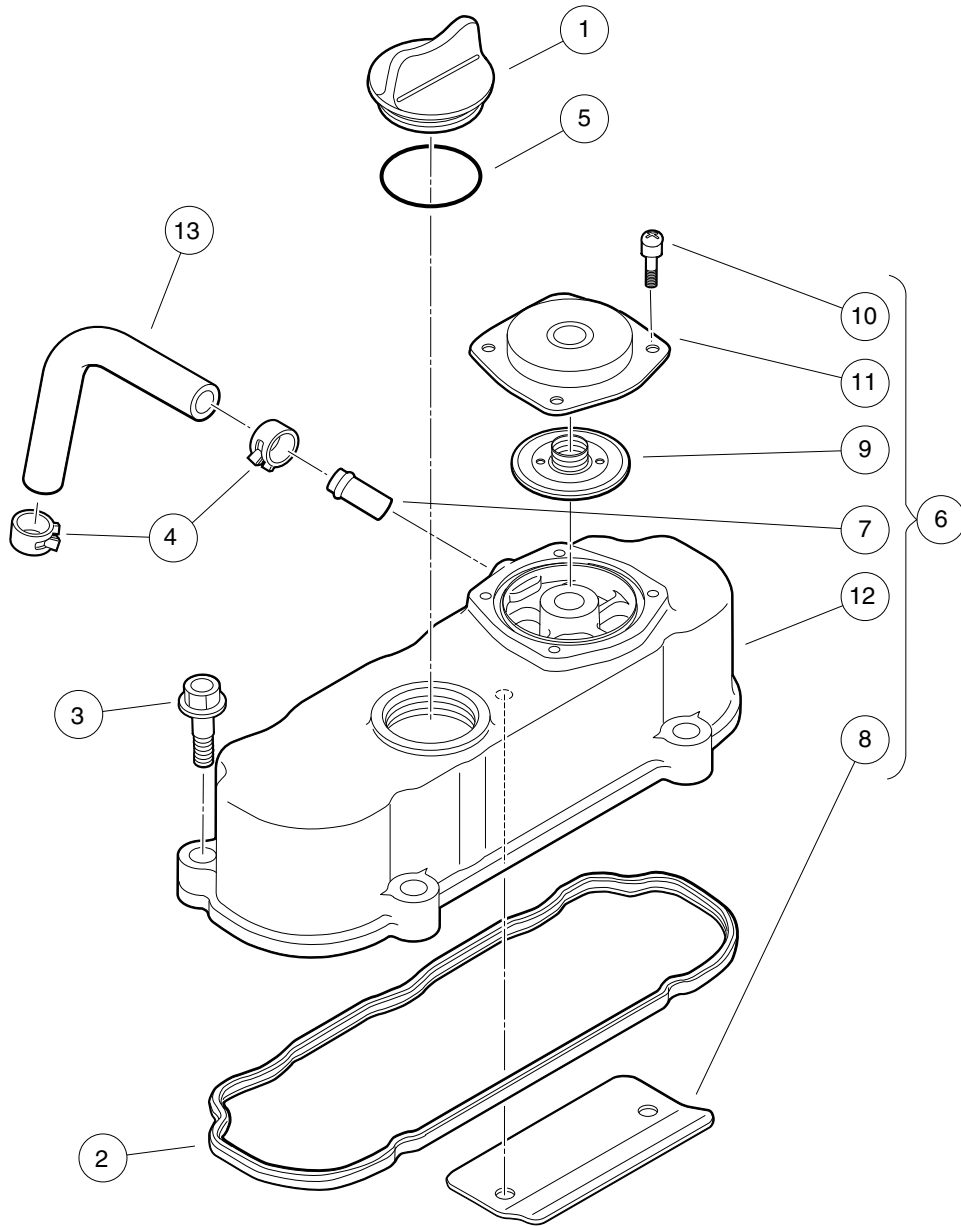
ITEM	PART NO.	DESCRIPTION	QTY
		1 2 3 4	
1	102601901	Spring, Valve	1
2	102602001	Ball, Valve	1
3	102602101	Seat, Valve	1
4	102602301	Joint, Pipe	1
5	102602401	Washer, Plain, Special	1
6	102602601	Bolt, M6 X 1 X 60	2
7	102602701	Seal, Oil	1
8	102703301	Filter, Engine Oil, D722	1
9	102727401	Bolt, Gearcase, Top	2
10	102727501	Bolt, Gearcase, Lower	1
11	105206501	Bolt, Front Case, D722	9
12	105206601	Bolt, Intake Manfld, D722	1
13	105218701	Gasket, Gearcase, D722	1
14	105218801	Case, Gear, D722 (includes items 15 through 17)	1
15	102601001	Plug, 1/4"	2
16	102727601	Screw, Breather	2
17	102798201	Stay, Spring	1

12

D

12

D



000181-002

HEAD COVER (D722 – E4B)

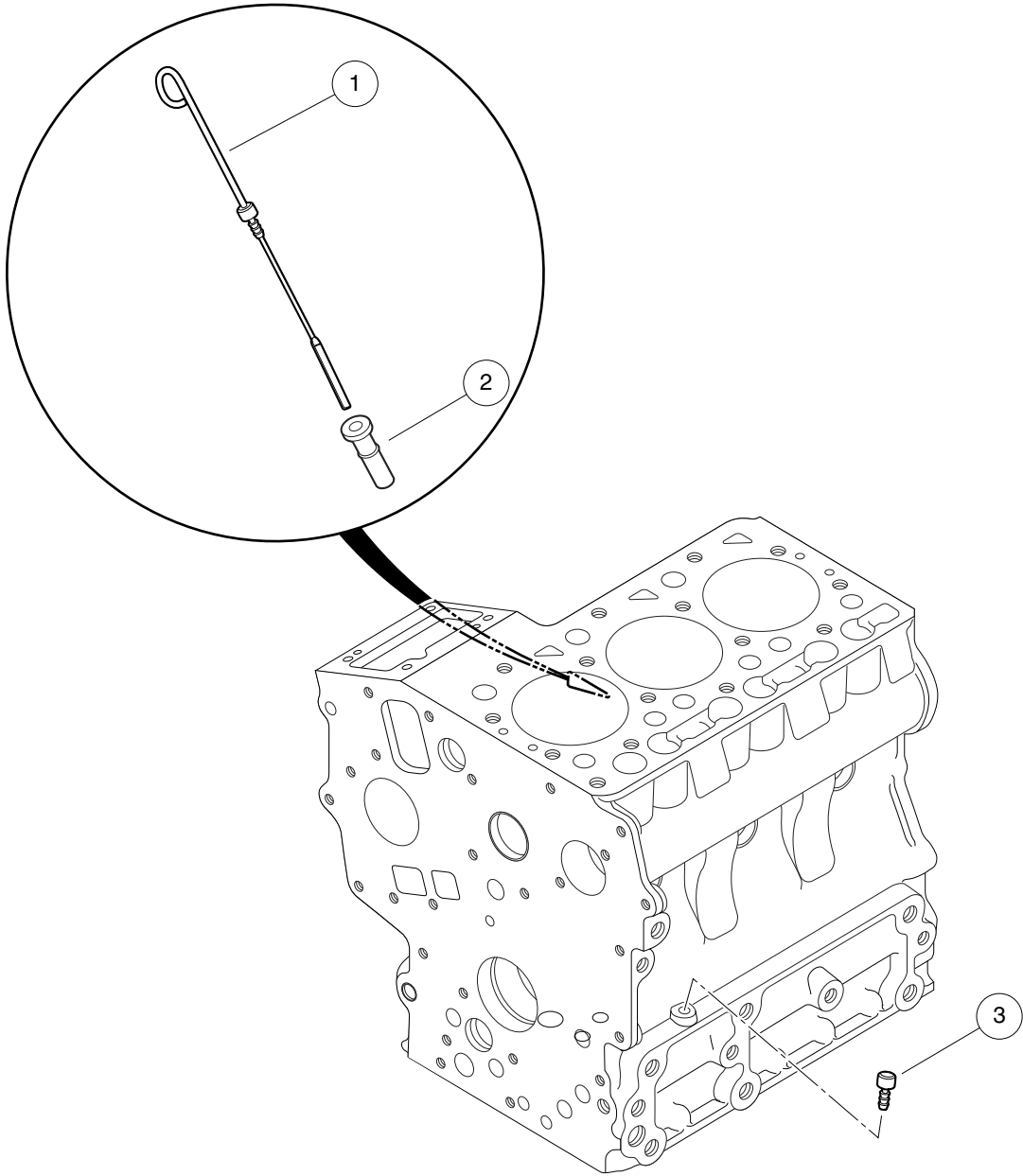
ITEM	PART NO.	DESCRIPTION	QTY
		1 2 3 4	
1	102644101	Plug, Oil Filler	1
2	102798501	Gasket, Cylinder Head Cover	1
3	102798701	Bolt, Cylinder Head Cover	4
4	102798901	Clamp, Breather Tube	2
5	105206701	O Ring, Oil Fill, D722	1
6	105218901	Assy, Cyl Head Cover, D722 (includes items 7 through 12)	1
7	102633301	Pipe, Water Return, D722	1
8	102798601	Shield, Breather	1
9	102799001	Valve, Breather	1
10	102799201	Screw, Breather	4
11	105219001	Cover, Breather, D722	1
12	105219101	Cover, Cyl Head, D722	1
13	105219201	Tube, Breather, D722	1

12

D

12

D



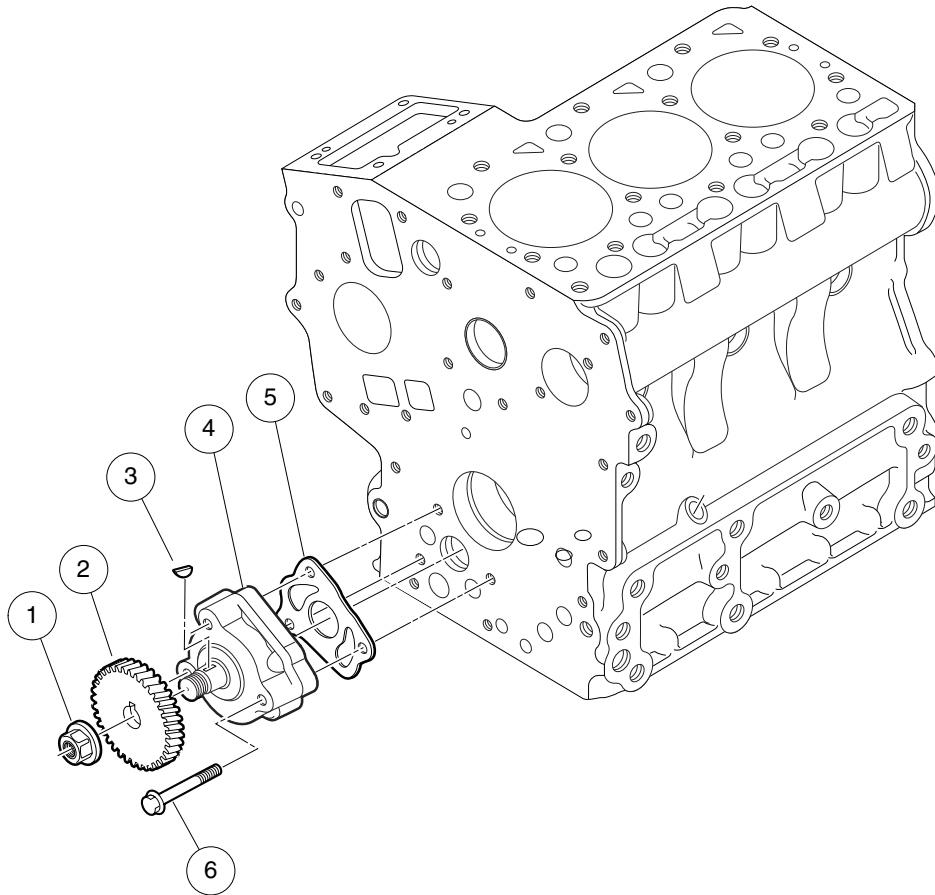
000044-004

DIPSTICK AND GUIDE (D722 – E4B)

ITEM	PART NO.	DESCRIPTION	QTY
		1 2 3 4	
1	102606701	Dipstick, Oil	1
2	102727701	Guide, Oil Dipstick	1
3	105219401	Plug, Oil Gauge, D722	1

12

D



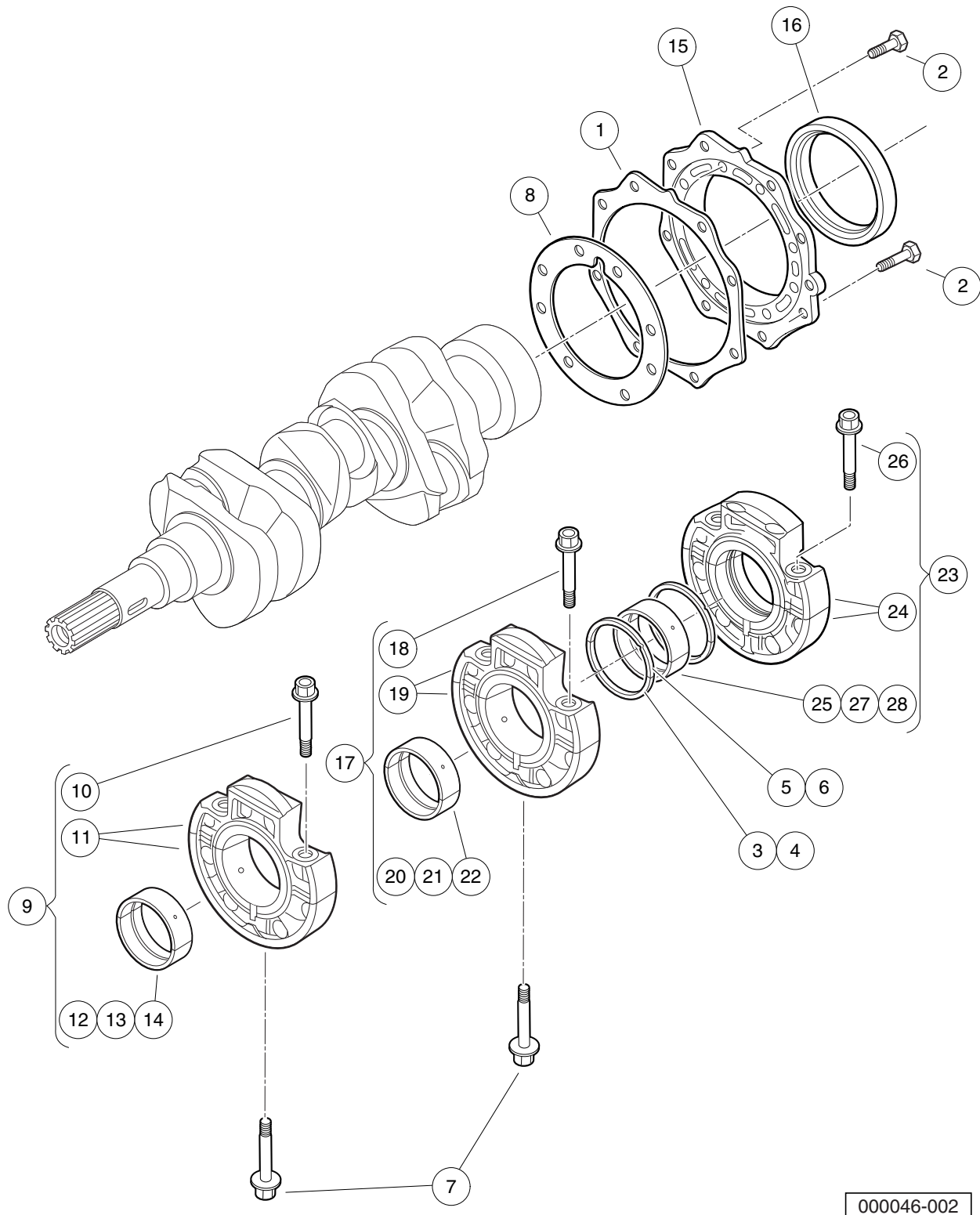
000045-001

OIL PUMP (D722 – E4B)

ITEM	PART NO.	DESCRIPTION	QTY
		1 2 3 4	
1	102606201	Nut, Flange, D722 Oil Pump	1
2	102606301	Gear, Oil Pump Drive	1
3	102606401	Key, Feather, 8x4	1
4	102606501	Assy, Pump, Oil	1
5	102606601	Gasket, Oil Pump	1
6	102727901	Bolt, Oil Pump	3

12

D



000046-002

MAIN BEARINGS AND BEARING CASES (D722 – E4B)

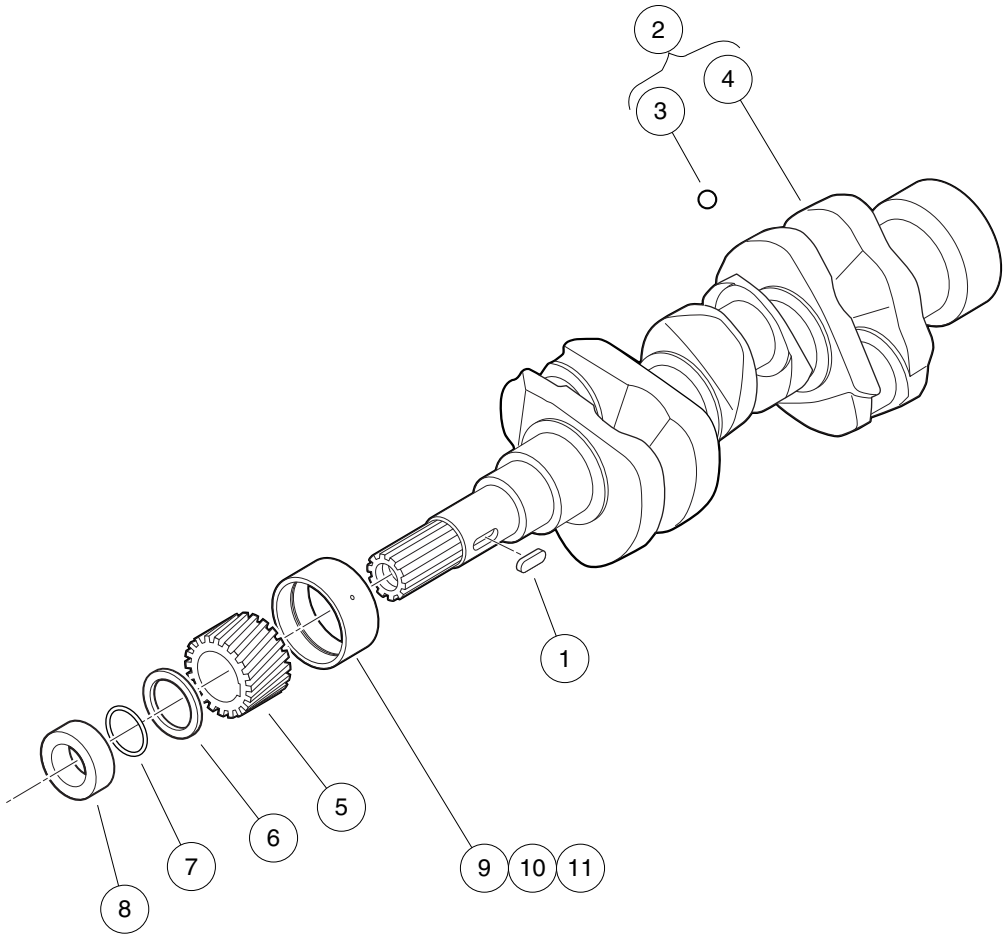
ITEM	PART NO.	DESCRIPTION	QTY
		1 2 3 4	
1	102608301	Gasket, Cover	1
2	102608701	Bolt, M6 X 1 X 22	16
3	102608801	Metal,crank, O Side, Std	2
4	102608802	Metal,crank, O Side, +.020	2
5	102608804	Metal,crank, I Side, Std	2
6	102608805	Metal,crank, I Side, +.020	2
7	102609401	Bolt, Bearing Case, Bottom	2
8	105219501	Gasket, Bearing Case, D722	1
9	105219801	Assy, Brg Case, D722 (includes items 10 through 14)	1
10	102608901	Bolt, Bearing Case, Top	2
11	105206901	Asm Case, Mn Brg, Third, D722	1
12	105220101	Metal, Crankshaft, Std, D722	1
13	105221701	Metal, Crankshaft, -0.20, D722	1
14	105221801	Metal, Crankshaft, -0.40, D722	1
15	105219901	Cover, Brg Case, D722	1
16	105220001	Seal, Oil, D722	1
17	105220201	Assy, Brg Case, D722 (includes items 18 through 22)	1
18	102608901	Bolt, Bearing Case, Top	2
19	102609301	Assy, Case, Main Bearing, Second	1
20	105220101	Metal, Crankshaft, Std, D722	1
21	105221701	Metal, Crankshaft, -0.20, D722	1
22	105221801	Metal, Crankshaft, -0.40, D722	1
23	105220301	Assy, Brg Case, D722 (includes items 24 through 28)	1
24	N/A	Assy, Case, Main Bearing, First	1
25	105219601	Metal, Crankshaft, Std, D722	1
26	105219701	Bolt, Flange, D722	2
27	105221501	Metal, Crankshaft, -0.20, D722	1
28	105221601	Metal, Crankshaft, -0.40, D722	1

12

D

12

D



000048-003

CRANKSHAFT (D722 – E4B)

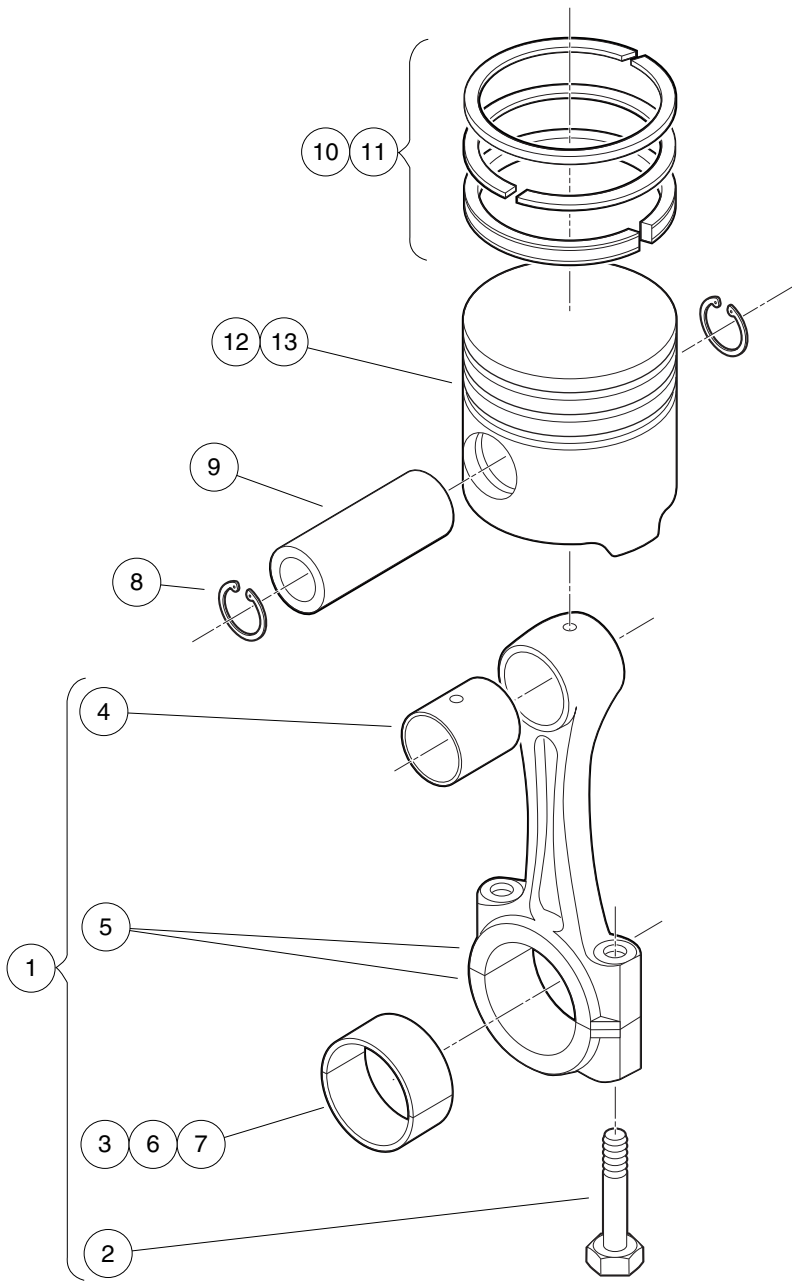
ITEM	PART NO.	DESCRIPTION	QTY
		1 2 3 4	
1	102604401	Key, Feather, Short Camshaft	1
2	102610001	Crankshaft (includes items 3 and 4)	1
3	102608001	Ball, Crankshaft	3
4	N/A	Crankshaft	1
5	102630101	Gear, Crank	1
6	102630201	Slinger, Oil	1
7	102630301	O Ring, 23 X 26	1
8	102630401	Collar, Crankshaft	1
9	105221101	Metal, Crank, Fr, Std, D722	1
10	105221201	Metal, Crank, Fr, -0.20, D722	1
11	105221301	Metal, Crank, Fr, -0.40, D722	1

12

D

12

D



000066-002

PISTON, PISTON RINGS AND CONNECTING ROD (D722 – E4B)

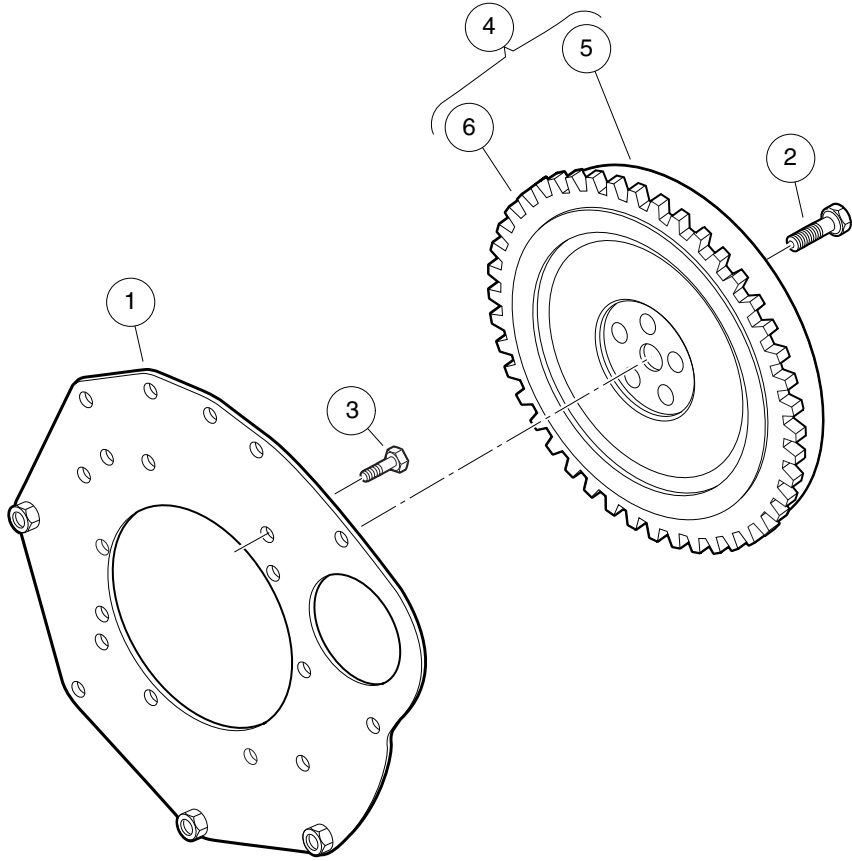
ITEM	PART NO.	DESCRIPTION	QTY
		1 2 3 4	
1	102607801	Assy, Connecting Rod (includes items 2 through 7)	3
2	102607901	Bolt, Connecting Rod	2
3	102630701	Metal, Crank, Rod, D722, Std	1
4	102732201	Bushing, Piston Pin, D722	1
5	N/A	Rod, Connecting	1
6	105220901	Metal, Crank, Rod, -0.20, D722	1
7	105221001	Metal, Crank, Rod, -0.40, D722	1
8	102630901	Circlip, Piston Pin	6
9	102631001	Pin, Piston	3
10	105207101	Assy, Piston Ring, Std, D722	3
11	105207201	Assy, Piston Ring, +0.25, D722	3
12	105207301	Piston, Std, D722	3
13	105207401	Piston, +0.25, D722	3

12

D

12

D



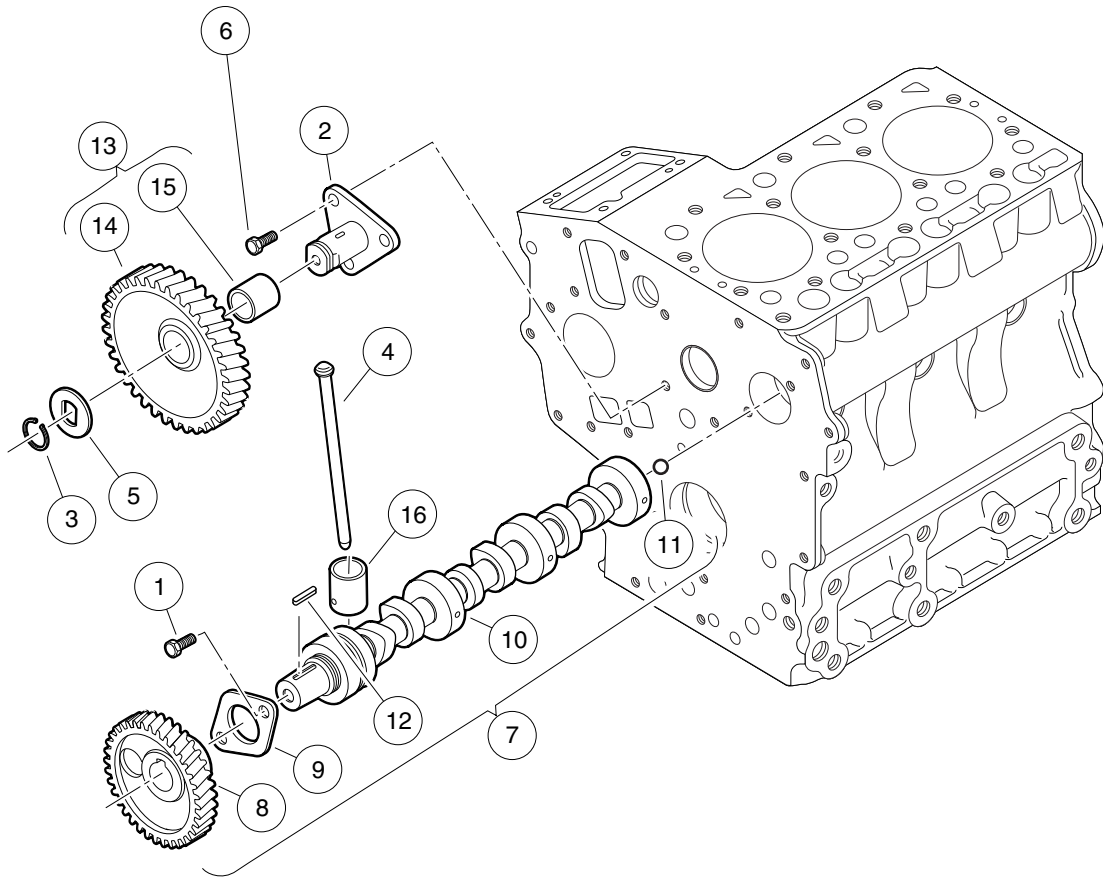
000049-002

FLYWHEEL (D722 – E4B)

ITEM	PART NO.	DESCRIPTION	QTY
		1 2 3 4	
1	102647501	Plate, Rear End	1
2	102648001	Bolt, Flange Head, M10 X 1.5 X 25	5
3	102728301	Bolt, End Plate	10
4	105207501	Comp, Flywheel, D722 (includes items 5 and 6)	1
5	N/A	Flywheel	1
6	105207601	Gear, Ring, D722	1

12

D



000047-003

CAMSHAFT AND IDLE GEAR (D722 – E4B)

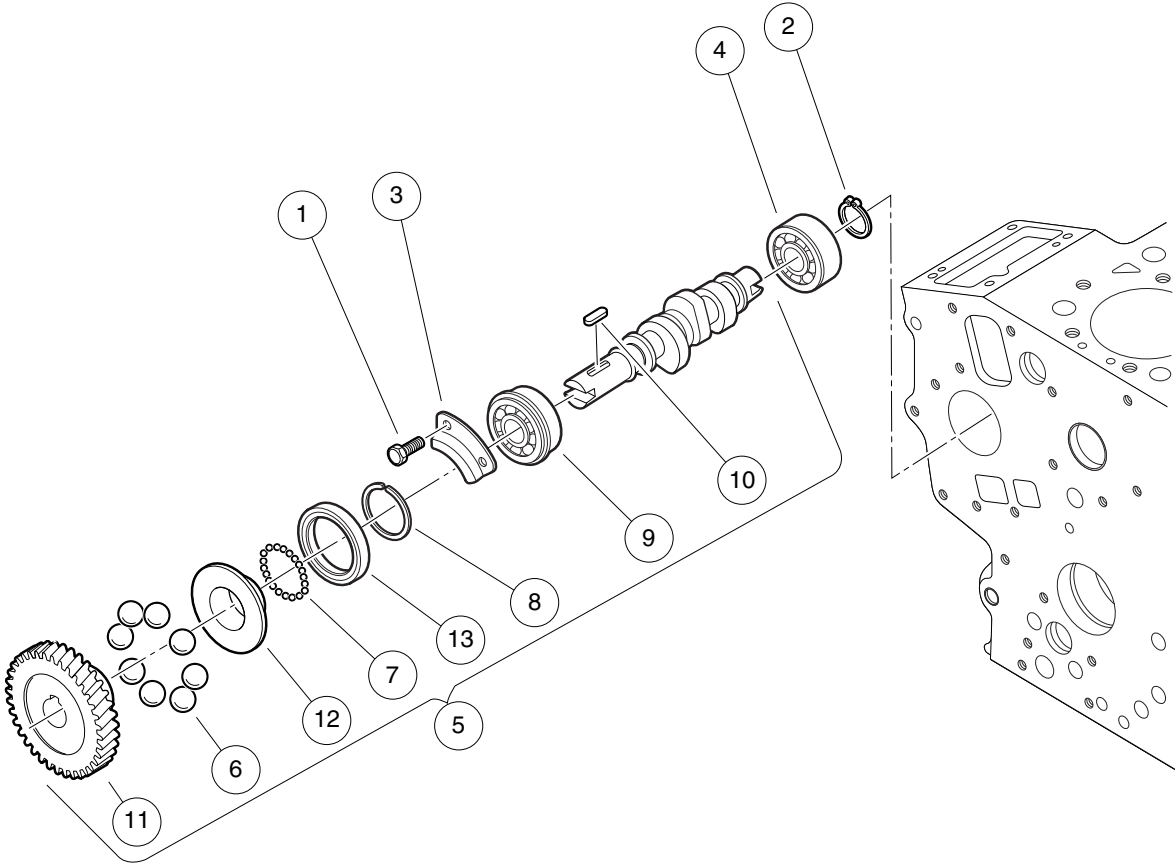
ITEM	PART NO.	DESCRIPTION	QTY
		1 2 3 4	
1	102604201	Bolt, D722, Cam End	2
2	102605001	Shaft, Idle Gear	1
3	102605301	Ring, Snap	1
4	102605401	Push Rod	6
5	102654401	Collar, Idle Gear	1
6	102729101	Bolt, Solenoid, Stop, D722	3
7	105207001	Assy, Camshaft, Long, D722 (includes items 8 through 12)	1
8	102605901	Gear, Cam	1
9	102606001	Stopper, Camshaft	1
10	N/A	Camshaft	1
11	102799401	Ball, Check	1
12	105220701	Key, Feather, D722	1
13	105220401	Gear, Idle, D722 (includes items 14 and 15)	1
14	N/A	Gear, Idle	1
15	105220501	Bushing, Idle Gear, D722	1
16	105220601	Tappet, D722	6

12

D

12

D



000050-002

FUEL CAMSHAFT (D722 – E4B)

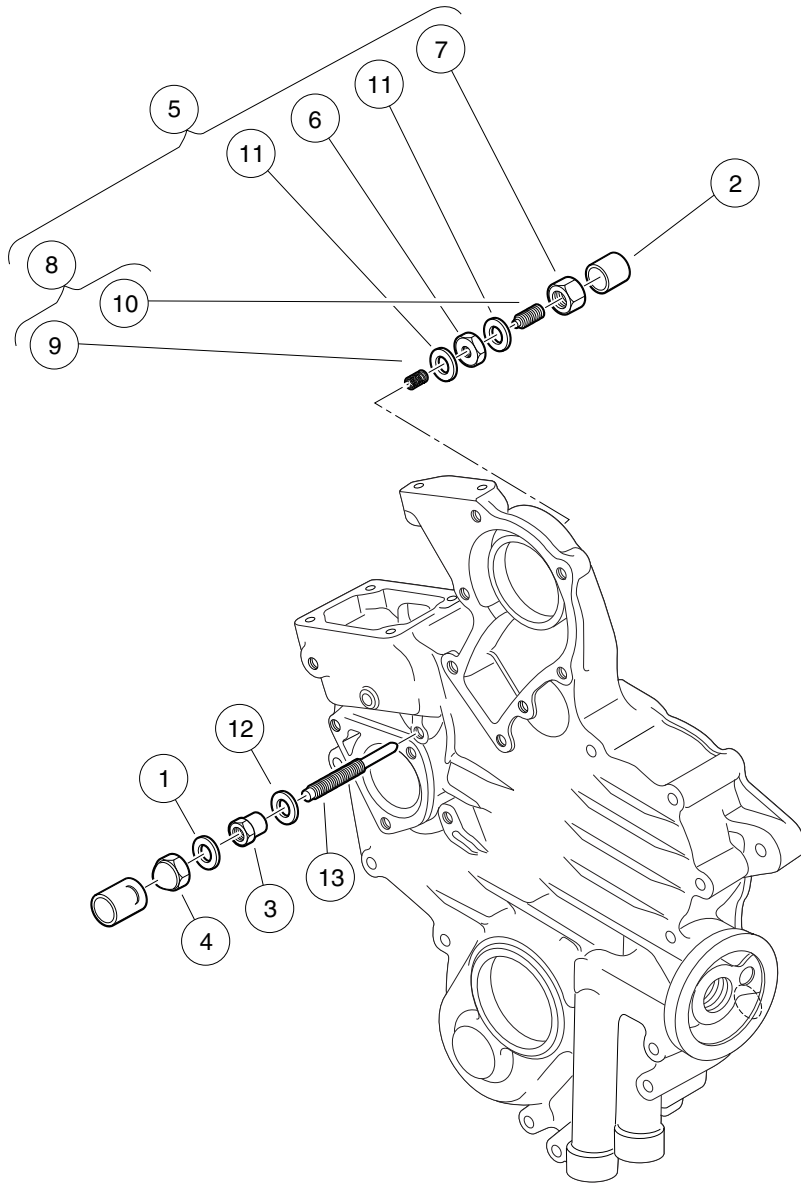
ITEM	PART NO.	DESCRIPTION	QTY
		1 2 3 4	
1	102604201	Bolt, D722, Cam End	2
2	102604701	Circlip, External	1
3	102604801	Stopper, Fuel, Camshaft	1
4	102728501	Bearing, Ball	1
5	105207701	Assy, Fuel Camshaft, D722 (includes items 6 through 13)	1
6	102603701	Ball, Injection Pump	8
7	102603901	Ball, Governor	32
8	102604101	Circlip	1
9	102604301	Bearing, Ball	1
10	102604401	Key, Feather, Short Camshaft	1
11	105207801	Gear, Injection Pump, D722	1
12	105221401	Sleeve, Governor, D722	1
13	105231201	Case, Governor Ball, D722	1

12

D

12

D



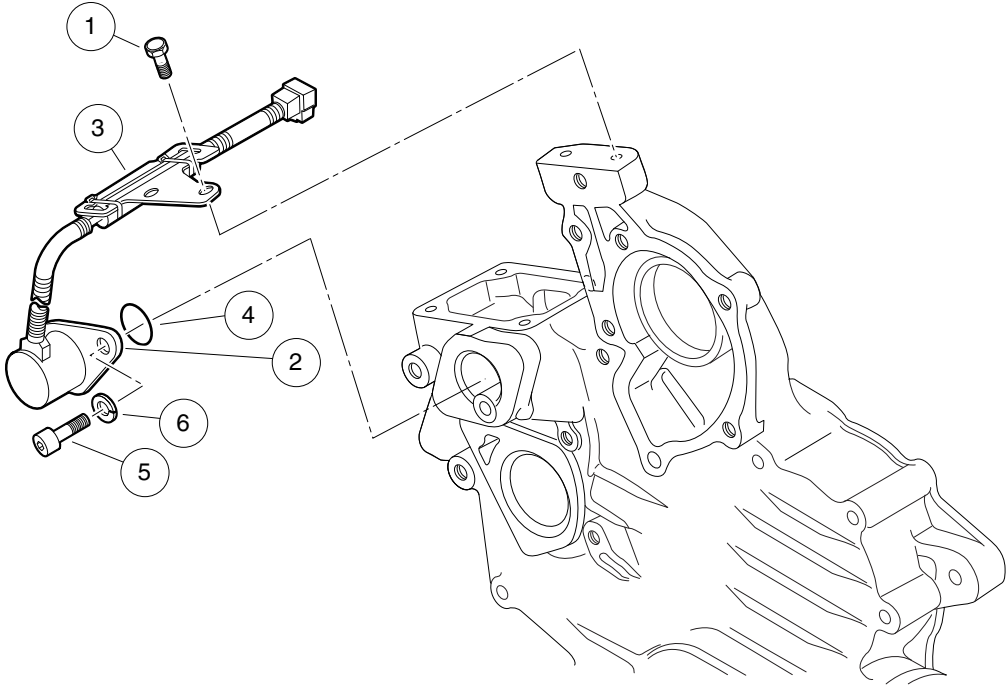
000051-002

IDLE APPARATUS (D722 – E4B)

ITEM	PART NO.	DESCRIPTION	QTY
		1 2 3 4	
1	102635301	Gasket, 6 X 10	1
2	102635701	Cap, Bolt Assy	1
3	102637001	Nut, Lock, Special	1
4	102637101	Nut, Special	1
5	102728601	Assy, Idle Apparatus (includes items 6 through 11)	1
6	102635501	Nut, M8, D722 Idle App, Specl	1
7	102635801	Nut, M8, D722 Idle App	1
8	102635901	Assy, Bolt, Adjusting (includes items 9 and 10)	1
9	102728701	Spring, Idle Apparatus	1
10	N/A	Stud, Idle Adjustment	1
11	102728801	Gasket, Idle Apparatus, Rear	2
12	102728901	Gasket, Idle Apparatus, Front	1
13	102799501	Bolt, Idle Adjusting	1

12

D



000182-002

STOP SOLENOID (D722-E4B)

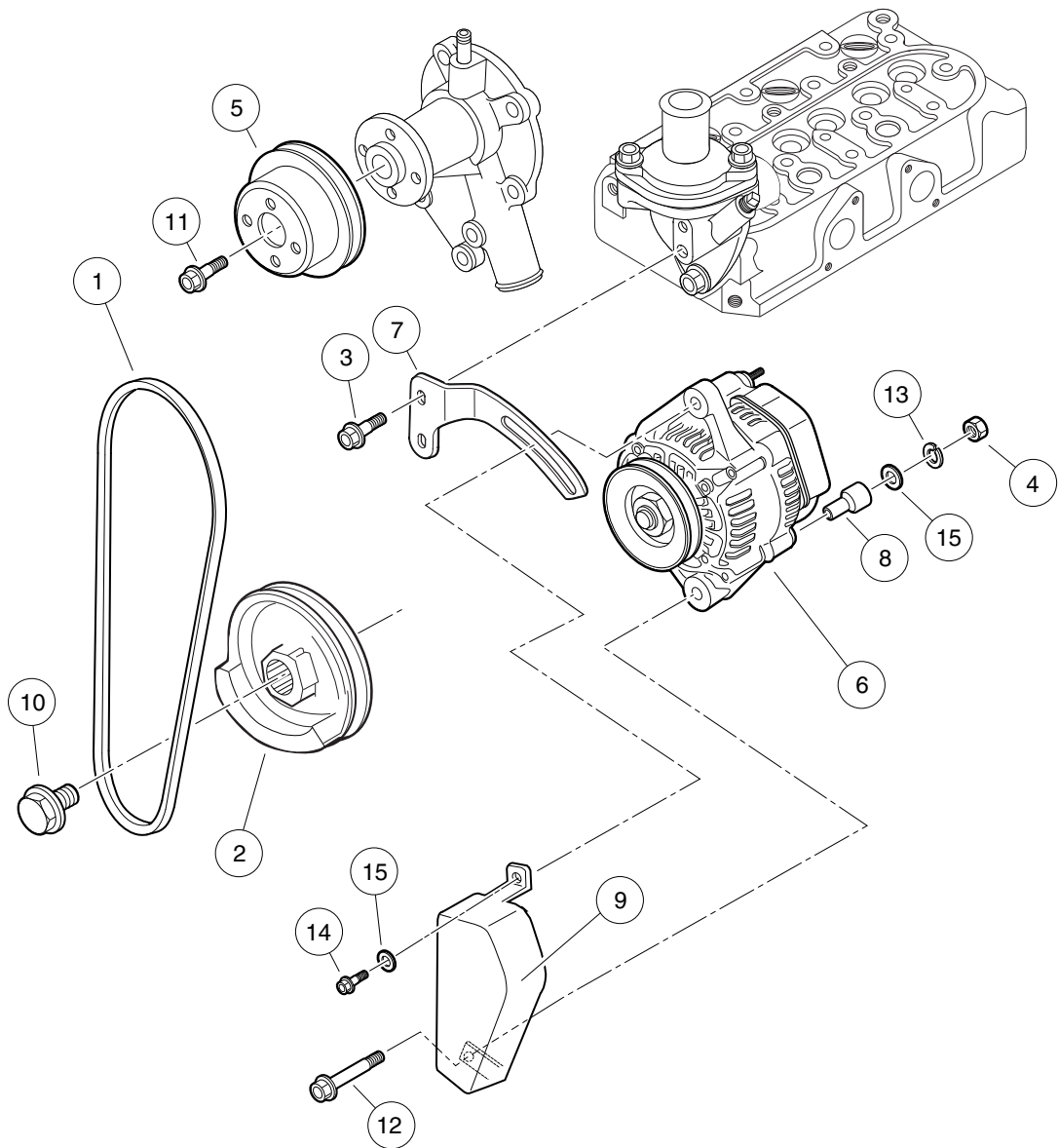
ITEM	PART NO.	DESCRIPTION	QTY
		1 2 3 4	
1	102729101	Bolt, Solenoid, Stop, D722	2
2	102799601	Solenoid, Stop	1
3	102799701	Stay, Stop Solenoid	1
4	102799801	O-Ring, Stop Solenoid	1
5	102799901	Bolt, Stop Solenoid	2
6	105207901	Washer, Spring, M6, D722	2

12

D

12

D



000057-004

40-AMP ALTERNATOR, BELT AND PULLEYS (D722 – E4B)

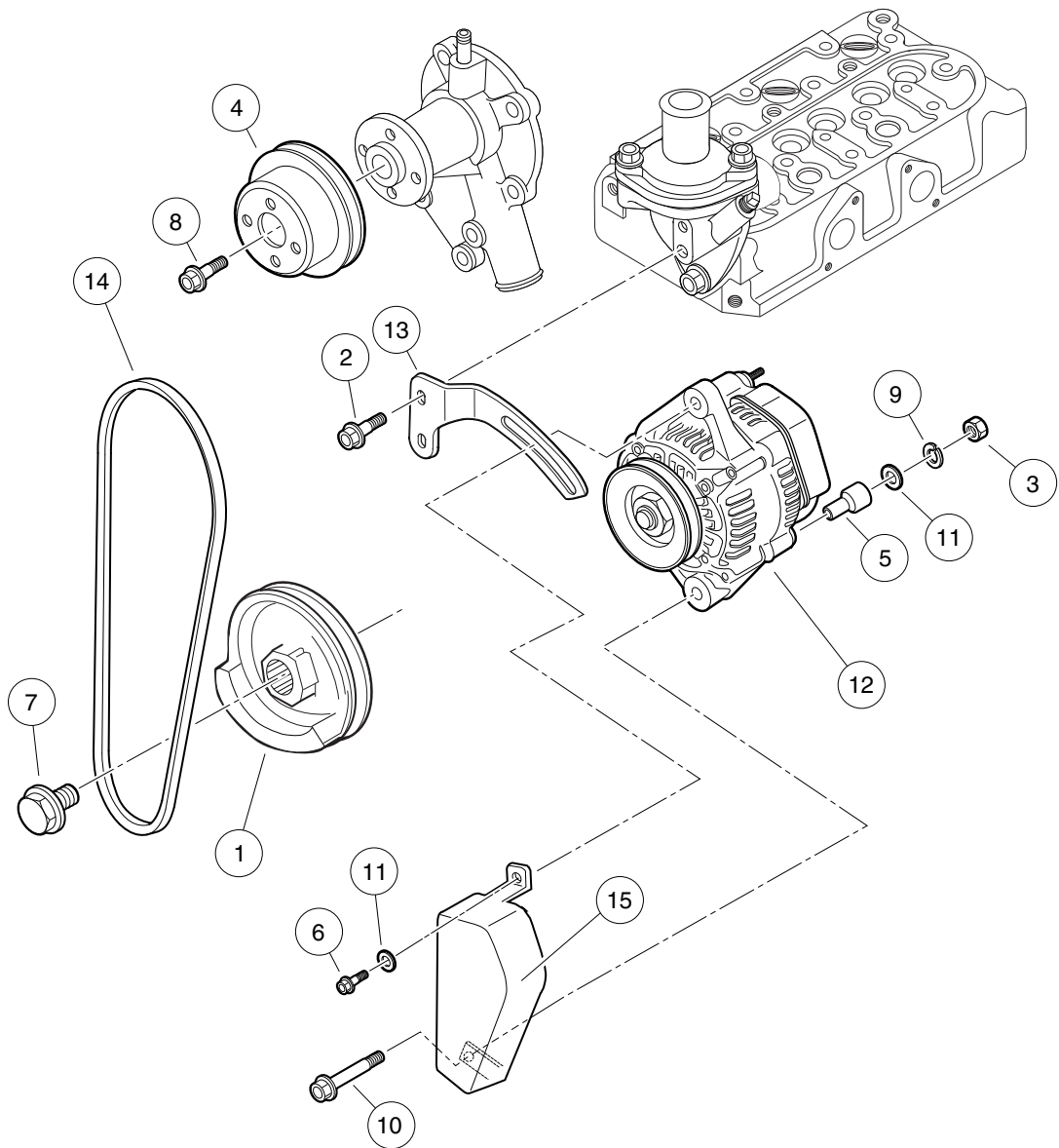
ITEM	PART NO.	DESCRIPTION	QTY
		1 2 3 4	
1	102601101	V-Belt	1
2	102630601	Pulley, Fan Drive	1
3	102631601	Bolt, M6 X 1 X 20	2
4	102647701	Nut, M8, Plate	1
5	102701201	Pulley, Water Pump	1
6	102730001	Alternator, 40-Amp	1
7	102730101	Stay, Alternator Assy, D722	1
8	102730201	Collar, Alternator Assy, D722	1
9	102730301	Cover, Alternator Assy, D722	1
10	102730601	Bolt, Alt, D722, Drive Pulley	1
11	102731301	Bolt, D722, Drive Pulley	4
12	102800701	Bolt, Alternator, Lower	1
13	105208001	Washer, Sprng, Strtr, D722	1
14	105221901	Bolt, Alt, Adjuster, D722	1
15	105222001	Washer, Alt, Upper, D722	2

12

D

12

D



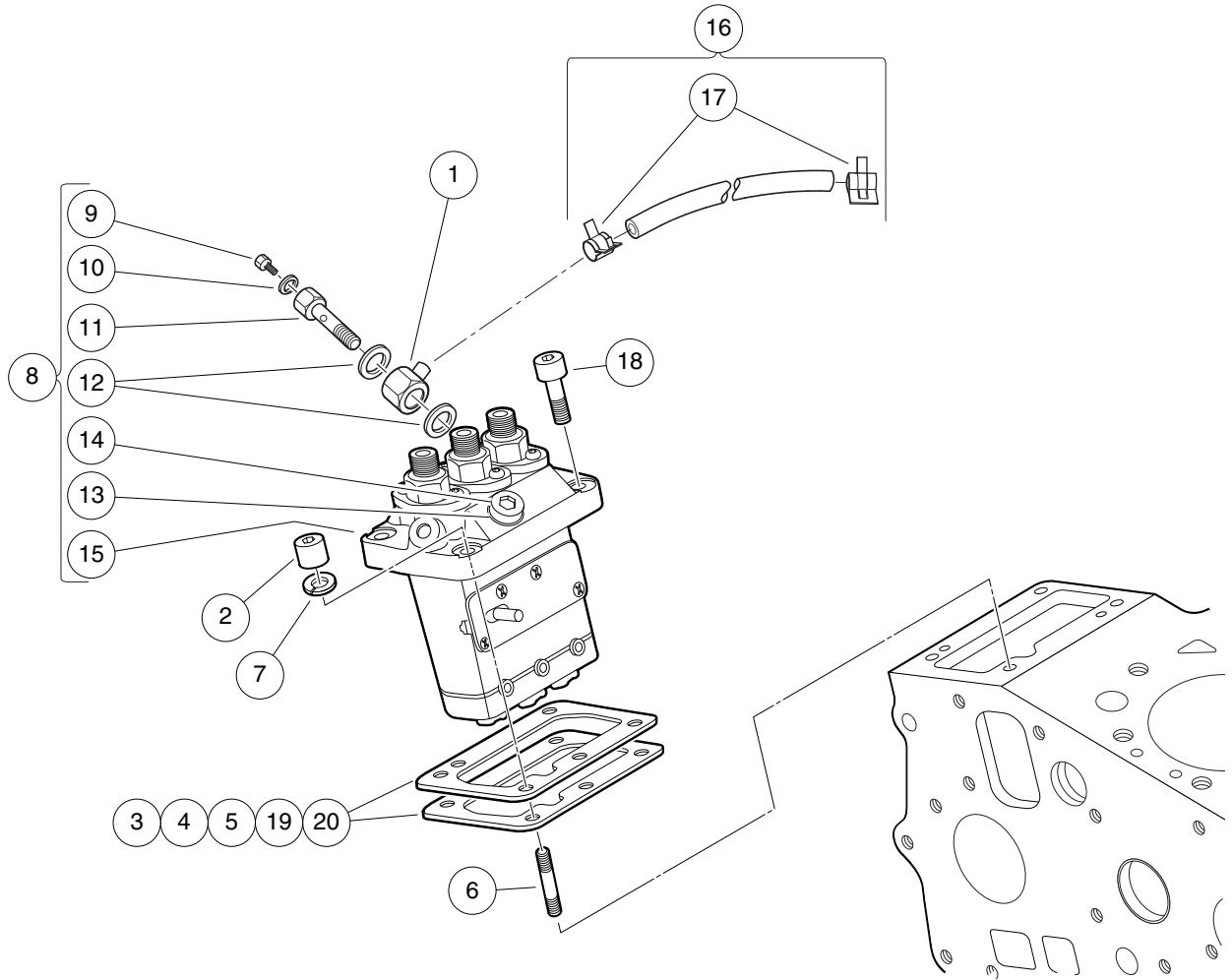
000057-003

60-AMP ALTERNATOR, BELT AND PULLEYS (D722 – E4B)

ITEM	PART NO.	DESCRIPTION	QTY
		1 2 3 4	
1	102630601	Pulley, Fan Drive	1
2	102631601	Bolt, M6 X 1 X 20	2
3	102647701	Nut, M8, Plate	1
4	102701201	Pulley, Water Pump	1
5	102730201	Collar, Alternator Assy, D722	1
6	102730401	Bolt, Alt, D722, Adjuster	1
7	102730601	Bolt, Alt, D722, Drive Pulley	1
8	102731301	Bolt, D722, Drive Pulley	4
9	102732501	Washer, Spring, D722, Starter	1
10	102800701	Bolt, Alternator, Lower	1
11	102801001	Washer, Alternator, Upper	2
12	102934701	Alternator, 60 Amp	1
13	102934801	Bracket, Alternator, D722, 60 Amp	1
14	102934901	Belt, Accessory Drive, D722, 60 Amp	1
15	103239901	Guard, Accessory Belt	1

12

D



000053-003

FUEL INJECTION PUMP (D722 – E4B)

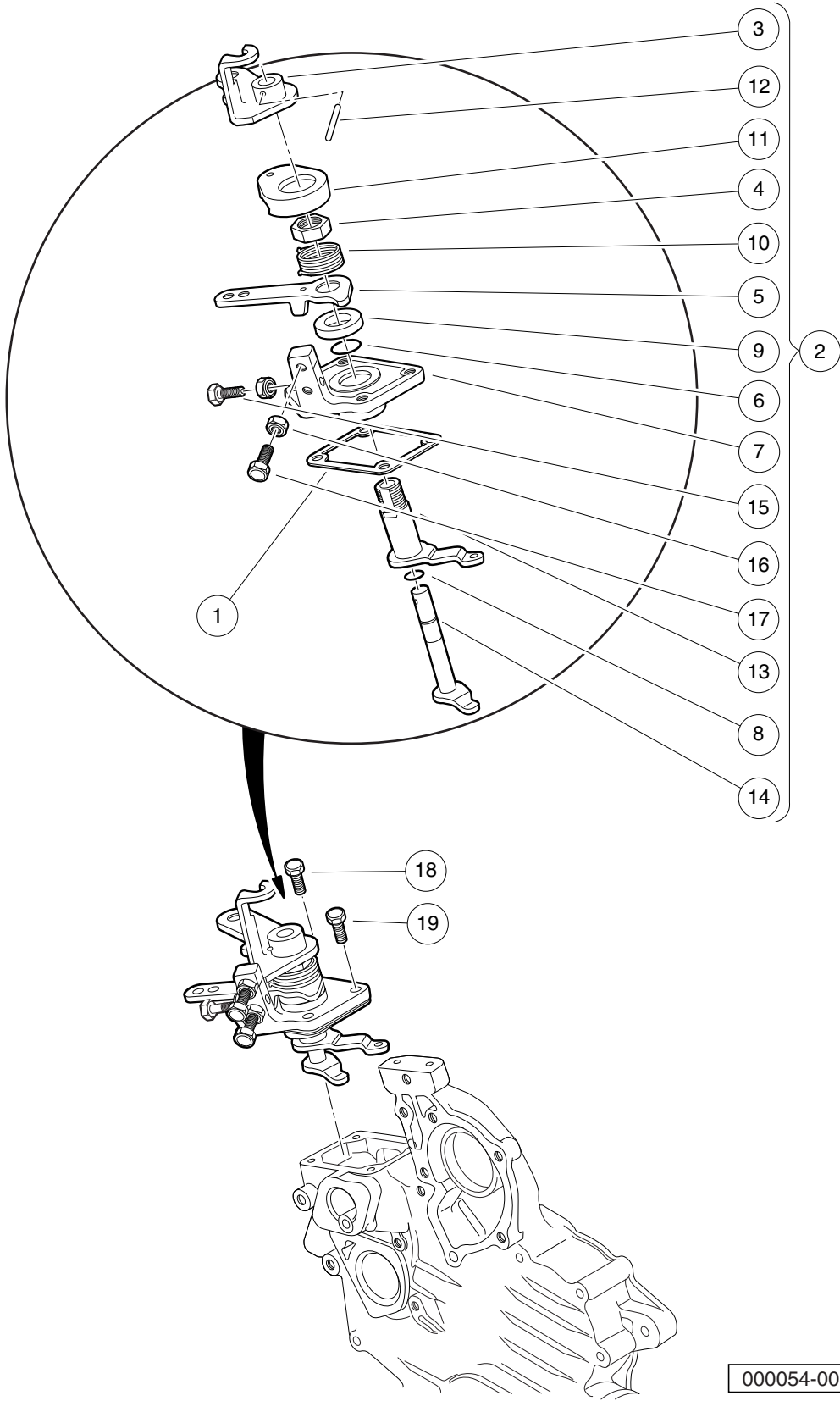
ITEM	PART NO.	DESCRIPTION	QTY
		1 2 3 4	
1	102640401	Joint, Eye	1
2	102640701	Nut, Special	2
3	102640901	Shim, Injection Pump, 0.20 mm	1
4	102641001	Shim, Injection Pump, 0.25 mm	1
5	102641101	Shim, Injection Pump, 0.30 mm	1
6	102641201	Stud, M5 X 25	2
7	105207901	Washer, Spring, M6, D722	2
8	105225401	Assy, Pump Injection, D722 (includes items 9 through 15)	1
9	102637501	Screw, D722, Injection Pump	1
10	102637601	Gasket, D722, Inj Pump, Top	1
11	102637701	Screw, Hollow, D722, Inj Pump	1
12	102637801	Gasket, D722, Inj Pump, Lower	2
13	102639101	Gasket, D722, Inj Pump, Plug	1
14	102729201	Plug, Injection Pump	1
15	N/A	Pump, Injection	1
16	105225501	Assy, Fuel Pipe, D722 (includes item 17)	1
17	105225601	Clip, Pipe, D722	2
18	105225701	Bolt, Hex Head, D722	2
19	105225801	Shim, Inj Pump, 0.175, D722	1
20	105225901	Shim, Inj Pump, 0.350, D722	1

12

D

12

D



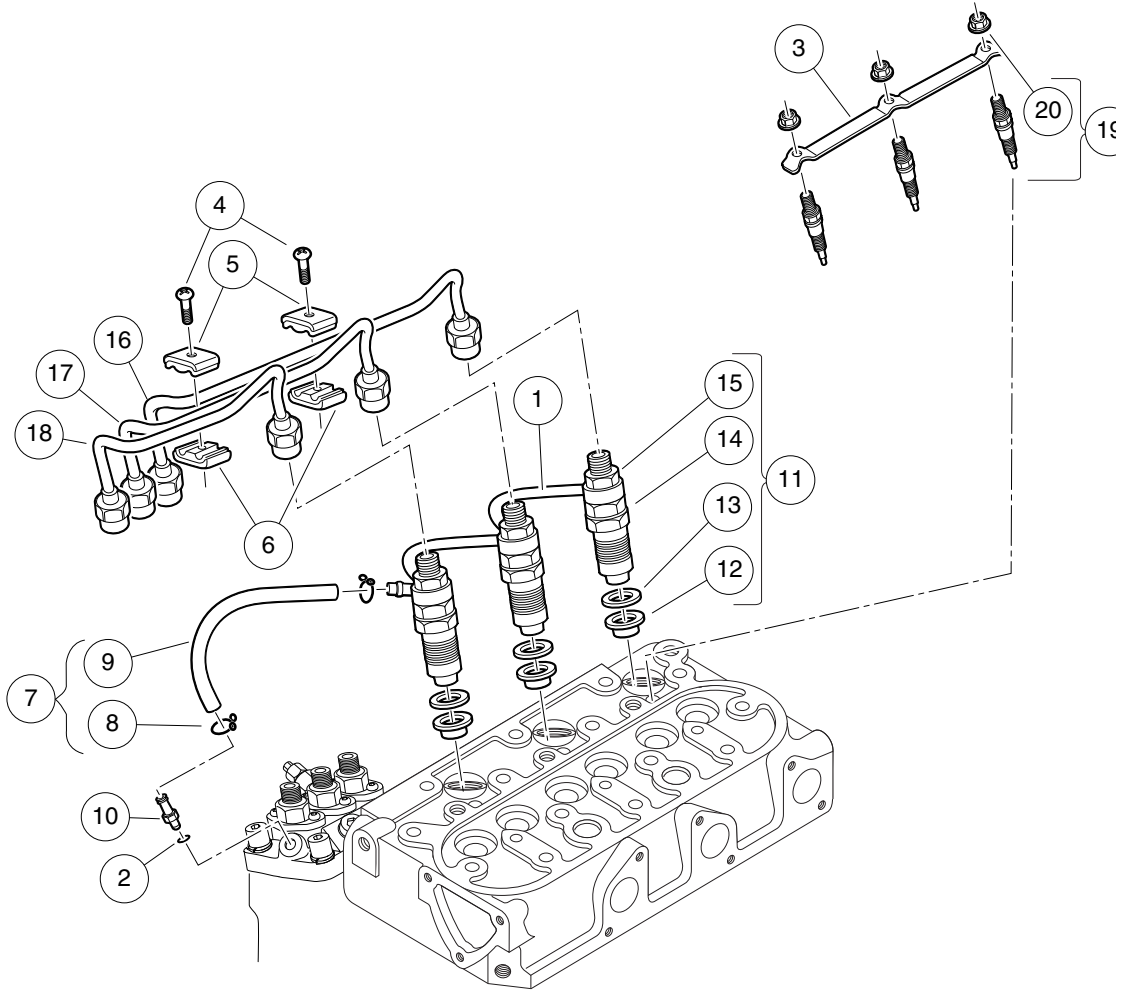
000054-003

SPEED CONTROL (D722 – E4B)

ITEM	PART NO.	DESCRIPTION	QTY
		1 2 3 4	
1	102634501	Gasket, Control Plate	1
2	102800401	Assembly, Speed Plate (includes items 3 through 17)	1
3	102633701	Lever, Engine Stop	1
4	102633801	Nut, Speed Control	1
5	102633901	Lever, Speed Control	1
6	102634001	O Ring, 19 X 16	1
7	102634101	Plate, Speed Control	1
8	102634401	O Ring, 9 X 7	1
9	102634601	Collar, Lever	1
10	102634701	Spring, Return	1
11	102729401	Cap, Speed Cntrl Plate Rtrn	1
12	102729501	Pin, Spring, Speed Plate	1
13	102800501	Lever, Governor	1
14	102800601	Shaft, Governor Lever	1
15	105222301	Bolt, Speed Control, D722	1
16	105222401	Nut, Speed Control, D722	3
17	105222501	Bolt, Speed Control, D722	2
18	105206601	Bolt, Intake Manfld, D722	2
19	105222201	Bolt, Flange, D722	2

12

D



000055-002

NOZZLE HOLDERS AND GLOW PLUGS (D722 – E4B)

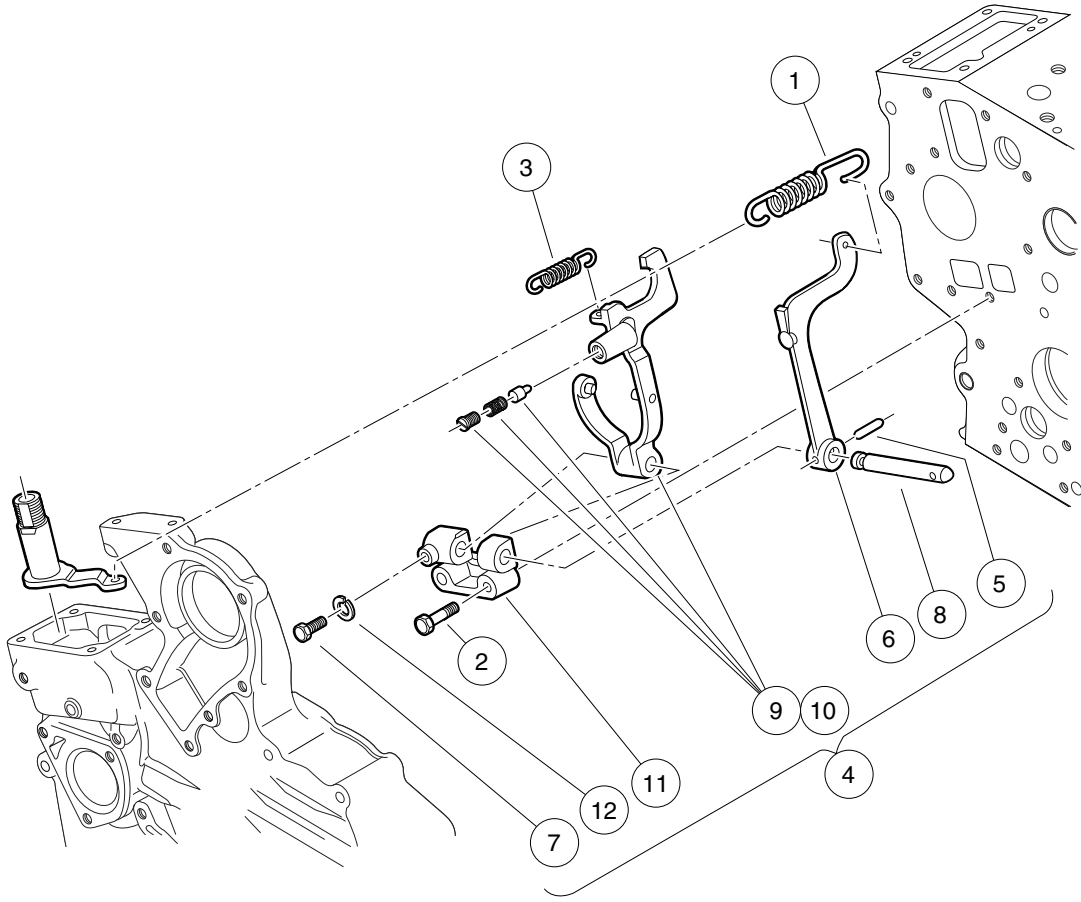
ITEM	PART NO.	DESCRIPTION	QTY
		1 2 3 4	
1	102605701	Assy Pipe, D722 Fuel Over Flow	1
2	102635301	Gasket, 6 X 10	1
3	102642401	Cord, Glow Plug	1
4	102642801	Screw, Washer	2
5	102642901	Clamp, Pipe, Top	2
6	102643301	Clamp, Pipe, Bottom	2
7	102643401	Assy Pipe, Over Flow (includes items 8 and 9)	1
8	102729601	Clip, Pipe, Return	2
9	105222901	Pipe, Fuel Overflow, D722	1
10	102643701	Screw, Air Bleeder	1
11	105208201	Kit, Holder, Nozzle, D722 (includes items 12 through 15)	3
12	102642701	Seal, Heat	3
13	102643601	Gasket, Nozzle	3
14	105208301	Assy Holder, Nozzle, D722	3
15	105223001	Nut, Hex, D722	3
16	105222601	Pipe, Injection, D722	1
17	105222701	Pipe, Injection, D722	1
18	105222801	Pipe, Injection, D722	1
19	105223101	Plug, Glow, D722 (includes item 20)	3
20	102642501	Nut, Flange,m4	3

12

D

12

D



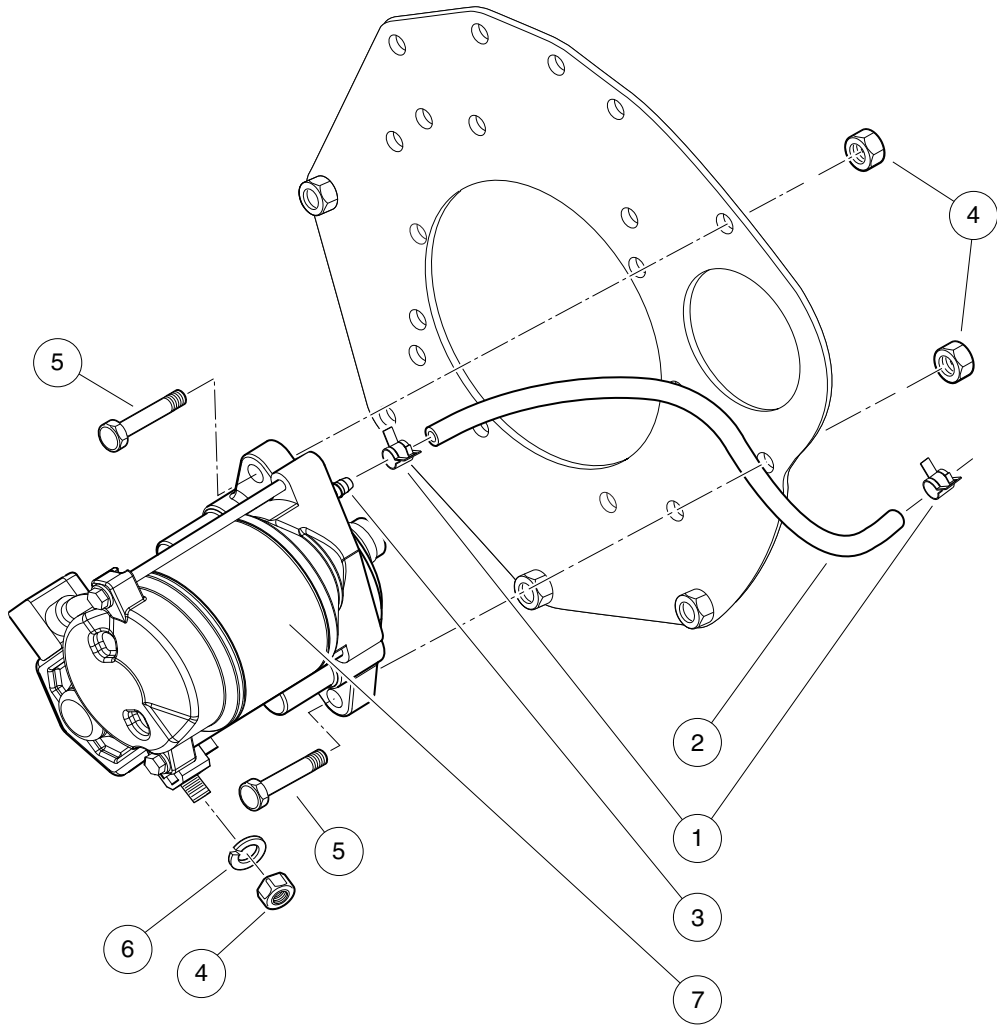
000056-004

GOVERNOR COMPONENTS (D722 – E4B)

ITEM	PART NO.	DESCRIPTION	QTY
		1 2 3 4	
1	102635101	Spring, Governor	1
2	102636301	Bolt, M5 X 0.75 X 25	2
3	102800201	Spring, Start	1
4	105208401	Assy, Gov Fork, D722 (includes items 5 through 12)	1
5	102633601	Pin, Spring	1
6	102636101	Lever, Fork, End	1
7	102636401	Bolt, M5 X 0.75 X 11	1
8	102636601	Shaft, Fork Lever	1
9	N/A	Lever, Fork, Middle, D722 CB (includes item 10)	1
10	102701601	Spring, Lever	1
11	105208501	Holder, Fork Lever, D722	1
12	105208601	Washer, Spring, M5, D722	1

12

D



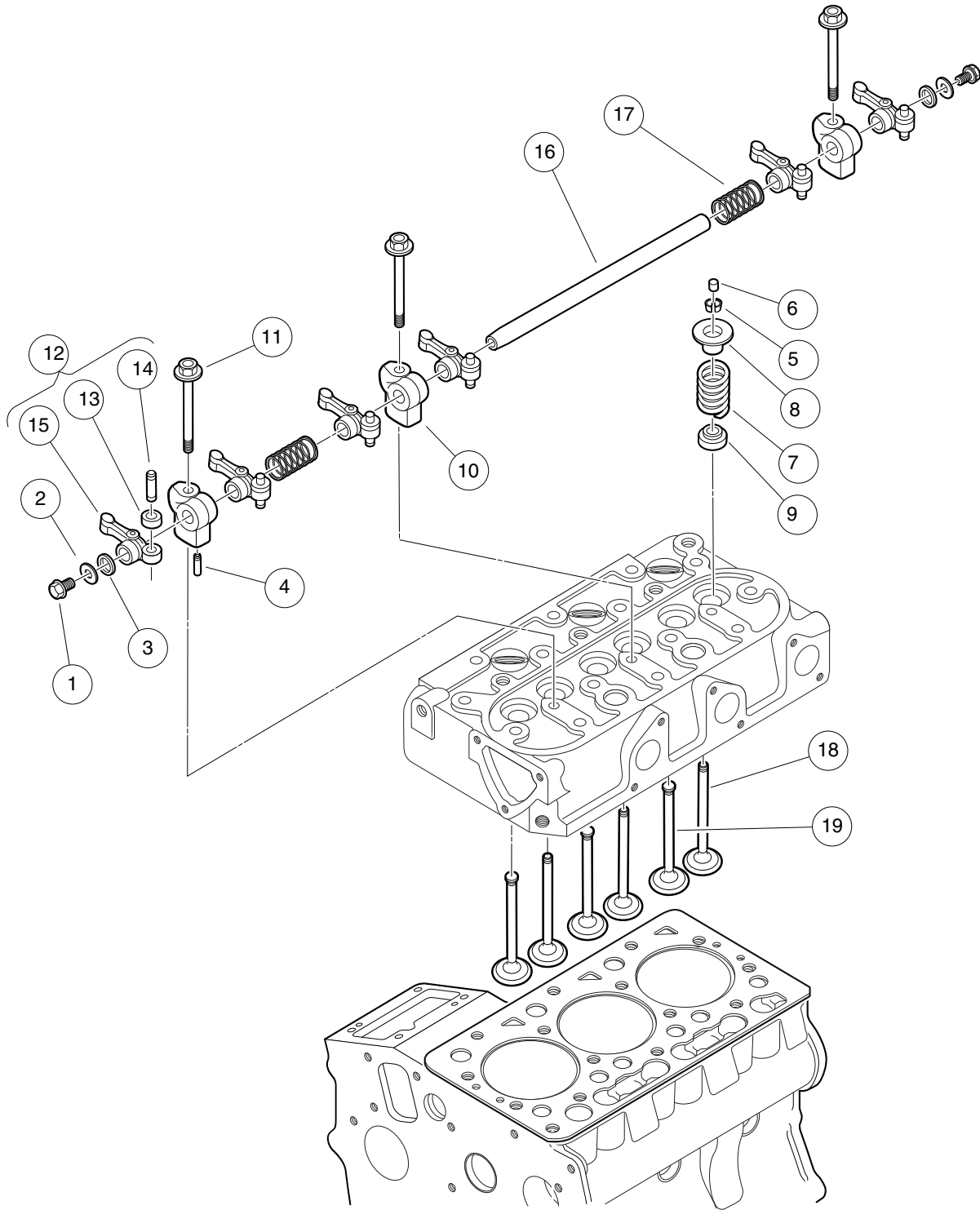
000058-003

STARTER – SEALED (D722 – E4B)

ITEM	PART NO.	DESCRIPTION	QTY
		1 2 3 4	
1	1013746	Clamp, 0.301 ID Hose	2
2	101587703	Hose, Fuel, Vent, 22" Long	1
3	101824401	Vent Barb	1
4	102647701	Nut, M8, Plate	3
5	102730401	Bolt, Alt, D722, Adjuster	2
6	105208001	Washer, Sprng, Strtr, D722	3
7	105226001	Assy, Sealed Starter, D722	1

12

D



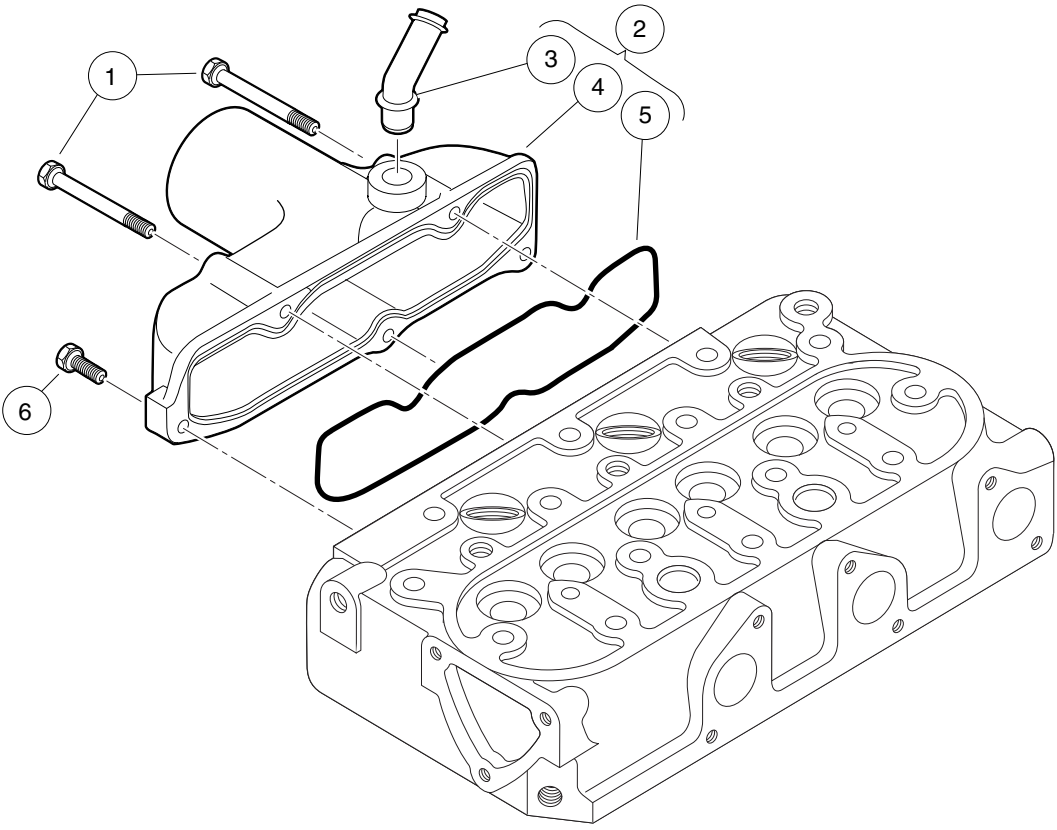
000062-003

VALVES AND ROCKER ARMS (D722 – E4B)

ITEM	PART NO.	DESCRIPTION	QTY
		1 2 3 4	
1	102646401	Bolt, M6 X 1 X 8	2
2	102651301	Washer, D722, Plain, Rocker	2
3	102651601	Washer, Rocker Arm	2
4	102651801	Pin, Spring, D722, Rocker	1
5	102652901	Collet, Valve Spring, Set	6
6	102653001	Cap, Valve, D722	6
7	102653101	Spring, Valve	6
8	102653201	Retainer, Spring	6
9	102653301	Seal, Valve Stem	6
10	102801101	Bracket, Rocker Arm, D722 Closed-Breather	3
11	102801201	Bolt, Rocker Arm	3
12	105208701	Assy, Rocker Arm, D722 (includes items 13 through 15)	6
13	102651501	Nut, M6	6
14	102651701	Screw-Adjusting	6
15	N/A	Arm, Rocker	6
16	105226101	Shaft, Rocker Arm, D722	1
17	105226201	Spring, Rocker Arm, D722	2
18	105226301	Valve, Exhaust, D722	3
19	105226401	Valve, Intake, D722	3

12

D



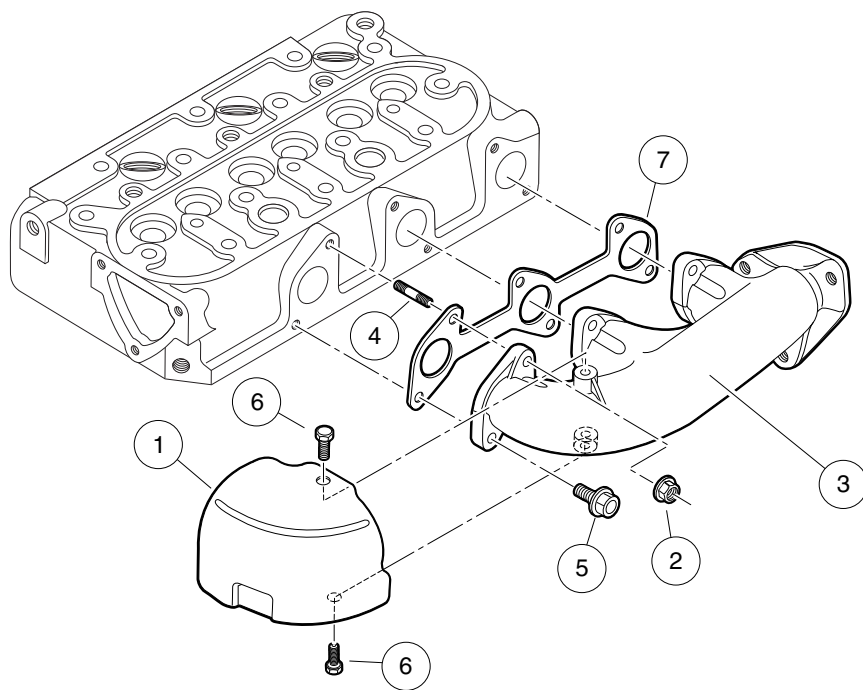
000063-003

INTAKE MANIFOLD (D722 – E4B)

ITEM	PART NO.	DESCRIPTION	QTY
		1 2 3 4	
1	102646101	Bolt, M6 X 1 X 45	3
2	102801301	Assembly, Intake Manifold (includes items 3 through 5)	1
3	102801401	Pipe, Breather	1
4	102801501	Manifold, Intake	1
5	105226501	Gasket, Intake Manifold, D722	1
6	105206601	Bolt, Intake Manfld, D722	2

12

D



000064-002

EXHAUST MANIFOLD (D722 – E4B)

ITEM	PART NO.	DESCRIPTION	QTY
		1 2 3 4	
1	102646301	Cover, Heat Proof	1
2	102647101	Nut, Flange, M6, Ubs	3
3	102731501	Manifold, Exhaust, D722	1
4	105208801	Stud, M6 X 26, D722	3
5	105208901	Bolt, Exhst Manfld, D722	3
6	105209001	Bolt, Exhst Manfld Cvr, D722	2
7	105226601	Gasket, Exhaust Manifold, D722	1

12

D

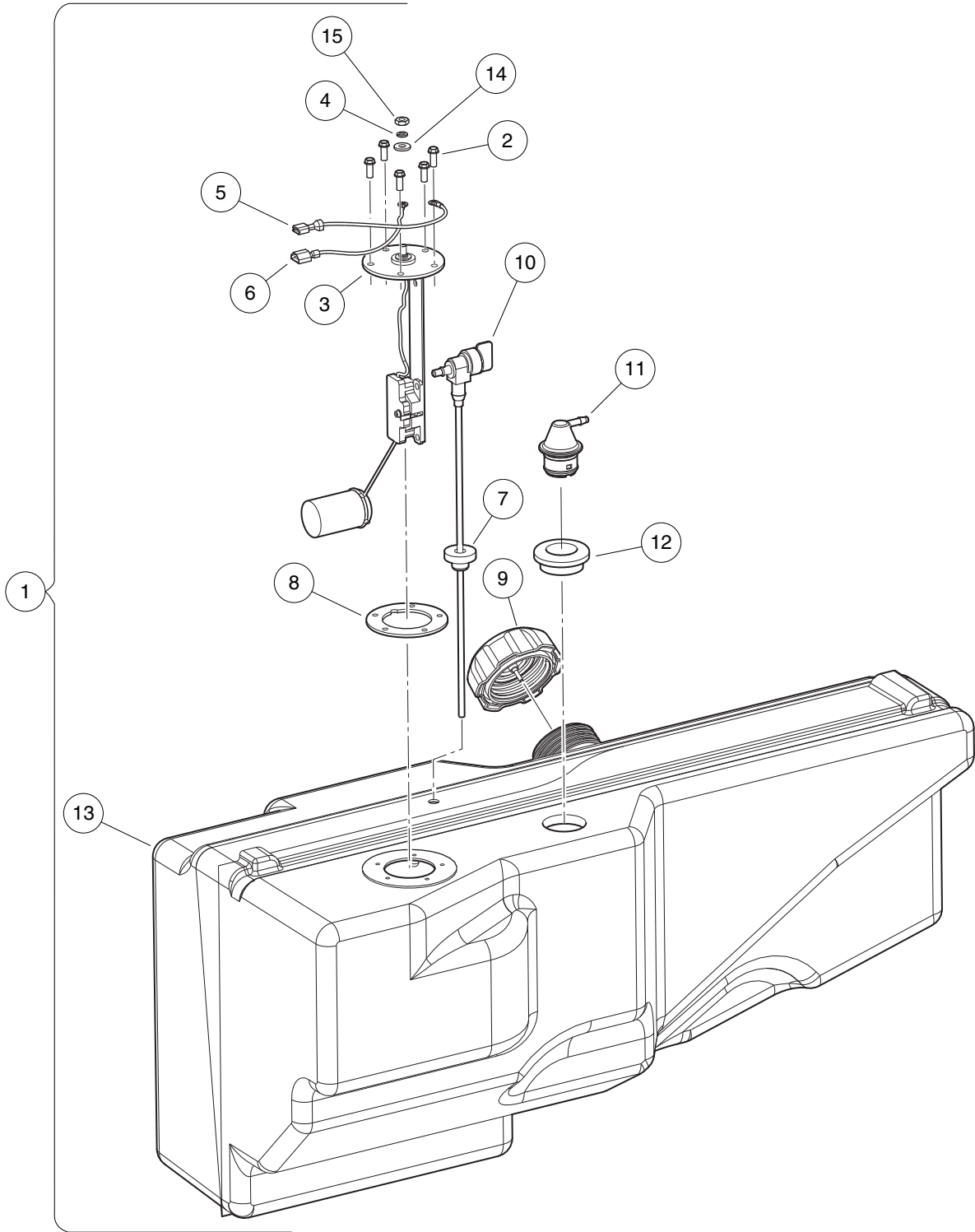
12

D

FUEL, INTAKE, ACCELERATOR & GOVERNOR SYSTEMS – KAWASAKI

13

G



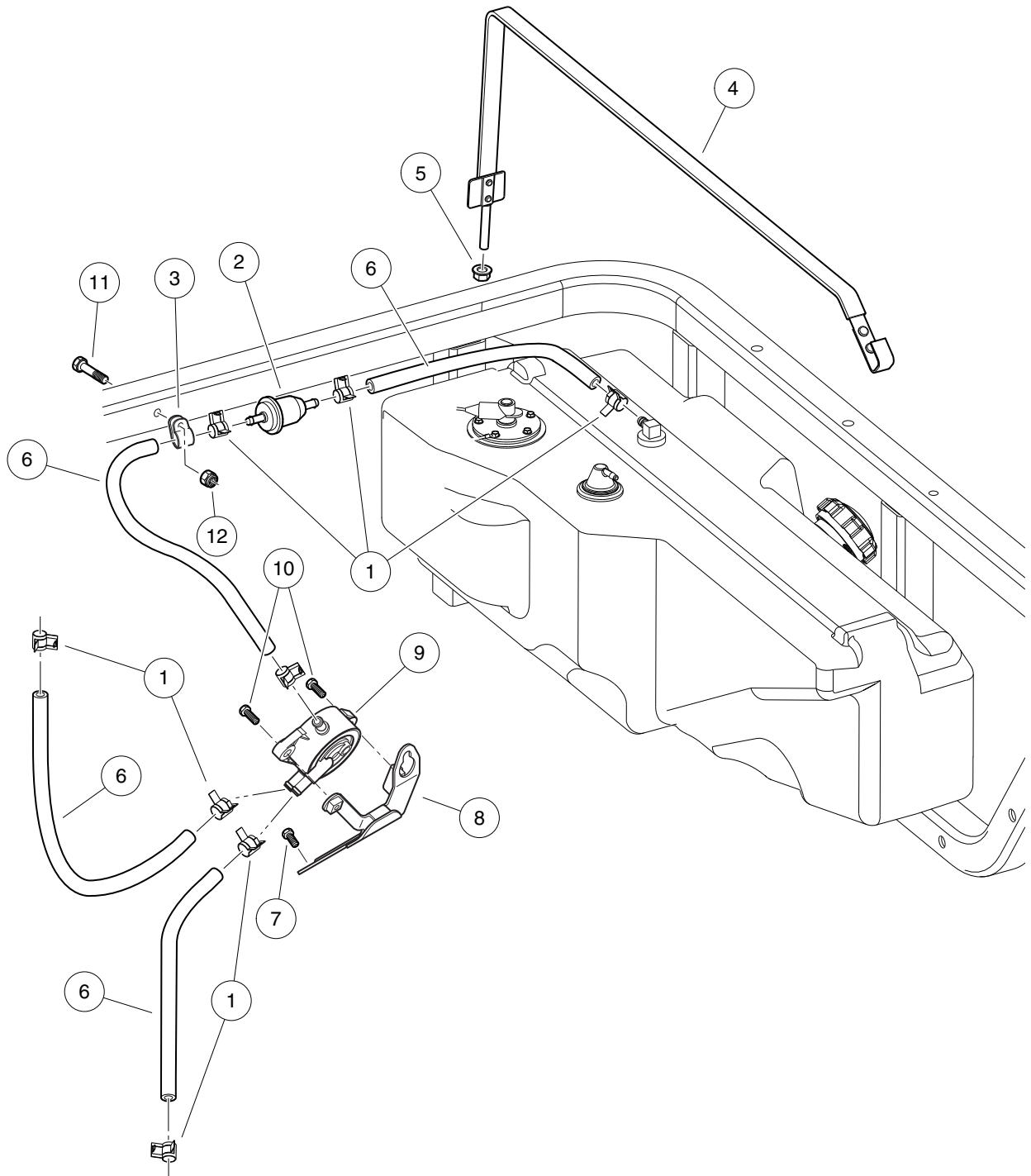
000082-008

FUEL TANK – GASOLINE VEHICLE

ITEM	PART NO.	DESCRIPTION	QTY
		1 2 3 4	
1	103963701	Asm, Tank Fuel, Gas 4x4 Nano (includes items 2 through 15)	1
2	1013461	Screw, #10-16 Hex-Head Hi-Lo	5
3	1013462	Sending Unit, Fuel Level *	1
4	1016	Lockwasher, #10 Split	1
5	N/A	Wire Asm, Blk, 170mm	1
6	N/A	Wire Asm, Org, 170mm	1
7	102406701	Bushing, Line, Return	1
8	102522001	Gasket, Rubber	1
9	103372101	Cap, Fuel Tank, Gas, Ratchet	1
10	103372302	Valve, Fuel, 288mm	1
11	103905201	Assembly, Vent, Fuel, 1/4 Inch O.D.	1
12	103944301	Grommet, Fuel Tank, Vent	1
13	N/A	Tank, Fuel, Gas, 4x4 Nano	1
14	183	Washer, #10, Type A, Flat	1
15	8797	Nut, #10-32 Brass Hex	1
		* Note: Must replace fuel sending unit gasket when servicing this component.	

13

G

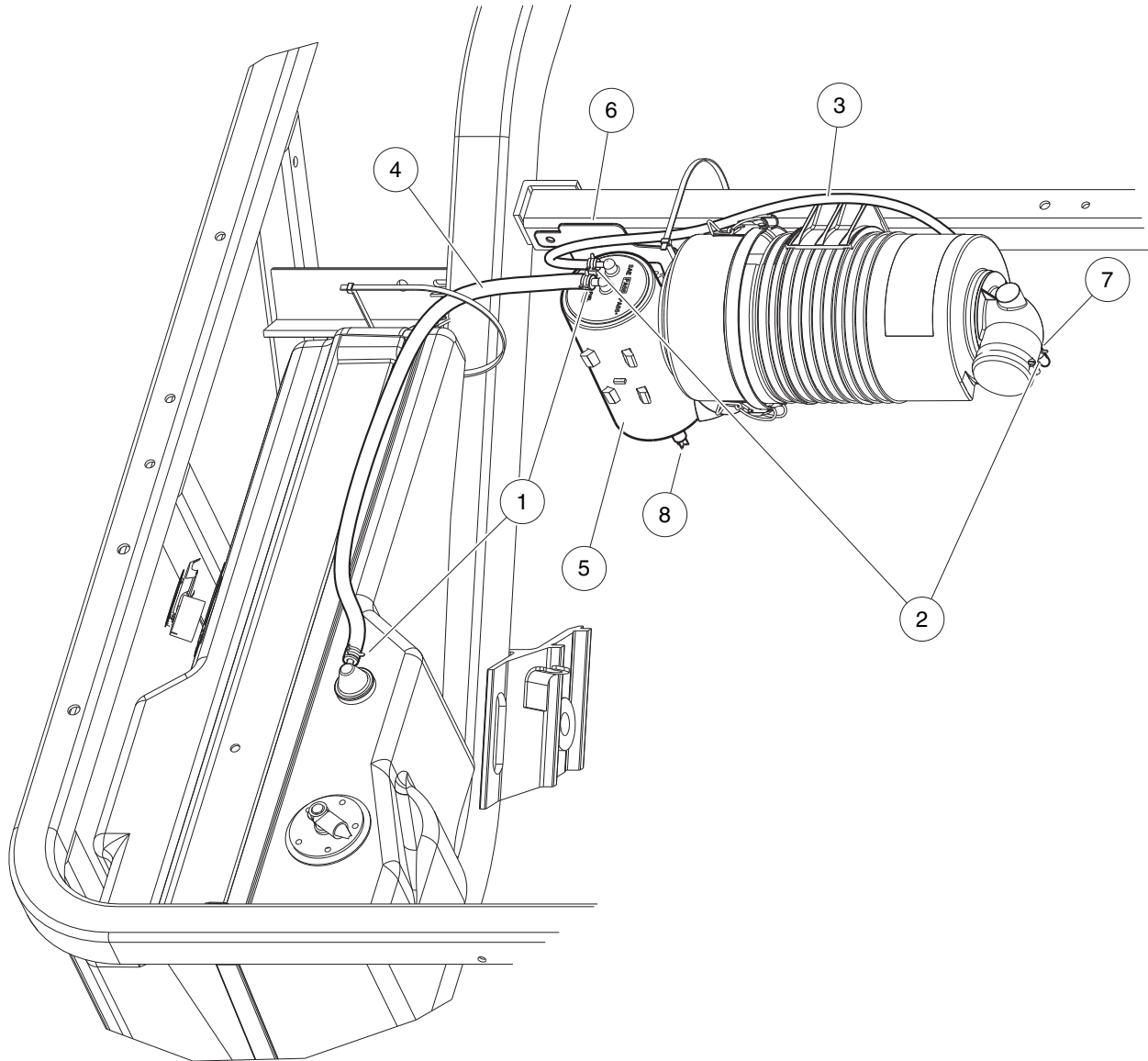


000672-003

FUEL PUMP, FILTER AND HOSE – KAWASAKI FH680

ITEM	PART NO.	DESCRIPTION	QTY
		1 2 3 4	
1	1012649	Clamp, 0.460 Red Hose	4
2	102003201	Filter, Fuel, 30 Micron	1
3	102410604	P-clamp, Insulated, 0.625 Inch	1
4	102426301	Strap, Tank, Fuel	1
5	102618601	Lock Nut, Flange, M8 X 1.25 Nylon	1
6	102865101	Fuel Line, 1/4 (available by the foot)	A/R
7	102992501	Bolt, Flg, M6 X 1.0 X 16	1
8	103009901	Bracket, Fuel Pump, Fh	1
9	103010101	Pump, Fuel, Impulse, Fh	1
10	103298501	Bolt, Flanged, M6 X 20, Kaw	2
11	324	Screw, 1/4-20 X 2.50 Hx Hd Cap	1
12	8233	Locknut, 1/4-20, Nylon Insert	1

13
G



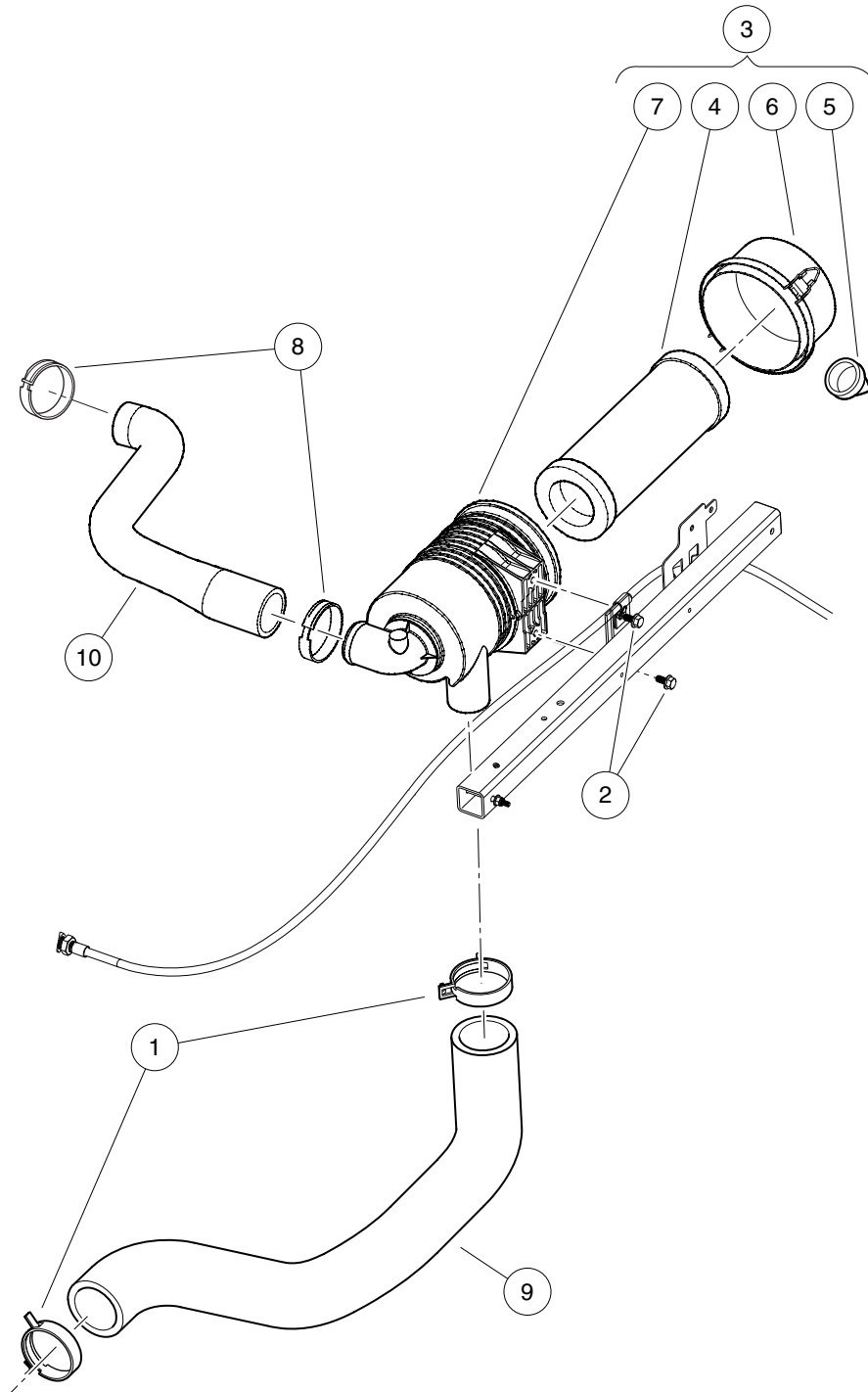
000972-001

CARBON CANISTER – GASOLINE VEHICLE

ITEM	PART NO.	DESCRIPTION	QTY
		1 2 3 4	
1	1012649	Clamp, 0.460 Red Hose	2
2	101313402	Clamp, Green Hose	2
3	1015137	Fuel Line, 3/16 (available by the foot)	3
4	102865101	Fuel Line, 1/4 (available by the foot)	2
5	103372401	Canister, Carbon	1
6	103452001	Brkt, Mtg, Carbon Canister	1
7	103701301	Adapter, 1/8 Npt X 3/16 Barb	1
8	103756401	Asm, Vent Line, Carbon Canister (includes items 9 and 10)	1
9	N/A	Hose, Vent, 5/16 I.D., Bulk	A/R
10	N/A	Vent, Barb, 5/16 I.D. Hose	1

13

G



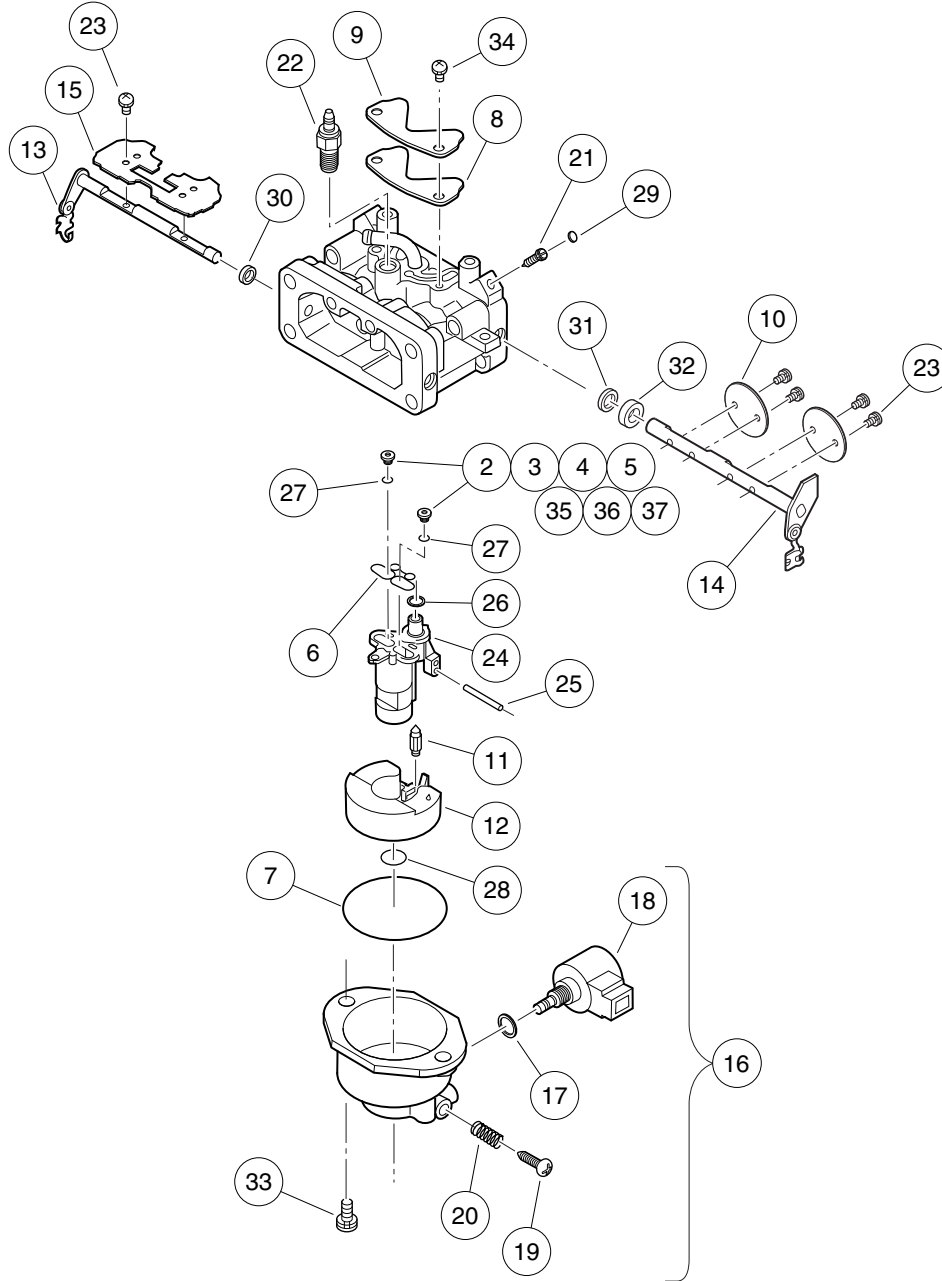
000090-006

INTAKE HOSES AND AIR FILTER – KAWASAKI FH680

ITEM	PART NO.	DESCRIPTION	QTY
		1 2 3 4	
1	102411210	Clamp, Hose, Ctb 64mm	2
2	102621201	Bolt, Flanged Head, M8 X1.25x 16, with Loctite	2
3	102810701	Filter, Air, Canister, with Label (includes items 4 through 7)	1
4	102498601	Element, Filter, Air, 5 Inch	1
5	102725501	Valve, Evacuator, Filter Air	1
6	102725601	Cap, Latch Lock, Filter, Air	1
7	N/A	Body, Canister, Filter, Air	1
8	103441401	Clamp, Worm Screw, Hose, 2"	2
9	103848401	Hose, Intake, Air	1
10	103924701	Hose, Air Intake, Awd, Gas	1

13

G



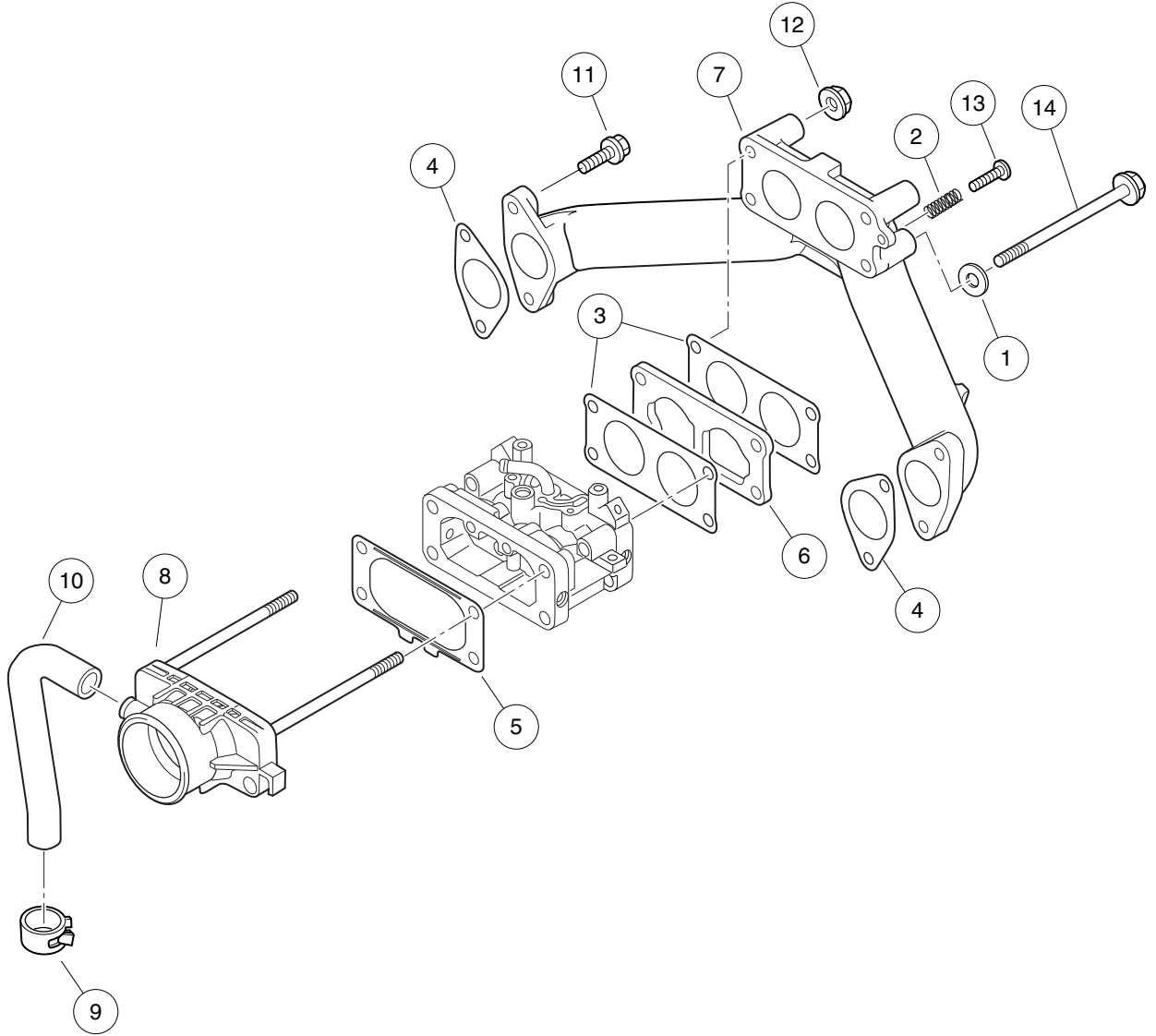
000673-004

CARBURETOR – KAWASAKI FH680

ITEM	PART NO.	DESCRIPTION	QTY
		1 2 3 4	
1	103596801	Asm, Carburetor, FH680D (includes items 2 through 35)	1
2	103307201	Kit, Jet, 6600 Ft +, Fh680d (includes item 3)	1
3	103306801	Jet, Push In #96, FH680D (6600 ft and higher (2000 m and higher))	2
4	103307301	Kit, Jet, 3300-6600 Ft, Fh680d (includes item 5)	1
5	103306901	Jet, Push In #99, FH680D (3300-6600 ft (1000-2000 m))	2
6	103340601	Gasket, Fh680d	1
7	103340701	Gasket, Carburetor, Dia. 52	1
8	103340801	Gasket, Cover, Fh680d	1
9	103340901	Cover, Slow Passage, Fh680d	1
10	103341101	Valve, Throttle, Fh680d	2
11	103341201	Valve, Float, Fh680d	1
12	103341301	Float, Carburetor, Fh680d	1
13	103341401	Shaft, Carburetor, Fh680d	1
14	103341501	Shaft, Carburetor, Throttle	1
15	103341601	Valve, Carburetor, Fh680d	1
16	103341701	Asm, Chamber, Float, Fh680d (includes items 17 through 20)	1
17	103340501	Gasket, Carburetor, Fh680d	1
18	103341901	Solenoid, Carburetor, Fh680d	1
19	103342201	Screw, Drain, Carburetor	1
20	103343601	Spring, Carburetor, Fh680d	1
21	103341801	Needle, Jet, Fh680d	2
22	103342001	Heater, Carburetor, Fh680d	1
23	103342101	Screw, Carburetor, M3 X 6	6
24	103342301	Spacer, Carburetor, Fh680d	1
25	N/A	Pin, Carburetor, Fh680d	1
26	103342501	O-ring, Carburetor, Dia. 6.5	1
27	103342601	O-ring, Carburetor, Fh680d	2
28	103342701	O-ring, Carburetor, Dia. 9	1
29	103343301	Plug, Expansion, Carburetor	2
30	103343401	Seal, Carburetor, Dia. 5.9	1
31	103343501	Seal, Carburetor, Fh680d	1
32	103343701	Collar, Carburetor, Fh680d	1
33	103343801	Screw, Carburetor, M5	2
34	103343901	Screw, Carburetor, M4	2
35	103596701	Kit, Jet, 0-3300 ft. FH680D (includes items 36 and 37)	1
36	103307001	Jet, Push In #102, FH680D (0-3300 ft (0-1000 m))	1
37	103596601	Jet, Push In, #104 FH680D (0-3000 ft (0-1000m))	1

13

G

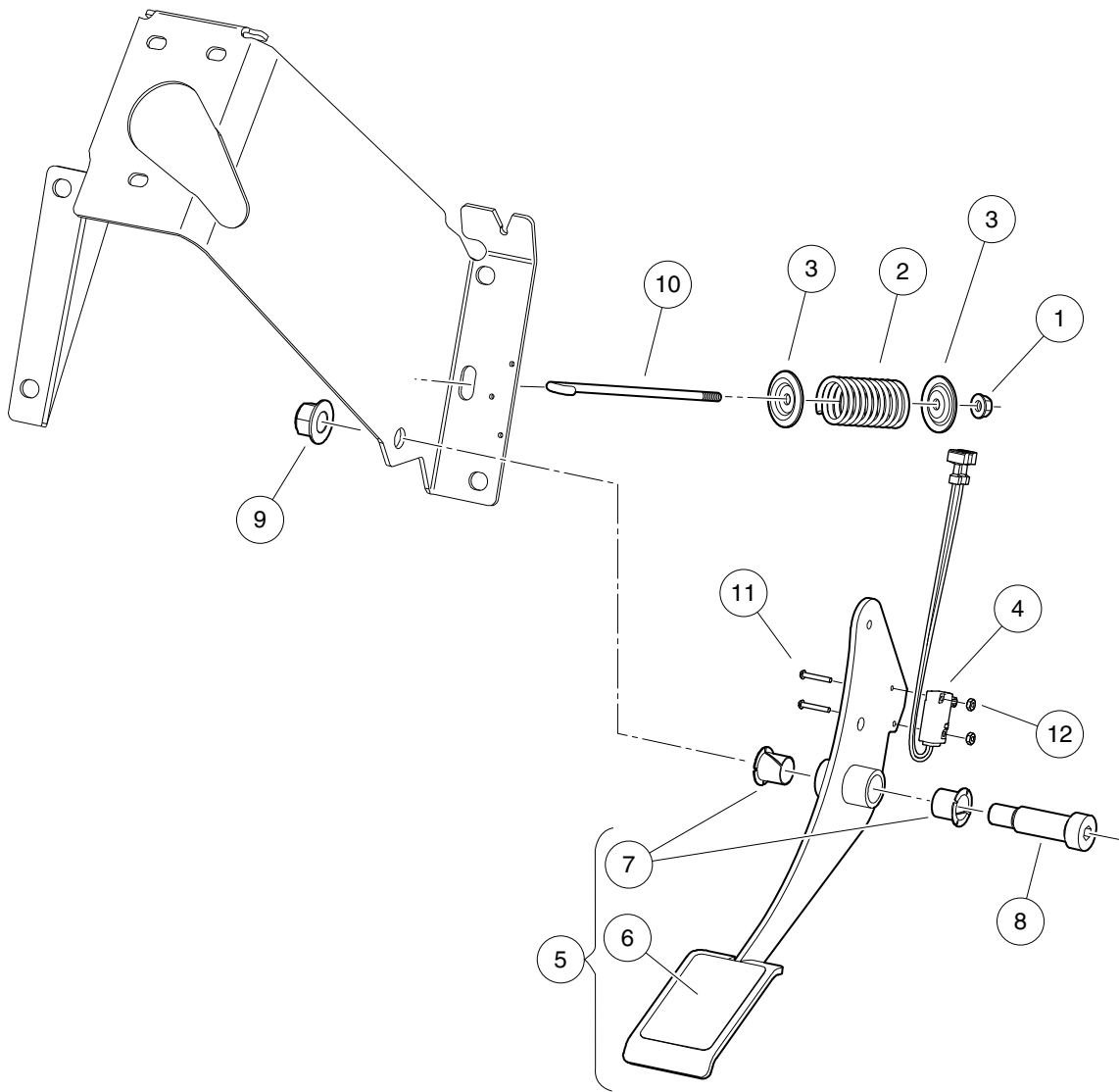


000673-002

INTAKE MANIFOLD AND CARBURETOR MOUNTING – KAWASAKI FH680

ITEM	PART NO.	DESCRIPTION	QTY
		1 2 3 4	
1	1016513	Washer, M6 Flat	2
2	103002801	Spring, Fh	1
3	103003801	Gasket, Carburetor, Fh	2
4	103003901	Gasket, Manifold, Fh	2
5	103004201	Gasket, Air Filter, Fh	1
6	103005001	Insulator, Manifold, Fh	1
7	103005601	Manifold, Intake, Fh	1
8	103297101	Pipe, Intake Adapter, Fh	1
9	103297201	Clamp, Crankcase Vent, Fh	1
10	103297301	Tube, Crankcase Vent, Fh	1
11	103298501	Bolt, Flanged, M6 X 20, Kaw	4
12	103320201	Nut, Carburetor, M6	2
13	103320301	Screw, Carburetor, M4 X 20	1
14	103320401	Bolt, Flg, Carburetor, M6x105	2

13
G



000026-003

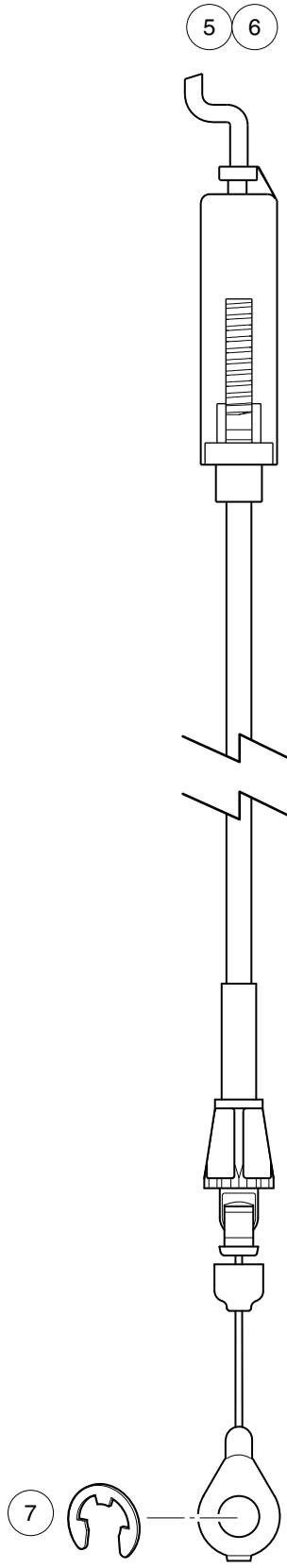
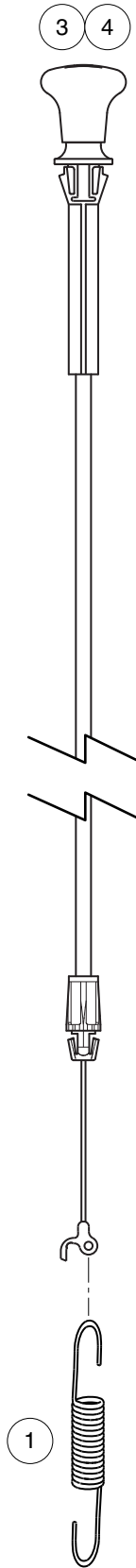
ACCELERATOR PEDAL

ITEM	PART NO.	DESCRIPTION	QTY
		1 2 3 4	
1	102296401	Nut, M6x1.0, Flange, Metal Lock	1
2	102445201	Spring, Comp, Pedal, Pullrod	1
3	102461401	Washer, Retaining Spring, 7mm	2
4	103327201	Asm, Switch, Limit, Awd	1
5	103478901	Asm, Pedal, Accelerator (includes items 6 and 7)	1
6	102479301	Pad, Grip Tape, Accelerator	1
7	103479101	Bushing, Nyliner, 5/8"	2
8	103479201	Bolt, Shoulder, 5/8 X 1 1/2	1
9	103479301	Nut Hex Flg 1/2-13 Nylock Gr G	1
10	103883201	Rod, Accelerator Return, J	1
11	8056	Screw, #4-40 X 0.75 Round-Head Machine	2
12	8057	Nut, #4-40 Hex Machine	2
		Note: Items 4 (switch), 11 (screw) and 12 (nut) are not used in two-wheel drive vehicle.	

13

G

13
G



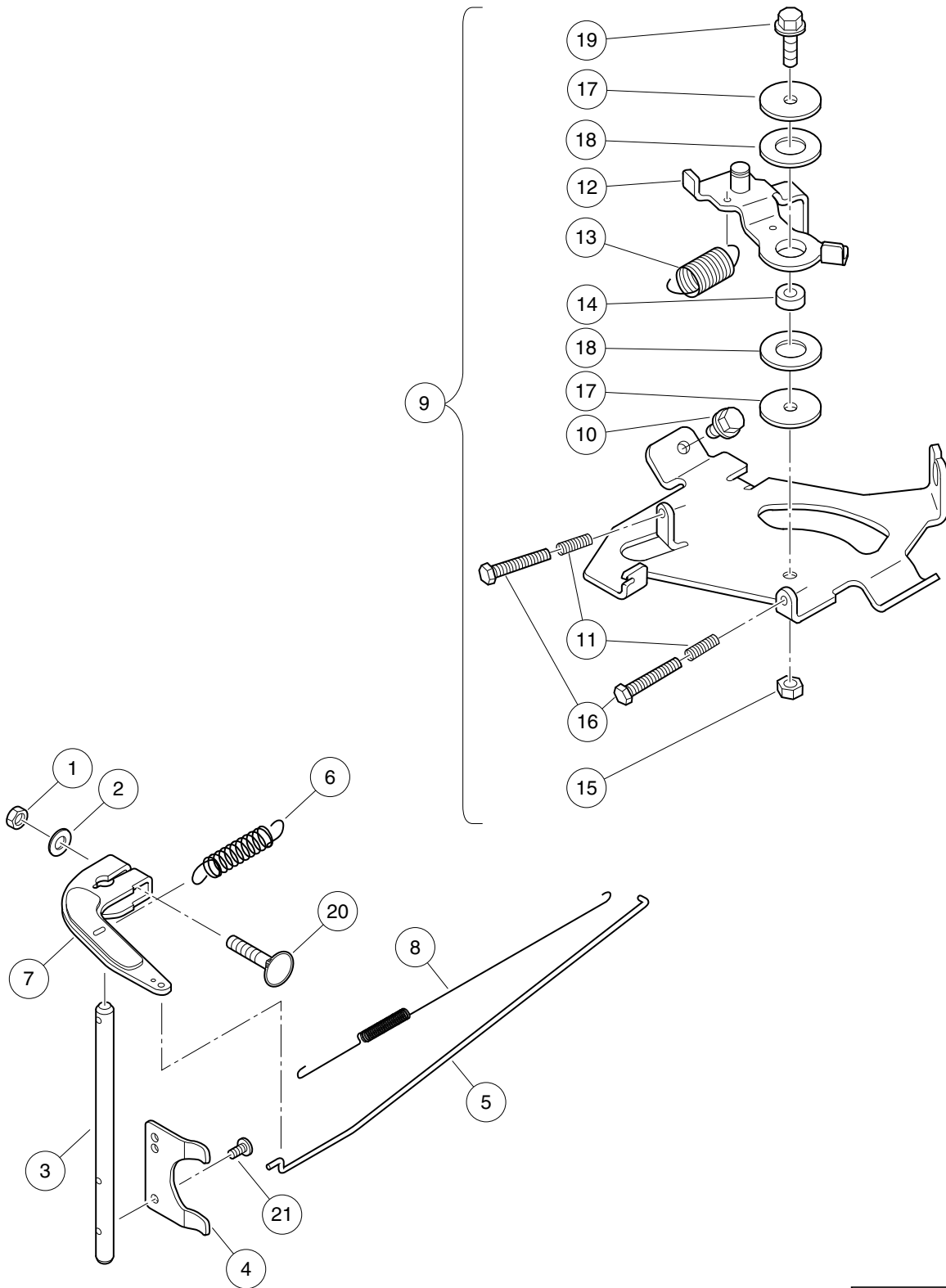
000536-011

ACCELERATOR AND CHOKE CABLES – KAWASAKI FH680

ITEM	PART NO.	DESCRIPTION	QTY
		1 2 3 4	
1	102457001	Spring	1
2	102475701	Clip, Brake Line	4
3	103277401	Cable, Choke, AWD, FH680D, 295/1550	1
4	103293401	Cable, Choke, AWD, FH680D, 295 SE/1550 SE	1
5	103921801	Cable, Accelerator, AWD, Gas, SE	1
6	103922001	Cable, Accelerator, AWD, Gas	1
7	96950126	Ring, Retaining	1

13

G



000636-001

GOVERNOR ARM AND SPRINGS

ITEM	PART NO.	DESCRIPTION	QTY
		1 2 3 4	
1	N/A	Nut, M6	1
2	1016513	Washer, M6 Flat	1
3	103002001	Shaft, Governor, Fh	1
4	103002101	Plate, Governor, Fh	1
5	103002301	Link, Arm, Governor, Fh	1
6	103002401	Spring, Governor, Fh	1
7	103002501	Arm, Governor, Shaft	1
8	103002901	Spring, Arm, Governor, Fh	1
9	103297701	Panel, Control, Complete, Fh (includes items 10 through 19)	1
10	102992401	Bolt, Flg, M6 X 1.0 X 12	2
11	103002801	Spring, Fh	2
12	103297401	Lever, Governor, Control, Fh	1
13	103297501	Spring, Governor Return, Fh	1
14	103297601	Collar, Governor, Fh	1
15	103297801	Nut, Governor, Fh	1
16	103298001	Bolt, Speed Control, Fh	2
17	103298201	Washer, Governor, Lower, Fh	2
18	103298301	Washer, Governor, Middle, Fh	2
19	103298501	Bolt, Flanged, M6 X 20, Kaw	1
20	103298101	Bolt, M6 X 35, Kawasaki	1
21	103298601	Screw, Pan, Governor, Fh	2

13

G

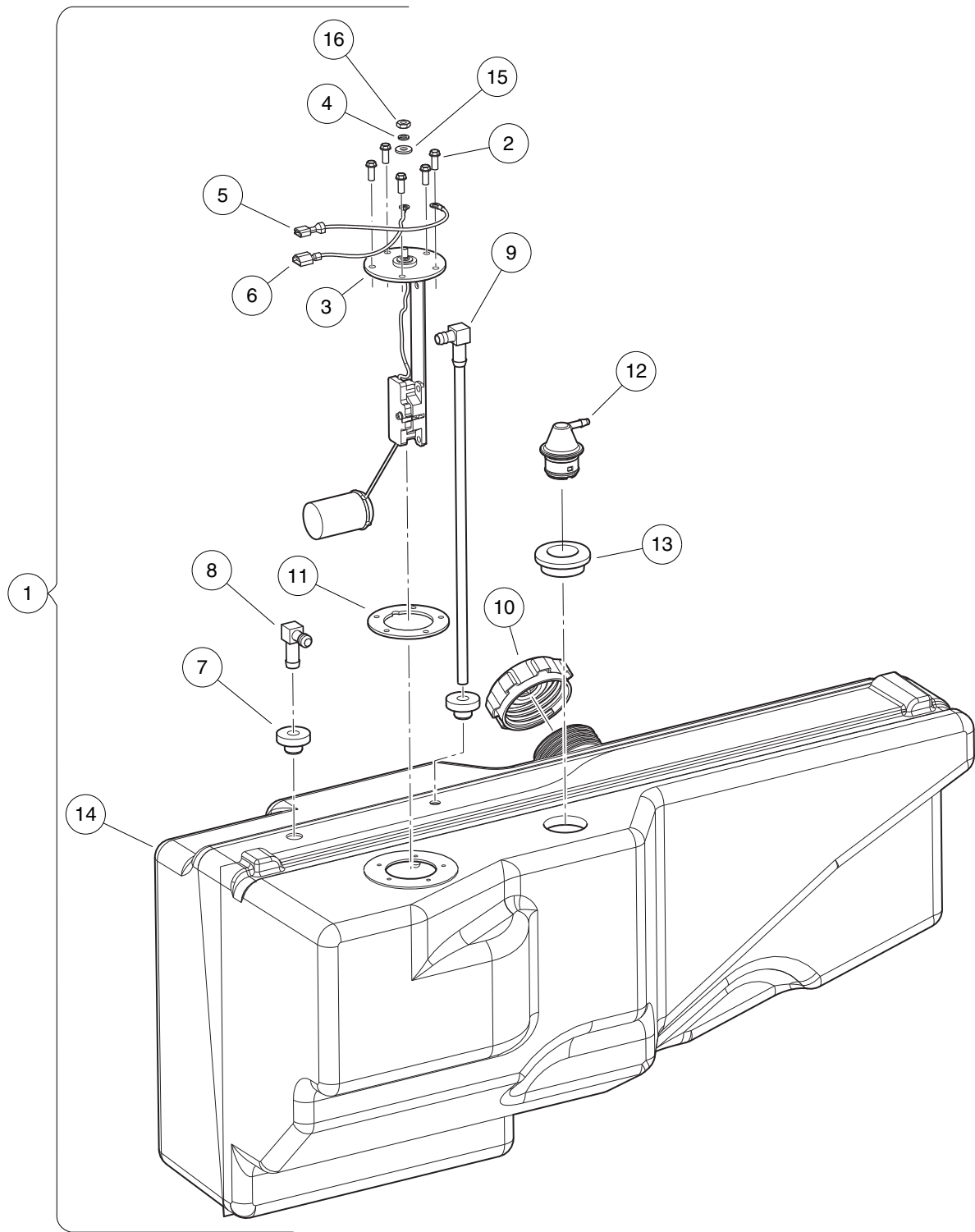
13

G

FUEL, INTAKE & ACCELERATOR SYSTEMS – KUBOTA DIESEL ENGINE

14

D



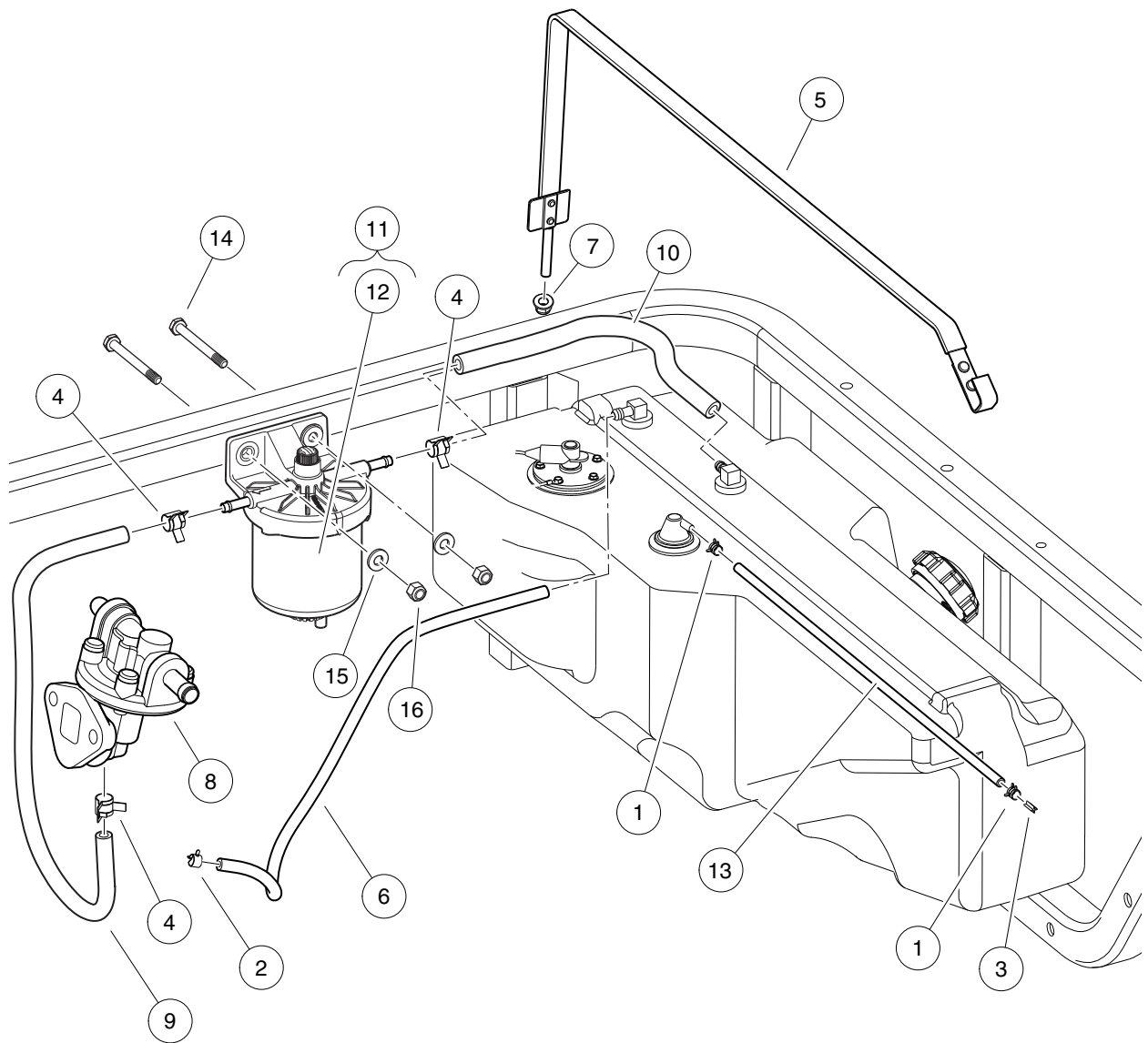
000082-011

FUEL TANK – DIESEL VEHICLE

ITEM	PART NO.	DESCRIPTION	QTY
		1 2 3 4	
1	103963501	Asm, Tank Fuel, Diesel, 4x4 (includes items 2 through 16)	1
2	1013461	Screw, #10-16 Hex-Head Hi-Lo	5
3	1013462	Sending Unit, Fuel Level *	1
4	1016	Lockwasher, #10 Split	1
5	N/A	Wire Asm, Blk, 170mm	1
6	N/A	Wire Asm, Org, 170mm	1
7	102406701	Bushing, Line, Return	2
8	102406801	Elbow, 90 Degree, Barbed	1
9	102478501	Pickup Tube, Fuel	1
10	102494701	Cap, Fuel (Diesel)	1
11	102522001	Gasket, Rubber	1
12	103905201	Assembly, Vent, Fuel, 1/4 Inch O.D.	1
13	103944301	Grommet, Fuel Tank, Vent	1
14	103950101	Tank, Fuel, Dsl, 4x4	1
15	183	Washer, #10, Type A, Flat	1
16	8797	Nut, #10-32 Brass Hex	1
		* Note: Must replace fuel sending unit gasket when servicing this component.	

14

D



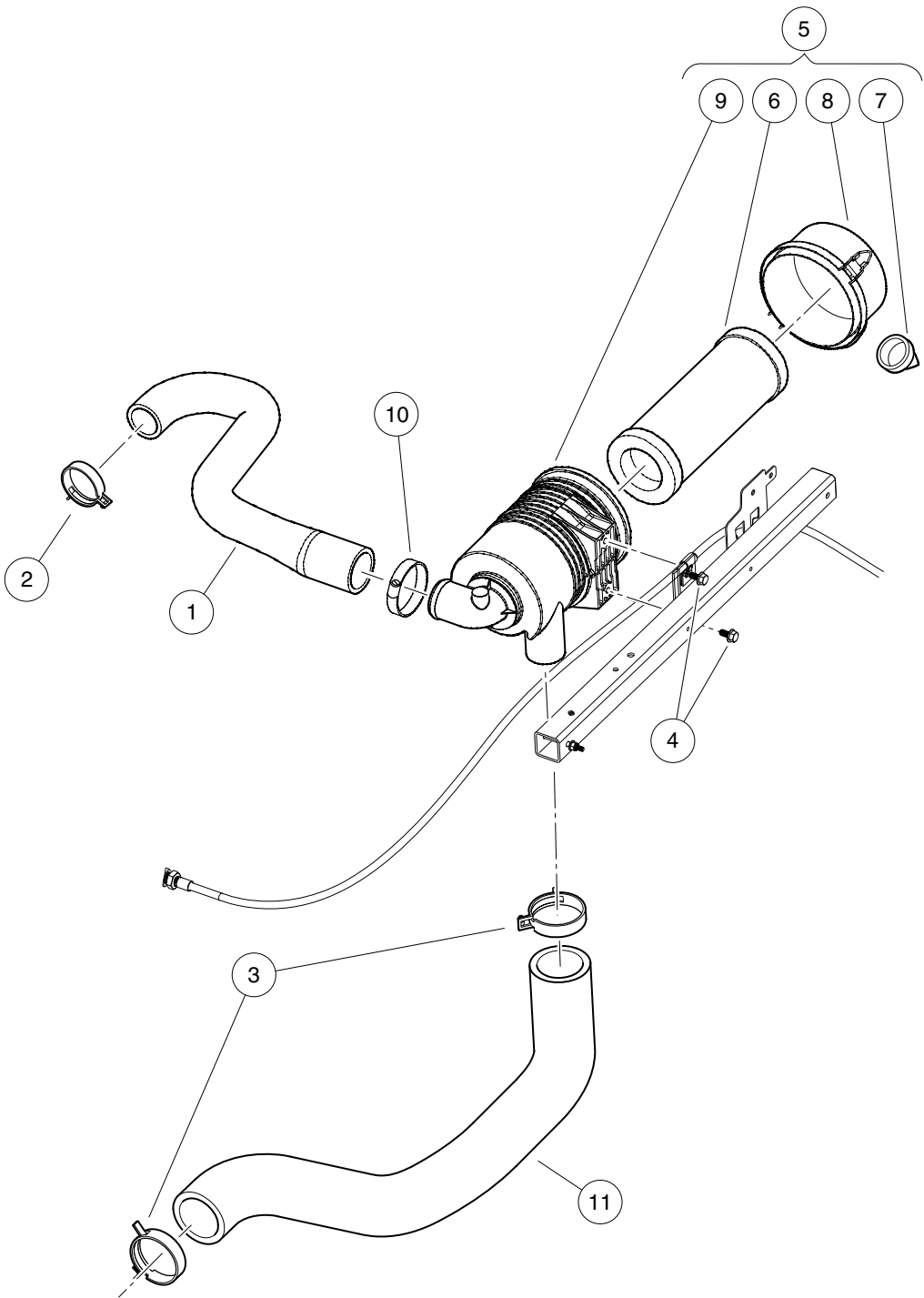
000081-008

FUEL PUMP, FILTER AND HOSE – DIESEL

ITEM	PART NO.	DESCRIPTION	QTY
		1 2 3 4	
1	1012649	Clamp, 0.460 Red Hose	2
2	101313402	Clamp, Green Hose	1
3	101824401	Vent Barb	1
4	102411203	Clamp, Hose, Ctb 14mm Dia.	3
5	102426301	Strap, Tank, Fuel	1
6	102430401	Hose, Fuel Return	1
7	102618601	Lock Nut, Flange, M8 X 1.25 Nylon	1
8	103591301	Pump, Diesel Fuel, Mechanical	1
9	103593201	Hose, Awd Water Sep To Mech Fp	1
10	103593301	Hose, Awd Water Sep To Tank	1
11	103747301	Assembly, Filter/Bracket, Fuel, Diesel (includes item 12)	1
12	103761801	Filter, Fuel, Diesel	1
13	103896603	Hose, Vent, 1/4 Id, 22 In	1
14	324	Screw, 1/4-20 X 2.50 Hx Hd Cap	2
15	332	Washer, 1/4 Type A Narrow Flat	2
16	8233	Locknut, 1/4-20, Nylon Insert	2

14

D



000090-010

INTAKE HOSES AND AIR FILTER – DIESEL VEHICLE

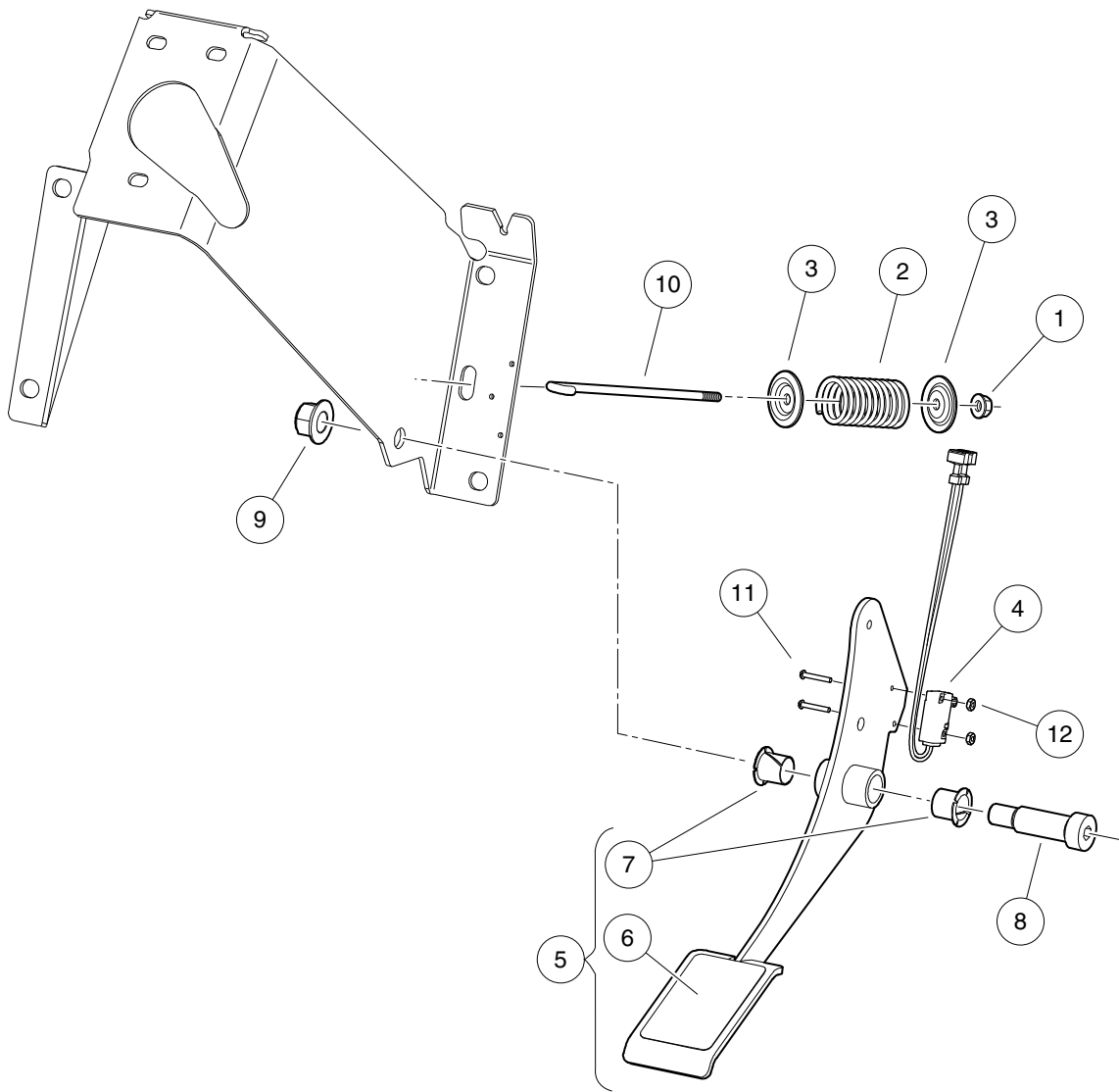
ITEM	PART NO.	DESCRIPTION	QTY
		1 2 3 4	
1	102379001	Hose, Intake, Kubota, Diesel, Engine	1
2	102411209	Clamp, Hose, Ctb 55mm Dia.	1
3	102411210	Clamp, Hose, Ctb 64mm	2
4	102621201	Bolt, Flanged Head, M8 X1.25x 16, with Loctite	2
5	102810701	Filter, Air, Canister, with Label (includes items 6 through 9)	1
6	102498601	Element, Filter, Air, 5 Inch	1
7	102725501	Valve, Evacuator, Filter Air	1
8	102725601	Cap, Latch Lock, Filter, Air	1
9	N/A	Body, Canister, Filter, Air	1
10	103441401	Clamp, Worm Screw, Hose, 2"	1
11	103848401	Hose, Intake, Air	1

14

D

14

D



000026-003

ACCELERATOR PEDAL

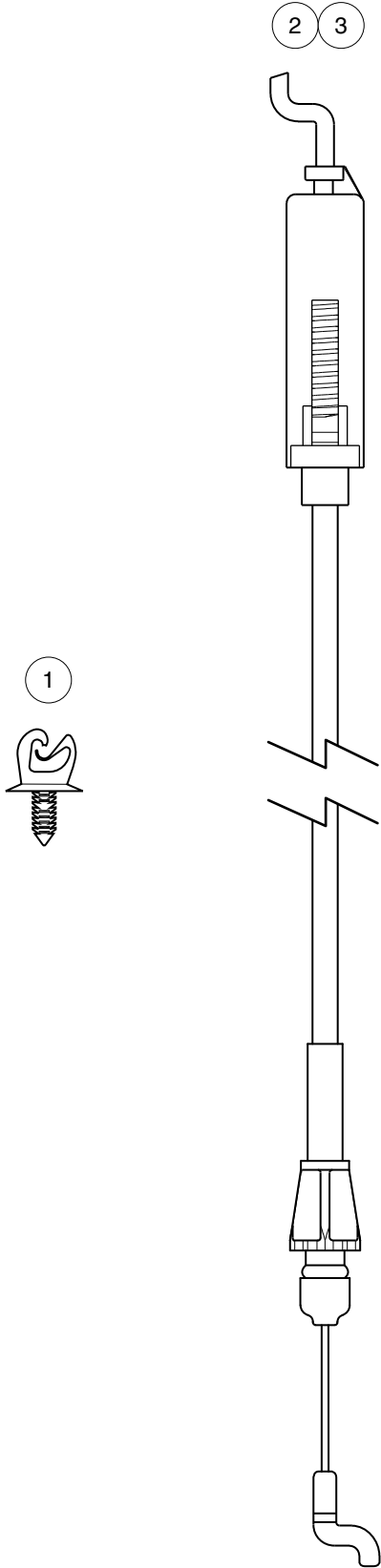
ITEM	PART NO.	DESCRIPTION	QTY
		1 2 3 4	
1	102296401	Nut, M6x1.0, Flange, Metal Lock	1
2	102445201	Spring, Comp, Pedal, Pullrod	1
3	102461401	Washer, Retaining Spring, 7mm	2
4	103327201	Asm, Switch, Limit, Awd	1
5	103478901	Asm, Pedal, Accelerator (includes items 6 and 7)	1
6	102479301	Pad, Grip Tape, Accelerator	1
7	103479101	Bushing, Nyliner, 5/8"	2
8	103479201	Bolt, Shoulder, 5/8 X 1 1/2	1
9	103479301	Nut Hex Flg 1/2-13 Nylock Gr G	1
10	103883201	Rod, Accelerator Return, J	1
11	8056	Screw, #4-40 X 0.75 Round-Head Machine	2
12	8057	Nut, #4-40 Hex Machine	2
		Note: Items 4 (switch), 11 (screw) and 12 (nut) are not used in two-wheel drive vehicle.	

14

D

14

D



000536-012

ACCELERATOR CABLE – DIESEL VEHICLE

ITEM	PART NO.	DESCRIPTION	QTY
		1 2 3 4	
1	102475701	Clip, Brake Line	3
2	103921701	Cable, Accelerator, AWD, Diesel, 295 SE/1550 SE	1
3	103921901	Cable, Accelerator, AWD, Diesel, 295/1550	1

14

D

14

D

EXHAUST SYSTEM – GAS & DIESEL

15

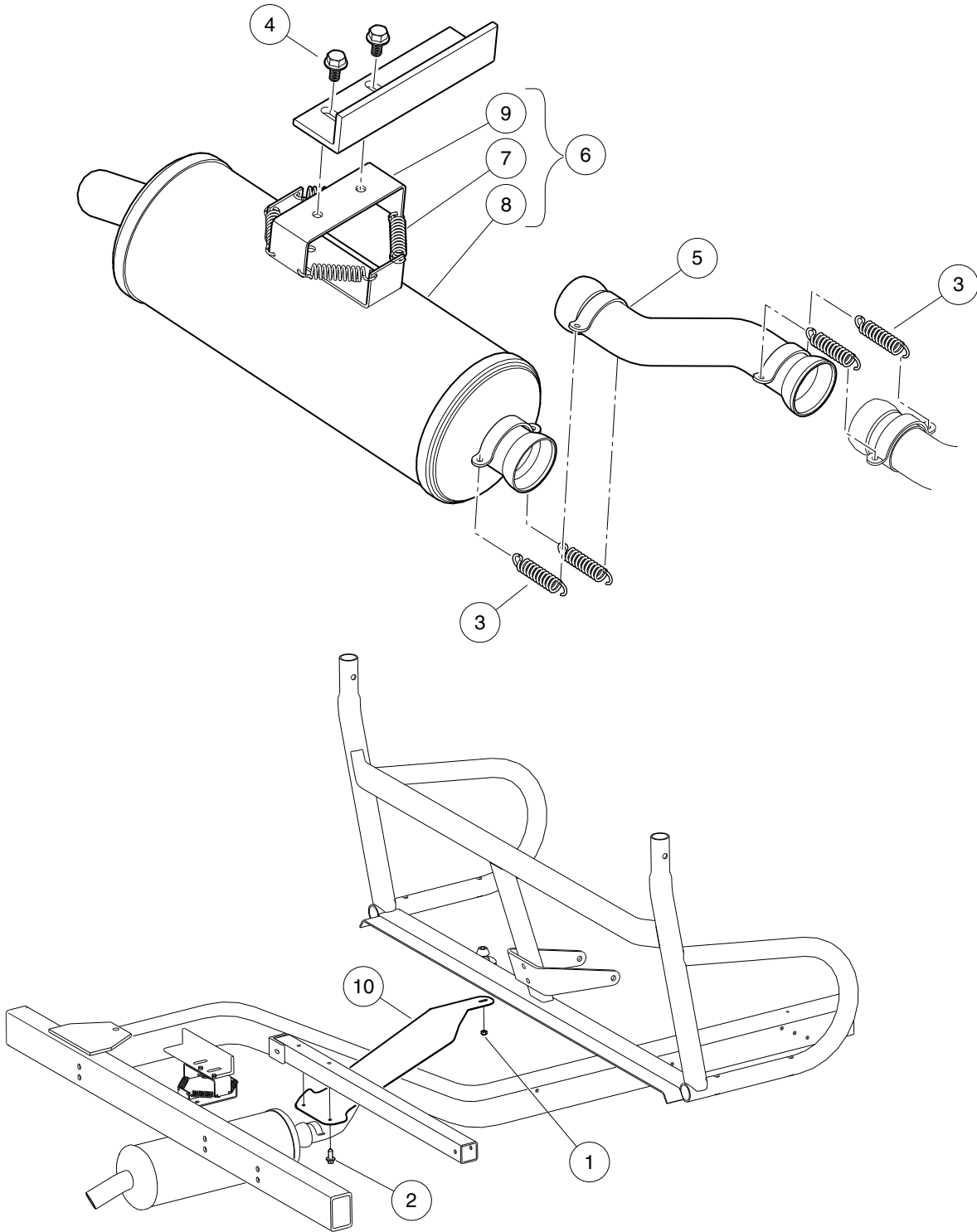
G

D

15

G

D



000538-005

EXHAUST PIPE AND MUFFLER

ITEM	PART NO.	DESCRIPTION	QTY
		1 2 3 4	
1	101887601	Locknut, M6-1.00 Nylon Insert	1
2	102298720	Screw, M8-1.25x20, Taptite	2
3	102409501	Spring, Exhaust	4
4	102621201	Bolt, Flanged Head, M8 X1.25x 16, with Loctite	2
5	102786201	Pipe, Exhaust, Int, Offset	1
6	102812801	Asm, Muffler, AWD Homologation (includes items 7 through 9)	1
7	102409501	Spring, Exhaust	4
8	N/A	Muffler	1
9	N/A	Bracket, Muffler	1
10	102930901	Shield, Exhaust, Clearance	1

15

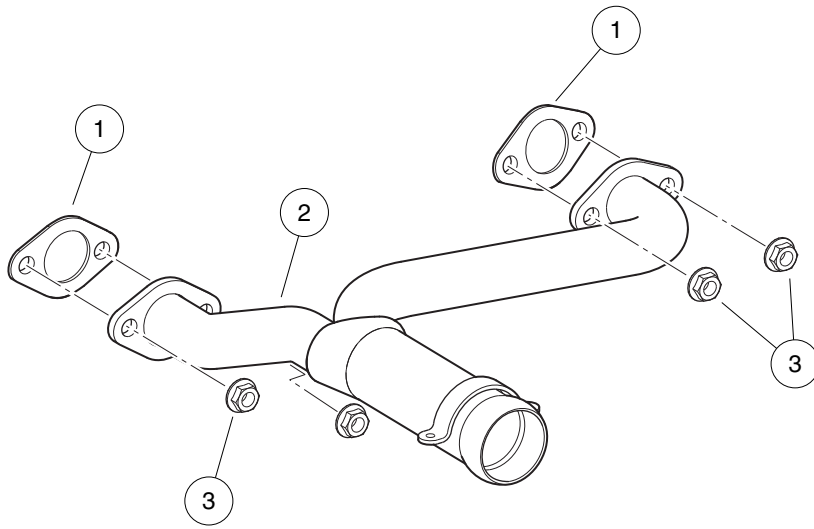
G

D

15

G

D



000538-004

EXHAUST HEADER – KAWASAKI FH680

ITEM	PART NO.	DESCRIPTION	QTY
		1 2 3 4	
1	102949301	Gasket, Exhaust Header, Fh680d	2
2	103268101	Header, Exhaust, Gas, Fh680d	1
3	96704416	Nut, Flange, M8 X 1.25 Serrated	4

15

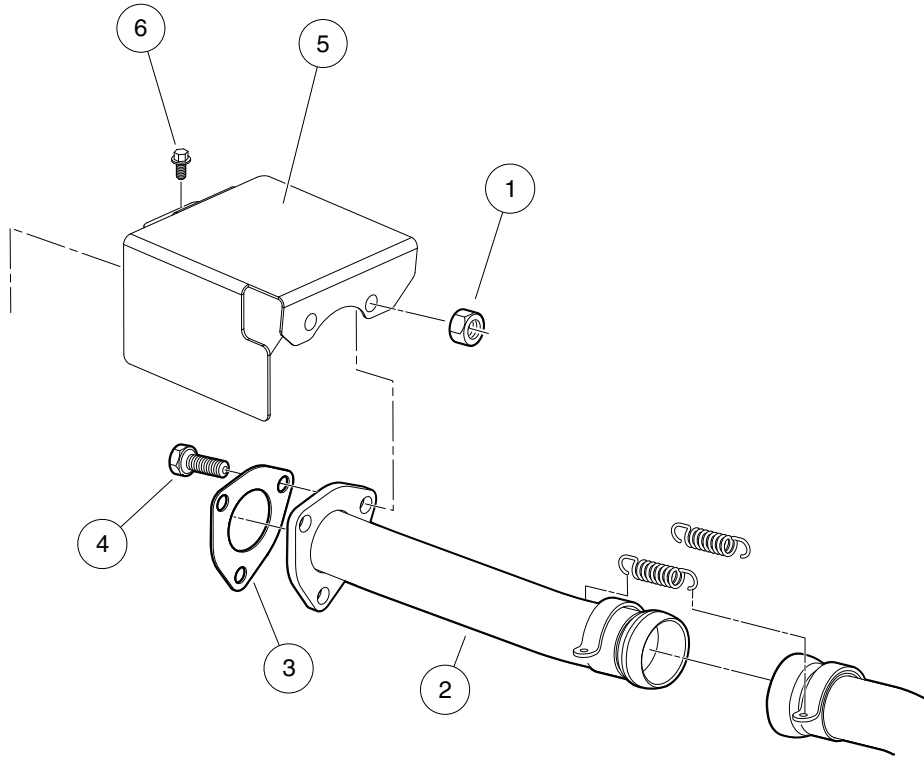
G

D

15

G

D



000538-003

EXHAUST PIPES – DIESEL VEHICLES

ITEM	PART NO.	DESCRIPTION	QTY
		1 2 3 4	
1	102298401	Nut,m8,all Metal Lock	3
2	102409301	Pipe, Exhaust Diesel Main	1
3	102422301	Gasket, Exhaust Diesel	1
4	102621301	Bolt, M8 X 1.25 X 40 with Loctite	3
5	102628101	Shield, Diesel Exhaust	1
6	102731601	Bolt, D722, Exhaust Manifold Cover	1

15

G

D

15

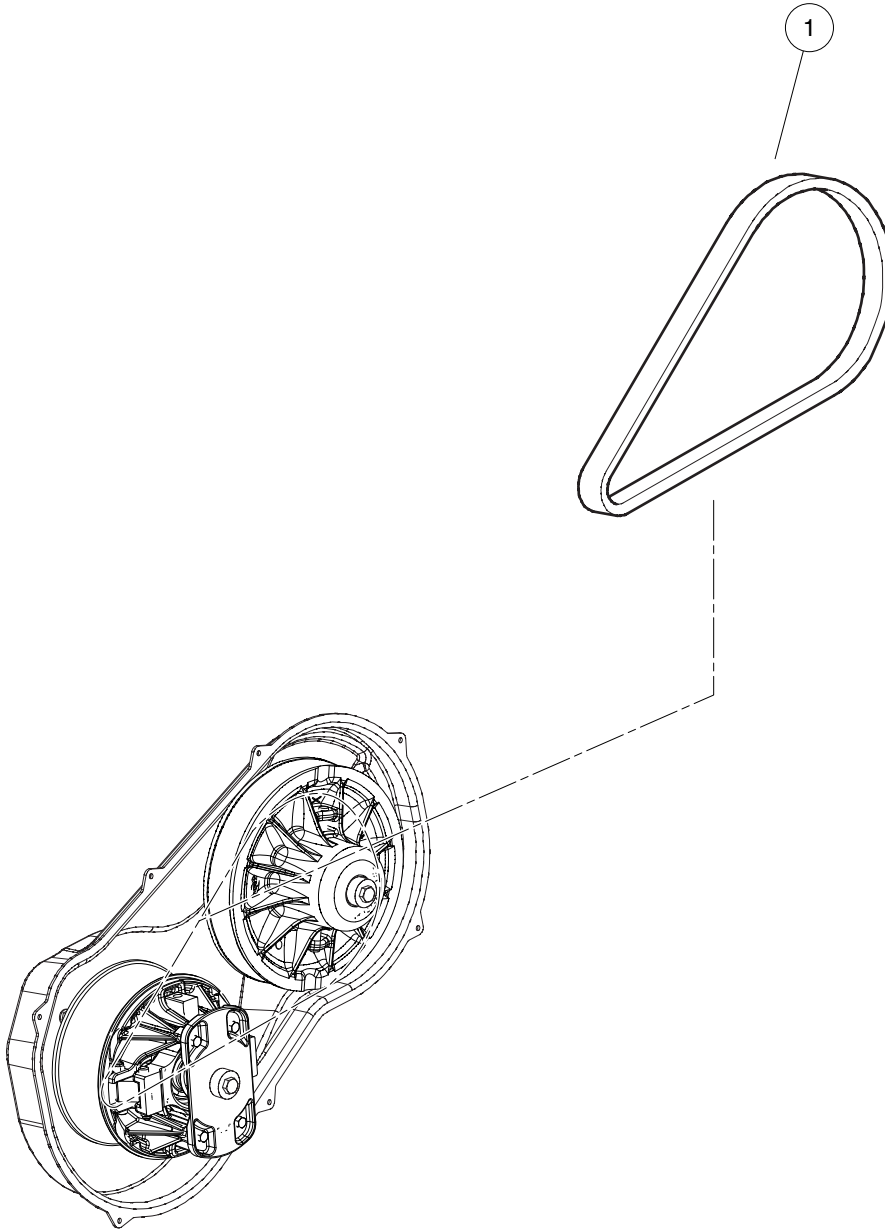
G

D

CLUTCHES – KAWASAKI GAS ENGINE

16

G

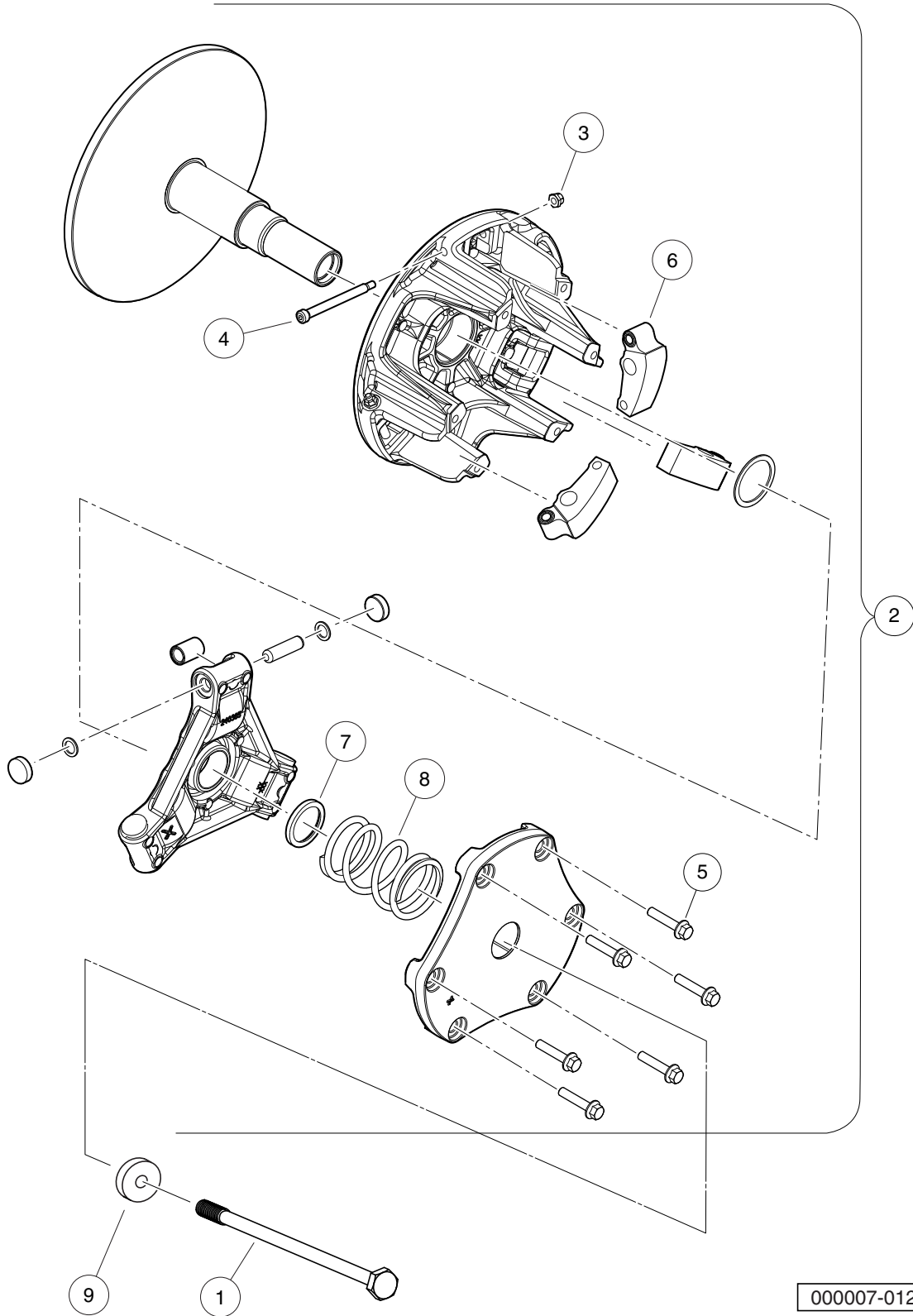


000084-001

DRIVE BELT

ITEM	PART NO.	DESCRIPTION	QTY
1	102374901	1 2 3 4 Belt, Drive	1

16
G

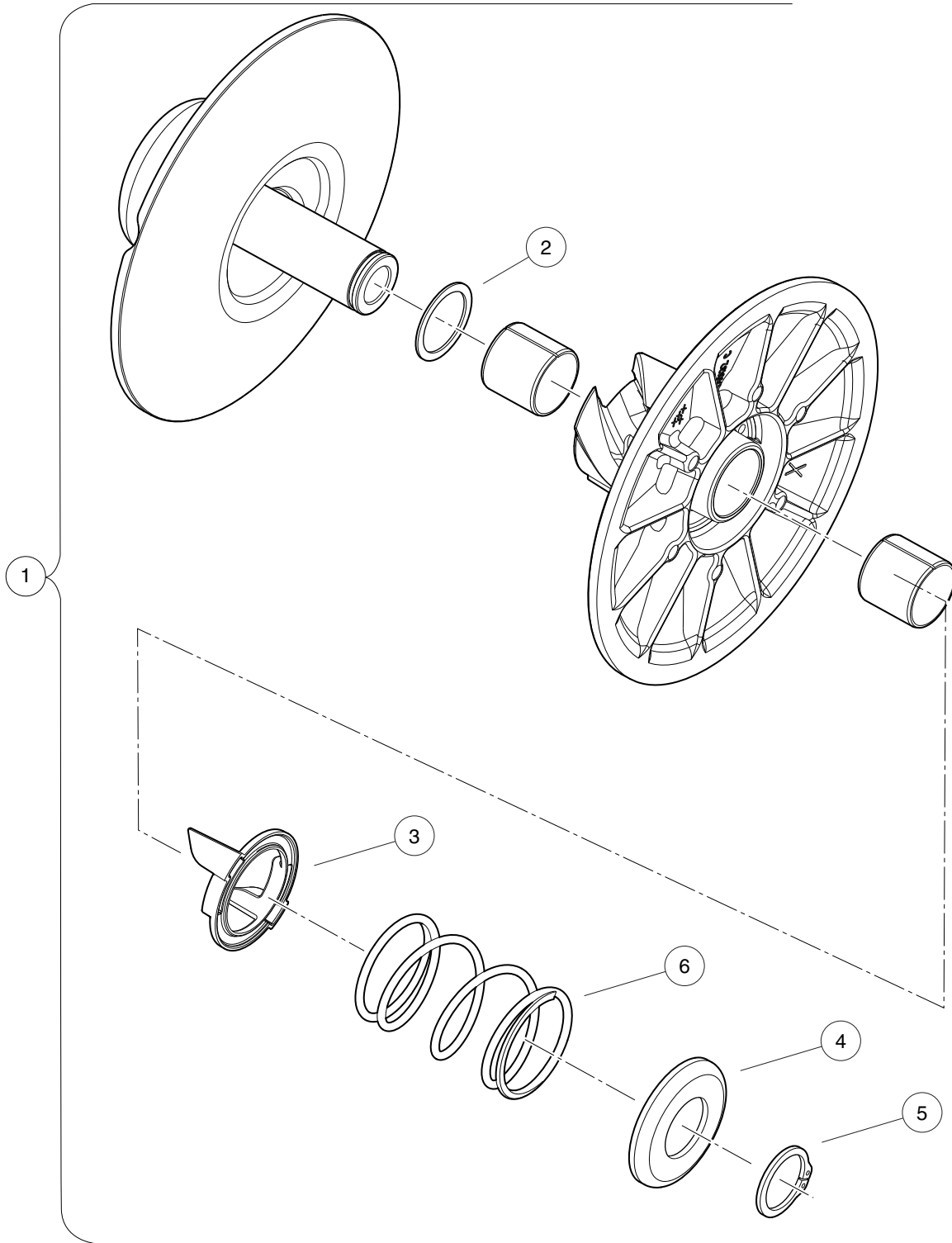


000007-012

DRIVE CLUTCH (3 WEIGHT) – GAS VEHICLE

ITEM	PART NO.	DESCRIPTION	QTY
		1 2 3 4	
1	103201501	Bolt, M8 X 1.25 X 200, Loctite	1
2	103848001	Clutch, Drive, Gas, 3 Weight (includes items 3 through 8)	1
3	103829601	Nut, Lock, Hex #10-24 Flexloc	3
4	103829701	Screw, Shldr, Hex Skt .25x2.5	3
5	103829801	Screw, Hex Flg Hd, 1/4-20x1.25	6
6	103829901	Weight, Clutch, D-153 G	3
7	103830001	Spacer, Clutch 1.44x1.125x.150	1
8	103856101	Spring, Comp, 2.0 Od Black/slv	1
9	103856501	Washer, Drv, 3-post, Gas	1

16
G



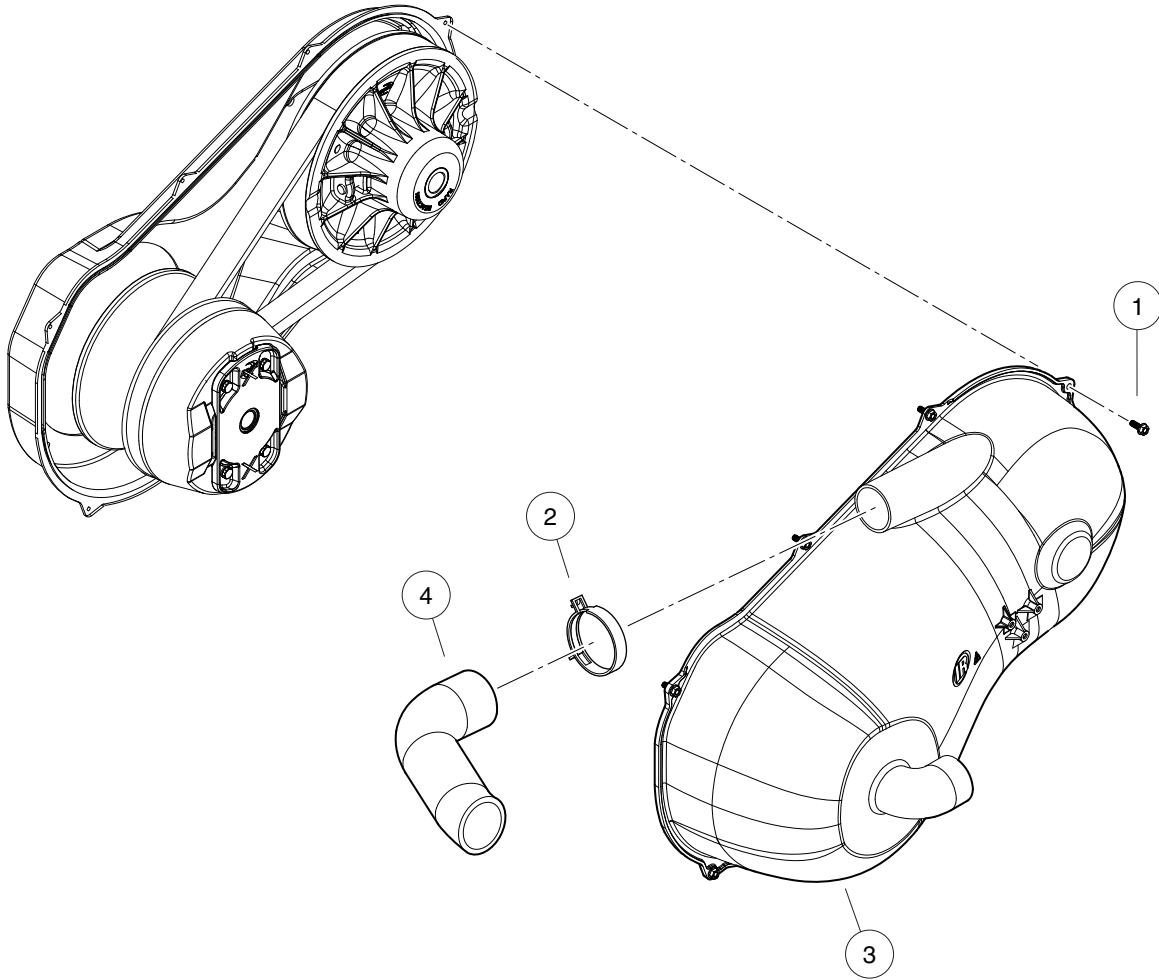
000003-002

DRIVEN CLUTCH (FOR 3 WEIGHT DRIVE CLUTCH)

ITEM	PART NO.	DESCRIPTION	QTY
		1 2 3 4	
1	103828201	Clutch, Driven, 3 Weight (includes items 2 through 6)	1
2	102695401	Washer, Thrust, 1.53 X 1.92	1
3	102695601	Retainer, Spring, Inner	1
4	102695801	Retainer, Spring, Outer	1
5	102695901	Ring, Retaining, External	1
6	103829001	Spring, Comp, 2.7 Od, Almd/blk	1

16

G



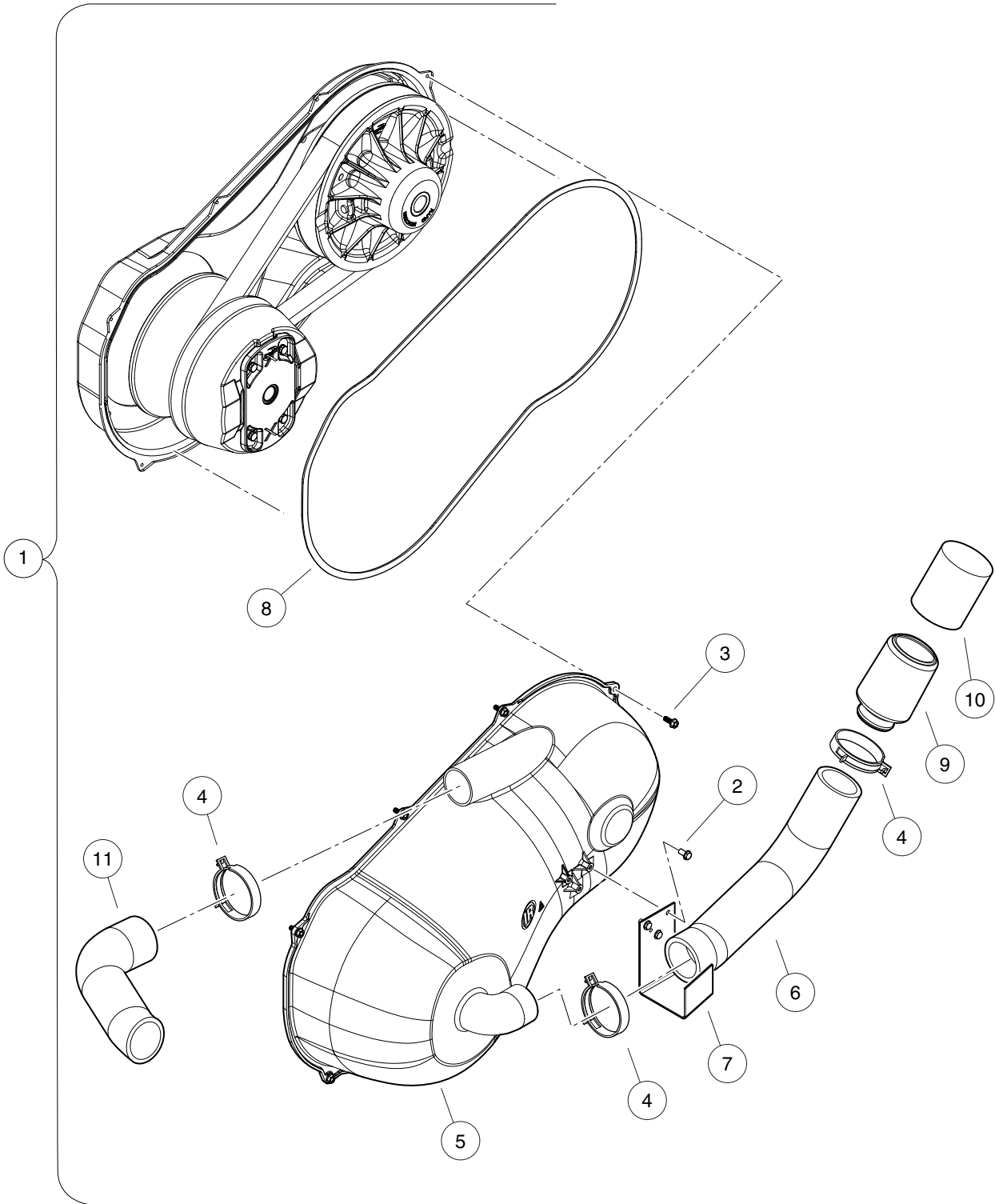
000008-003

CLUTCH COVER (NON-SEALED)

ITEM	PART NO.	DESCRIPTION	QTY
		1 2 3 4	
1	102296716	Screw, M6 X 16 Tt Hx Fl Hd	7
2	102411210	Clamp, Hose, Ctb 64mm	1
3	102628301	Cover, Cvt, Open	1
4	103320601	Hose, Outlet, Cvt	1

16

G



000008-004

CLUTCH COVER (SEALED)

ITEM	PART NO.	DESCRIPTION	QTY
		1 2 3 4	
1	102616003	Kit, Sealed CVT Cover (includes items 2 through 11)	1
2	101856101	Screw, 1/4-15 X .50 Hi-lo Hex	3
3	102296716	Screw, M6 X 16 Tt Hx Fl Hd	7
4	102411210	Clamp, Hose, Ctb 64mm	2
5	102414501	Cover, CVT Outer	1
6	102481001	Hose, Inlet, Cover, CVT	1
7	102481201	Bracket, Inlet, Cover, CVT	1
8	102481301	Gasket, Cover, CVT	1
9	102616101	Cap, Inlet, Cover, CVT	1
10	102628001	Filter, Inlet, Cover, CVT	1
11	103320601	Hose, Outlet, Cvt	1

16

G

16

G

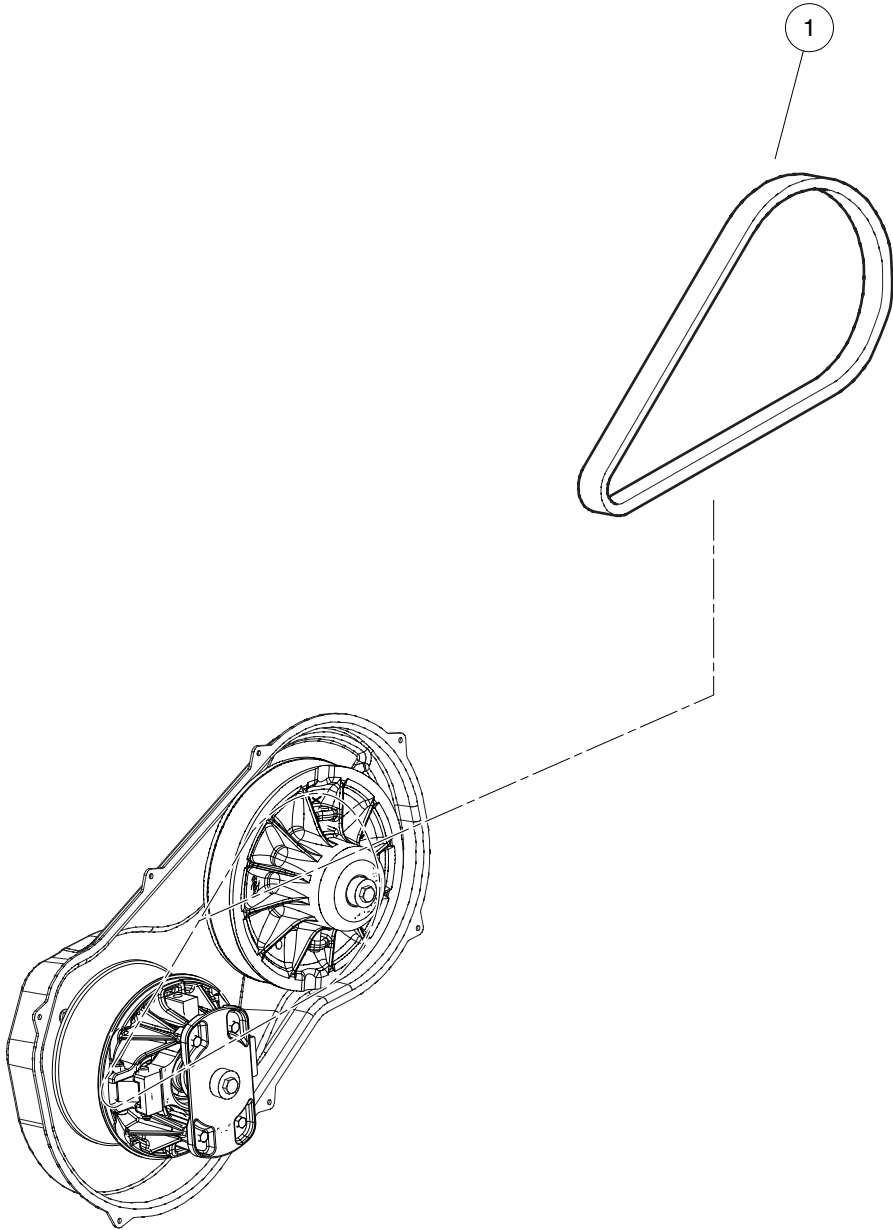
CLUTCHES – KUBOTA DIESEL ENGINE

17

D

17

D



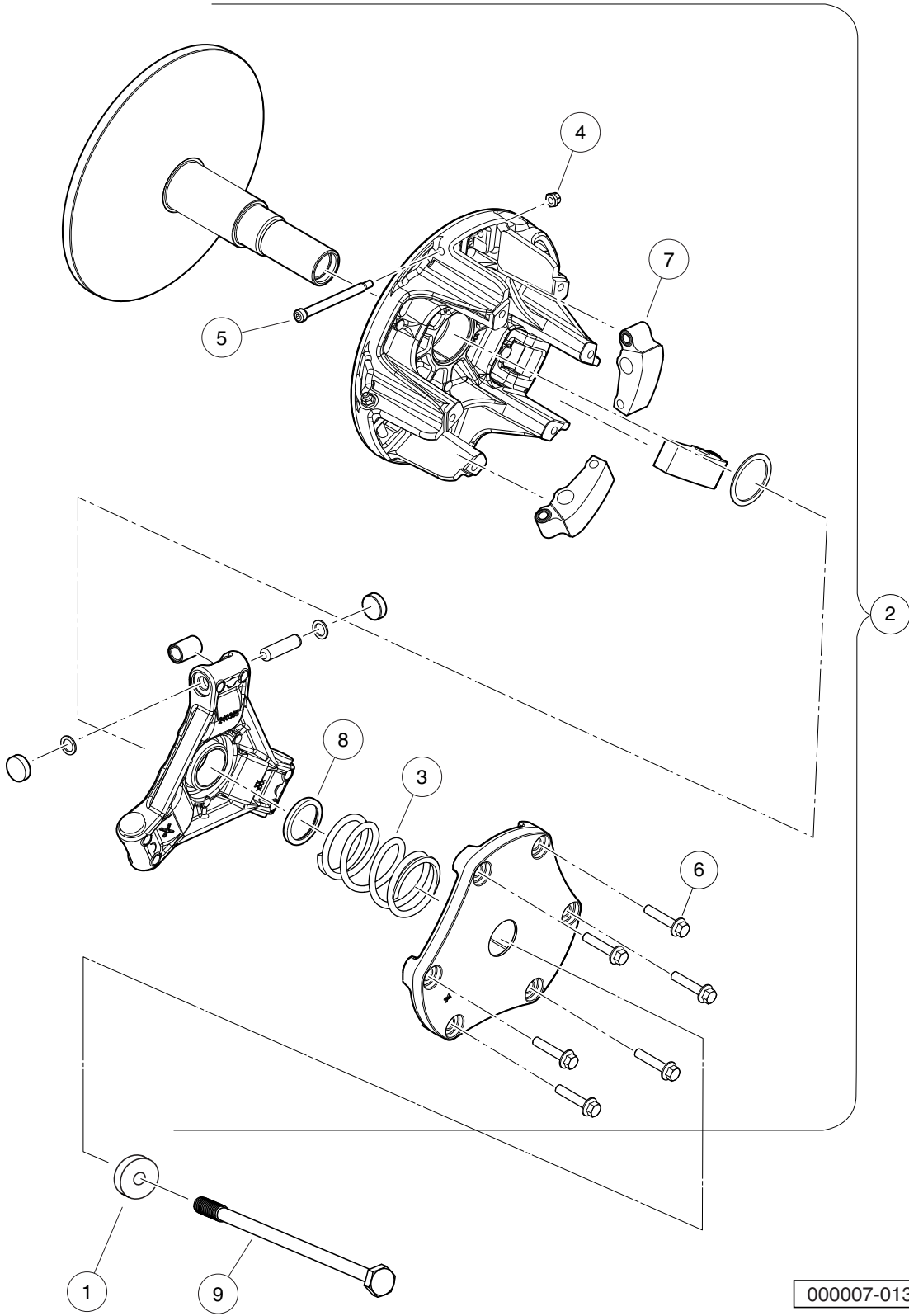
000084-001

DRIVE BELT

ITEM	PART NO.	DESCRIPTION	QTY
1	102374901	1 2 3 4 Belt, Drive	1

17

D



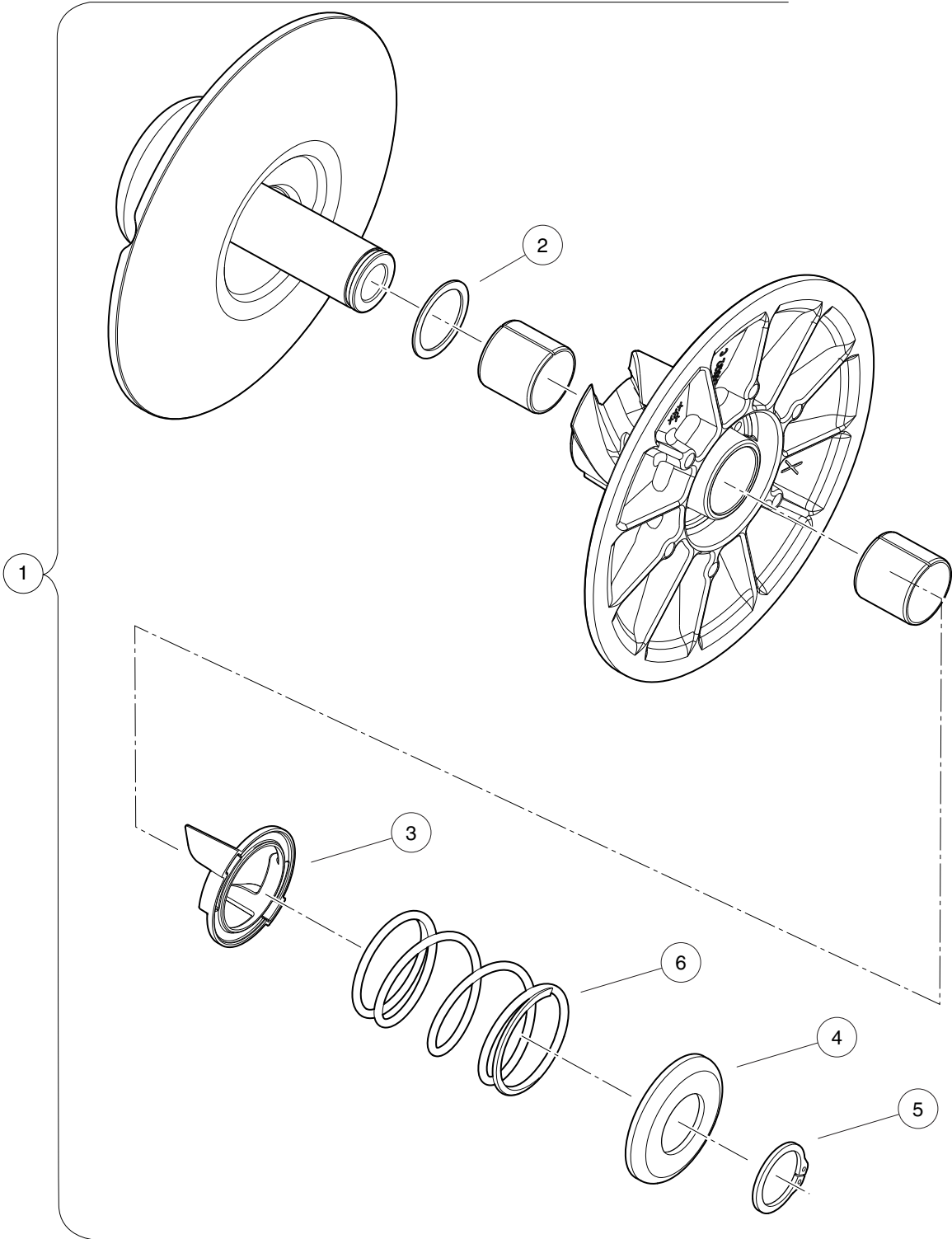
000007-013

DRIVE CLUTCH (3 WEIGHT) – DIESEL VEHICLE

ITEM	PART NO.	DESCRIPTION	QTY
		1 2 3 4	
1	102385601	Washer, Stepped	1
2	103828101	Clutch, Drive, Dsl, 3 Weight (includes items 3 through 8)	1
3	103829501	Spring, Comp, 2.0 Od Black/or	1
4	103829601	Nut, Lock, Hex #10-24 Flexloc	3
5	103829701	Screw, Shldr, Hex Skt .25x2.5	3
6	103829801	Screw, Hex Flg Hd, 1/4-20x1.25	6
7	103829901	Weight, Clutch, D-153 G	3
8	103830001	Spacer, Clutch 1.44x1.125x.150	1
9	103884001	Bolt, M10 X 1.5 X 170 Patch	1

17

D



000003-002

DRIVEN CLUTCH (FOR 3 WEIGHT DRIVE CLUTCH)

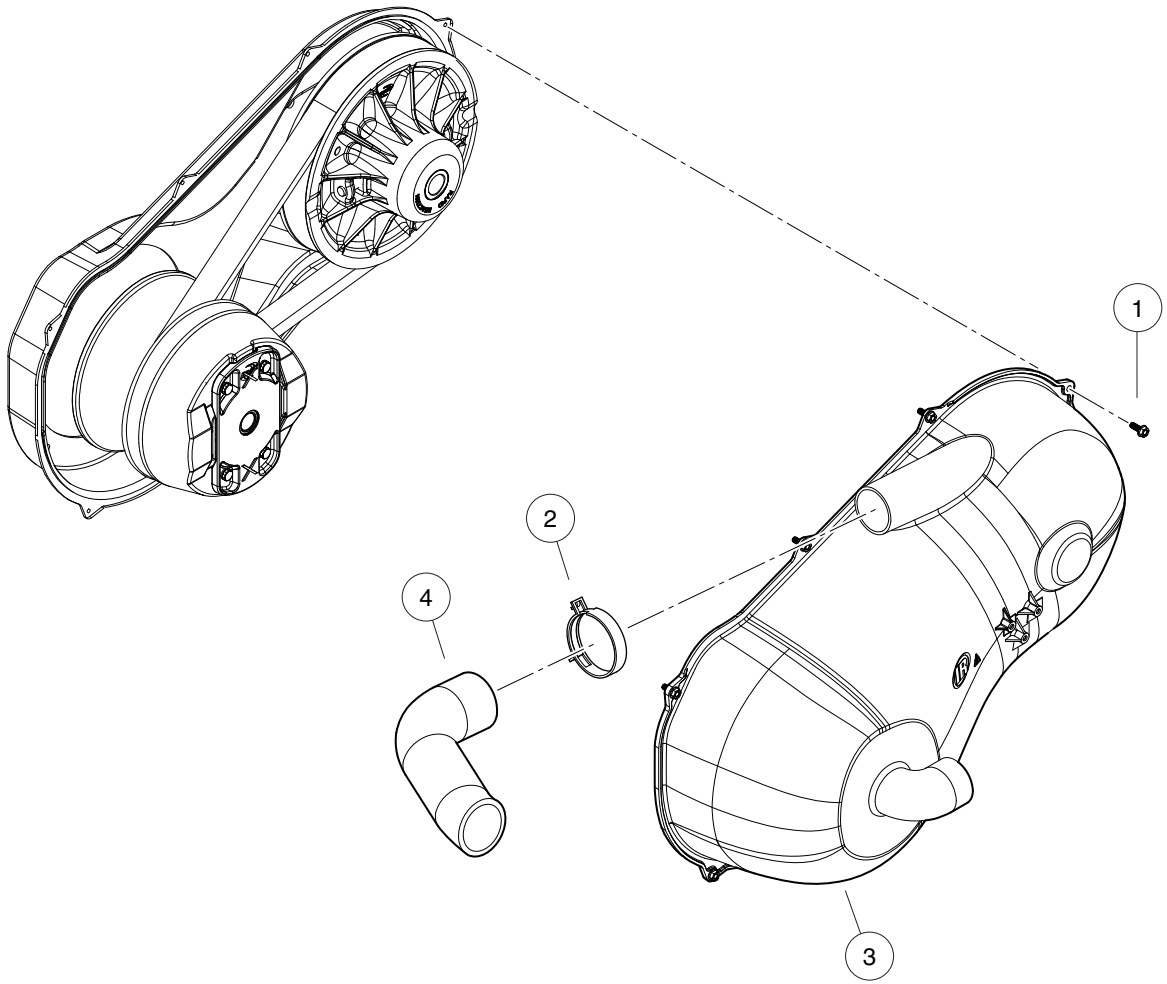
ITEM	PART NO.	DESCRIPTION	QTY
		1 2 3 4	
1	103828201	Clutch, Driven, 3 Weight (includes items 2 through 6)	1
2	102695401	Washer, Thrust, 1.53 X 1.92	1
3	102695601	Retainer, Spring, Inner	1
4	102695801	Retainer, Spring, Outer	1
5	102695901	Ring, Retaining, External	1
6	103829001	Spring, Comp, 2.7 Od, Almd/blk	1

17

D

17

D



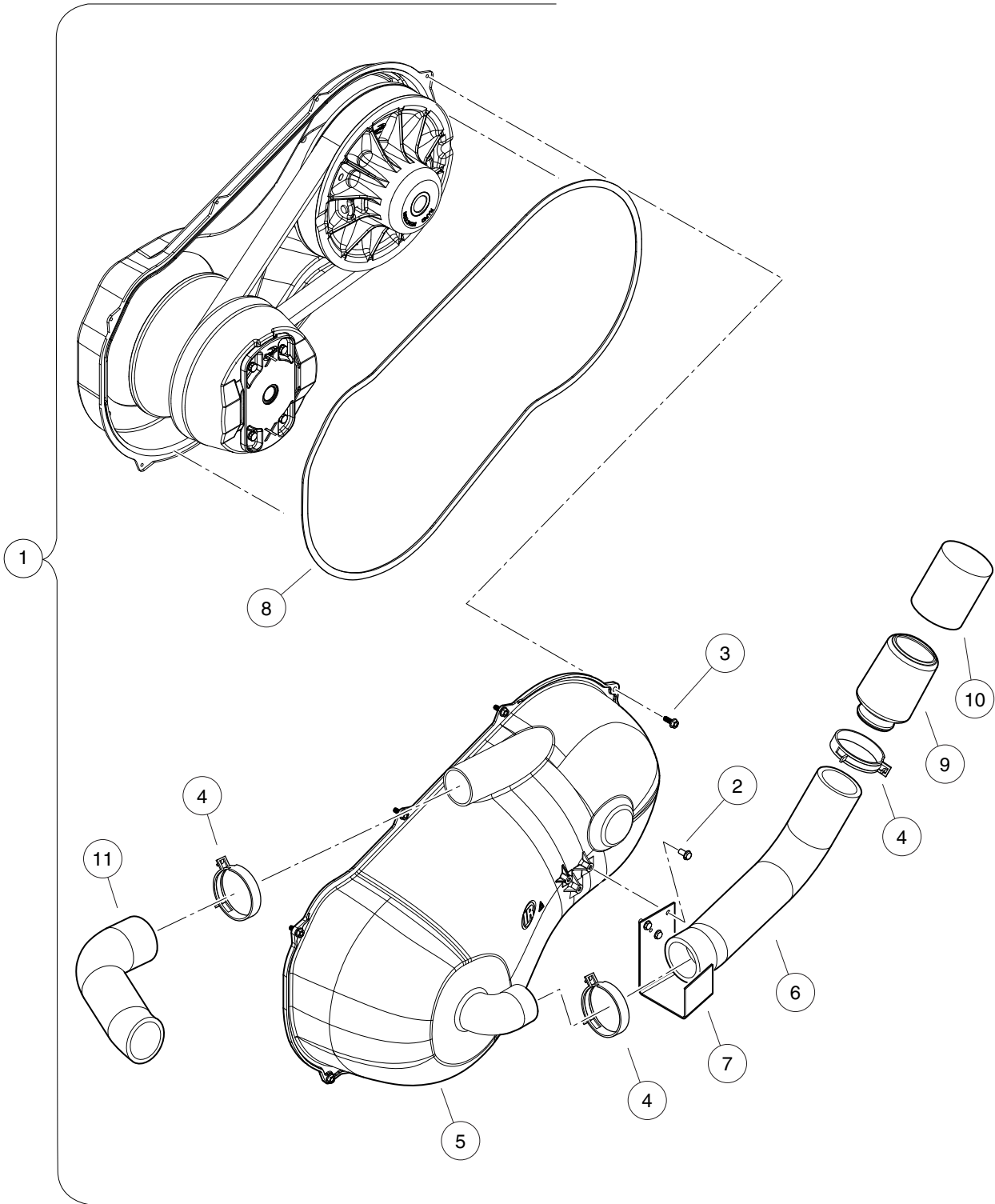
000008-003

CLUTCH COVER (NON-SEALED)

ITEM	PART NO.	DESCRIPTION	QTY
		1 2 3 4	
1	102296716	Screw, M6 X 16 Tt Hx Fl Hd	7
2	102411210	Clamp, Hose, Ctb 64mm	1
3	102628301	Cover, Cvt, Open	1
4	103320601	Hose, Outlet, Cvt	1

17

D



000008-004

CLUTCH COVER (SEALED)

ITEM	PART NO.	DESCRIPTION	QTY
		1 2 3 4	
1	102616003	Kit, Sealed CVT Cover (includes items 2 through 11)	1
2	101856101	Screw, 1/4-15 X .50 Hi-lo Hex	3
3	102296716	Screw, M6 X 16 Tt Hx Fl Hd	7
4	102411210	Clamp, Hose, Ctb 64mm	2
5	102414501	Cover, CVT Outer	1
6	102481001	Hose, Inlet, Cover, CVT	1
7	102481201	Bracket, Inlet, Cover, CVT	1
8	102481301	Gasket, Cover, CVT	1
9	102616101	Cap, Inlet, Cover, CVT	1
10	102628001	Filter, Inlet, Cover, CVT	1
11	103320601	Hose, Outlet, Cvt	1

17

D

17

D

DRIVETRAIN COMPONENTS – GAS & DIESEL

18

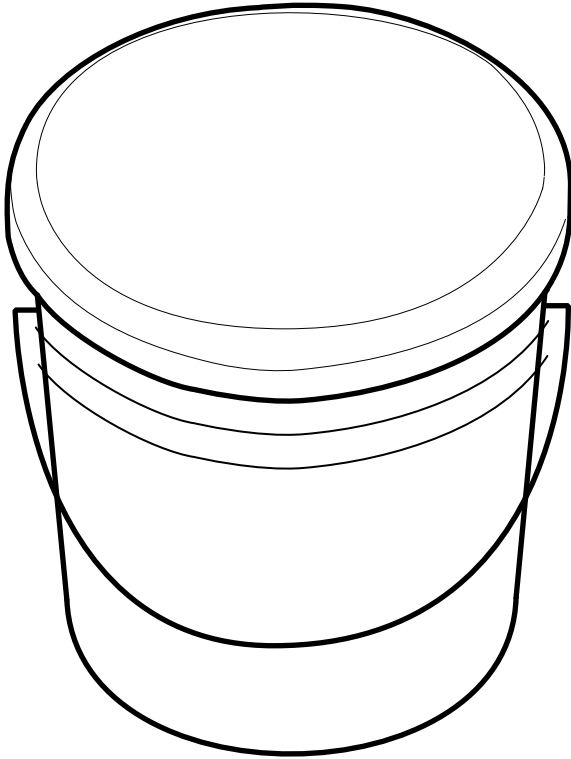
G

D

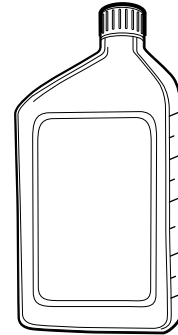
18

G

D



1



2

001069-001

OIL, DIFFERENTIAL AND TRANSMISSION

ITEM	PART NO.	DESCRIPTION	QTY
1	102723901	1 2 3 4 Oil, Locking Diff, 5 Gallon	A/R
2	AM1216101	Oil, Locking Diff, Quart	A/R
		<p>Note: Use this oil for both front and rear differentials and the transmission. Available in 5-Gallon or Quart.</p>	

18

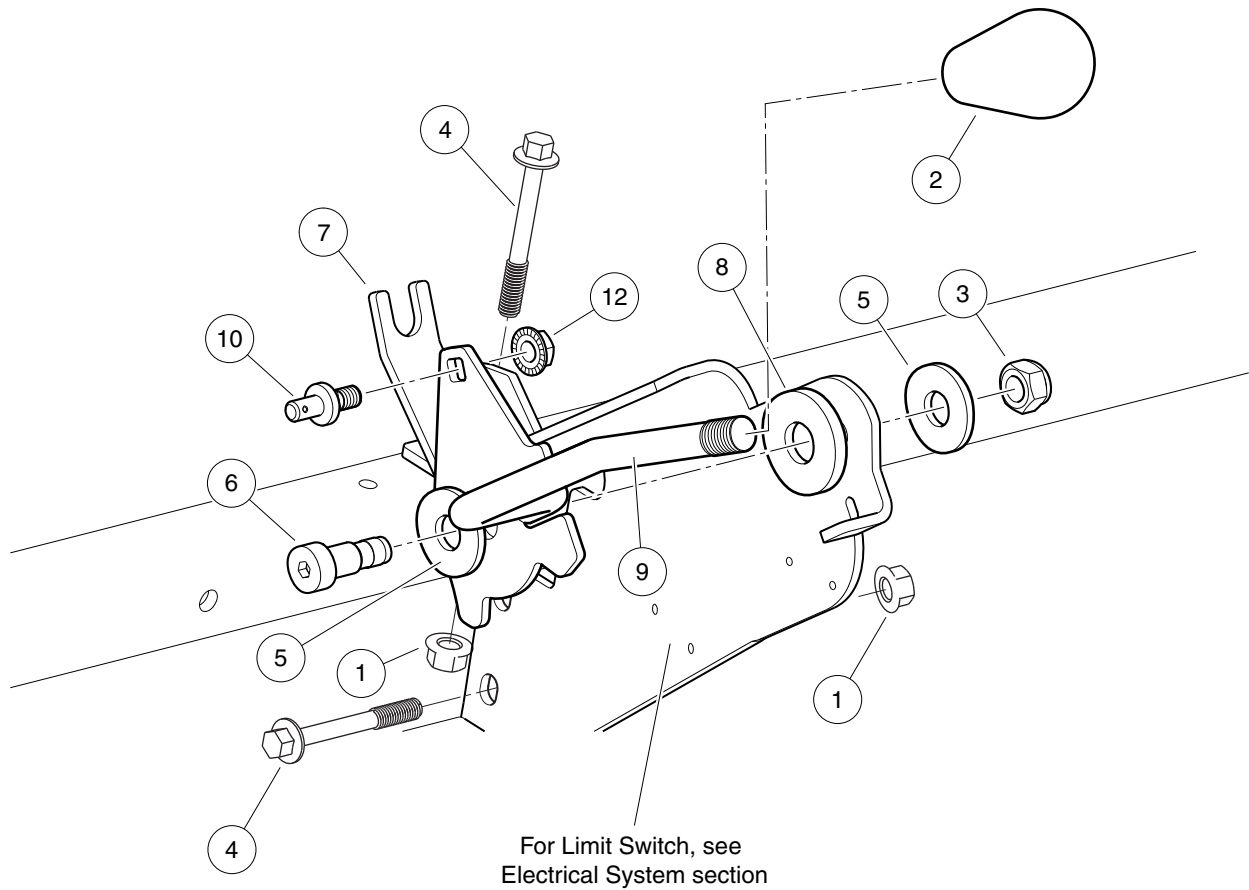
G

D

18

G

D



000030-004

FORWARD/REVERSE SHIFTER

ITEM	PART NO.	DESCRIPTION	QTY
		1 2 3 4	
1	102298401	Nut,m8,all Metal Lock	3
2	102376001	Knob, FNR, Shifter	1
3	102616701	Locknut, M10x1.5 Nylon Insert	1
4	102618301	Bolt, Flanged Head, M8 X 1.25 X 65	3
5	102684501	Washer, M12 Hard Regular	2
6	102684603	Shoulder Bolt, M12 X 16	1
7	N/A	Weldment, FNR Shift-Bracket, AWD	1
8	103873001	Bushing, Fnr, Awd	1
9	103886001	Weldment, Shifter, FNR, AWD	1
10	103886101	Pin, Cable, Fnr	1
11	8990	Tie Wrap, 8" Nylon	2
12	96704416	Nut, Flange, M8 X 1.25 Serrated	1

18

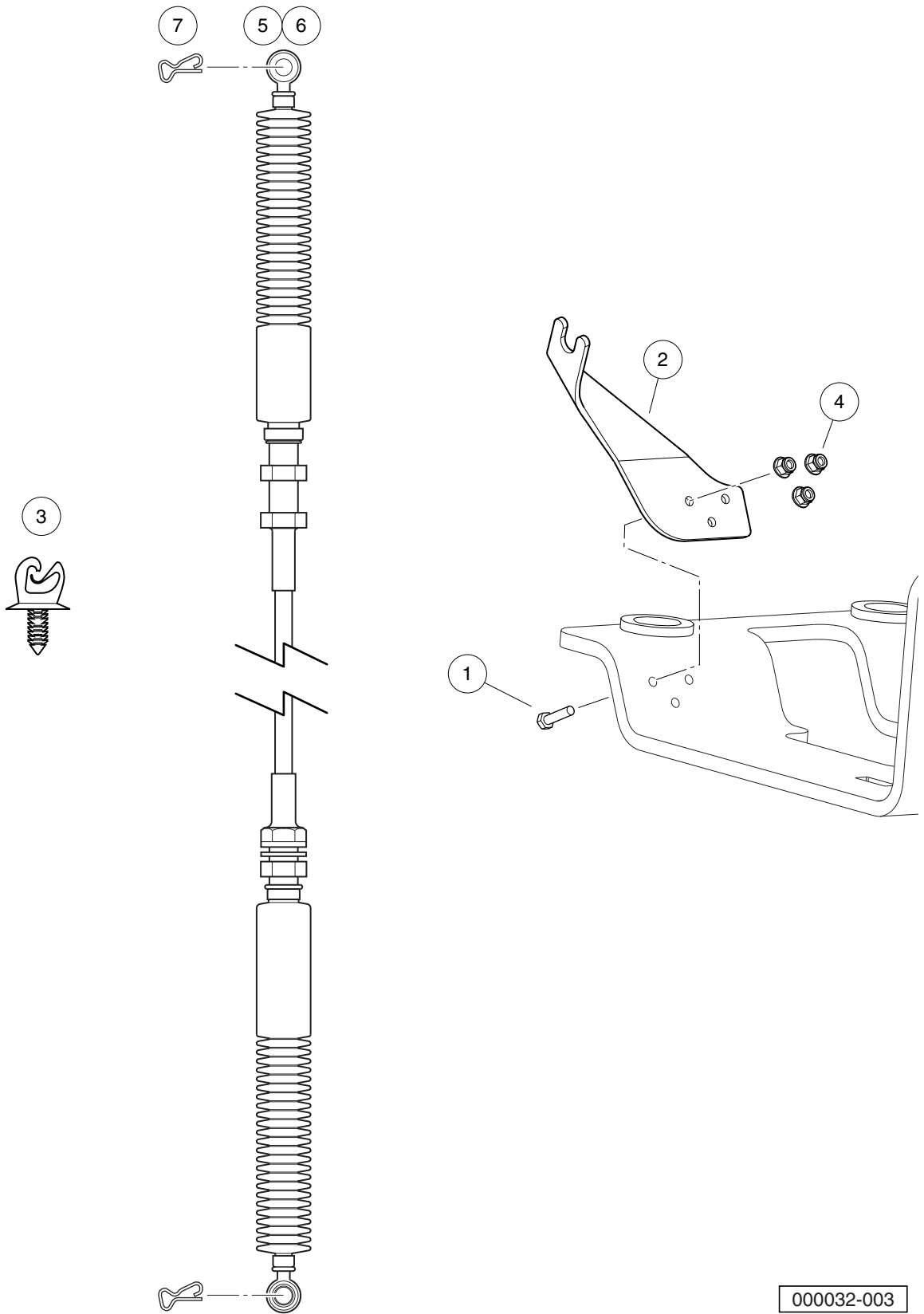
G

D

18

G

D



000032-003

SHIFTER CABLE

ITEM	PART NO.	DESCRIPTION	QTY
		1 2 3 4	
1	1012769	Screw, M6-1.00 X 25mm Hex Cap	3
2	102382401	Bracket, FNR Trans Cable	1
3	102475701	Clip, Brake Line	1
4	102621501	Nut, Flange, M6 X 1.0, Nylon	3
5	103879301	Cable, Transmission Shift, 295/1550	1
6	103879401	Cable, Transmission Shift, 295 SE/1550 SE	1
7	103886601	Clip, Bowtie	2

18

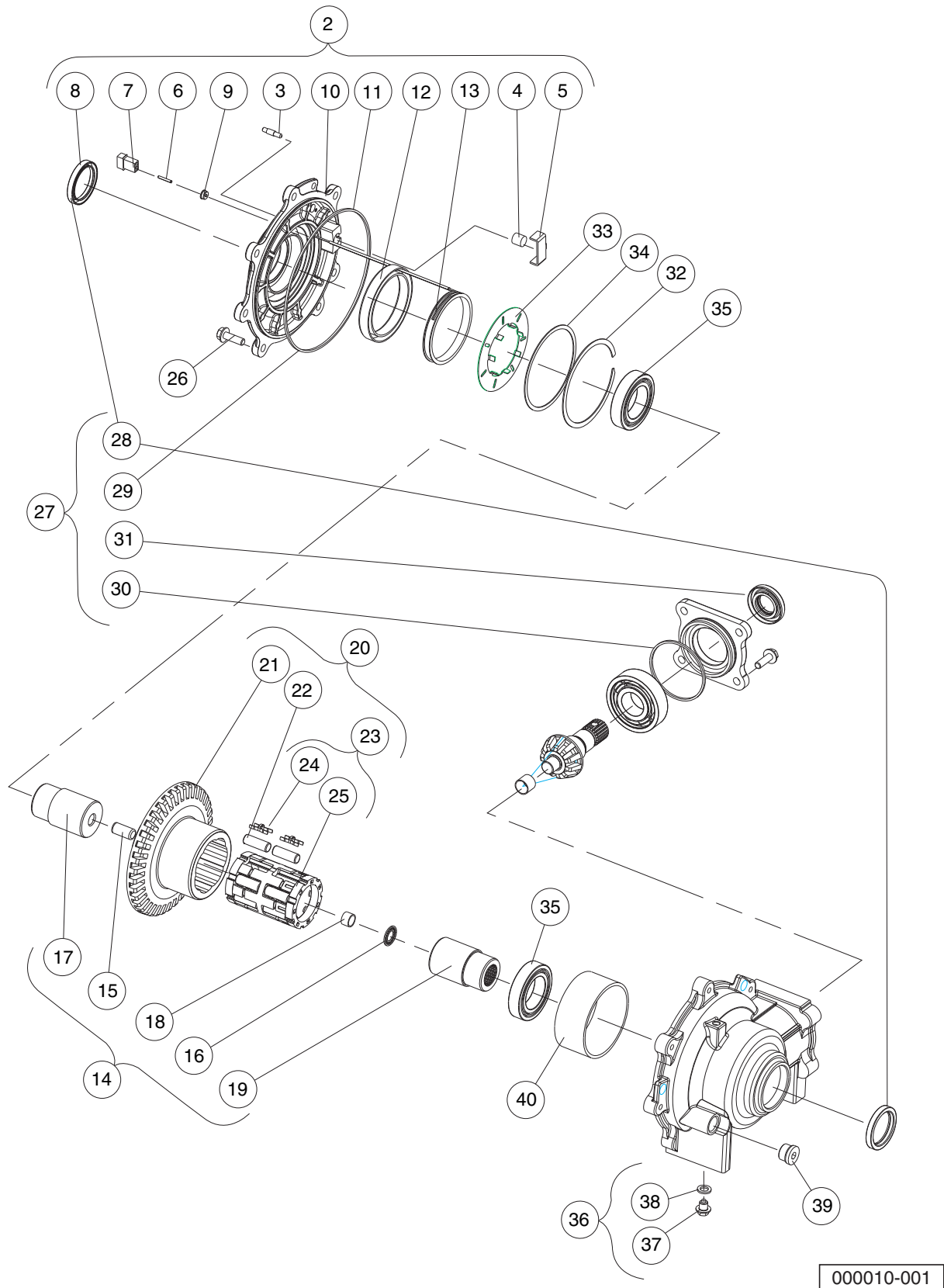
G

D

18

G

D



FRONT DIFFERENTIAL (OUTPUT COMPONENTS)

ITEM	PART NO.	DESCRIPTION	QTY
		1 2 3 4	
1	102371801	Differential, Front * (includes items 2 through 40)	1
2	102438201	Kit, Assy, Output Cover Plate (includes items 3 through 13)	1
3	102439001	Set Screw, #10-24 UNC-3A with Patch	1
4	102439101	Thrust Button	1
5	102439201	Thrust Plate	1
6	N/A	Mate-N-Lock Pin	2
7	N/A	Mate-N-Lock Housing	1
8	N/A	Oil Seal	1
9	N/A	Grommet	1
10	N/A	Plate, Output Cover	1
11	N/A	O-Ring	1
12	N/A	Coil, Pocket Insert	1
13	N/A	Coil with Press-Fit Bobbin	1
14	102438301	Kit, Assy, Race Output Hub (includes items 15 through 19)	1
15	N/A	Pin, Dowel	1
16	102439501	Bearing, Needle	1
17	N/A	Race/Output Hub, Male	1
18	N/A	Bushing, PermiGlide	1
19	N/A	Race/Output Hub, Female	1
20	102438401	Kit, Assy, Clutch (includes items 21 through 23)	1
21	102439601	Clutch Hsg/Ring Gear, Machined	1
22	102439801	Kit, Roller (contains 14 rollers)	1
23	102439901	Kit, Assy, Roll Cage (includes items 24 and 25)	1
24	102439701	Kit, H-Clip Spring (contains 14 clips)	1
25	N/A	Roll Cage, Plastic	1
26	102438501	Kit, Bolt (contains 7 bolts)	1
27	102438601	Kit, Minor Repair (includes items 28 through 31)	1
28	N/A	Oil Seal	2
29	N/A	O-Ring	1
30	N/A	O-Ring	1
31	N/A	Oil Seal, Triple-Lipped	1
32	102438701	Retaining, Ring Internal	1
33	102438801	Plate, Armature	1
34	102438901	Shim, Armature, Plate	1
35	102439301	Bearing, Ball	12
36	102440101	Kit, Assy, Drain Plug (includes items 37 and 38)	1
37	N/A	Plug, Oil Drain	1
38	N/A	Washer, Nylon, 0.625 x 0.382 x 0.06	1
39	102440301	Plug, Oil Fill	1
40	N/A	Bushing, Self-Lubricating, 80 x 85 x 20	1
		* Note: This assembly also contains components listed on the following two pages.	

18

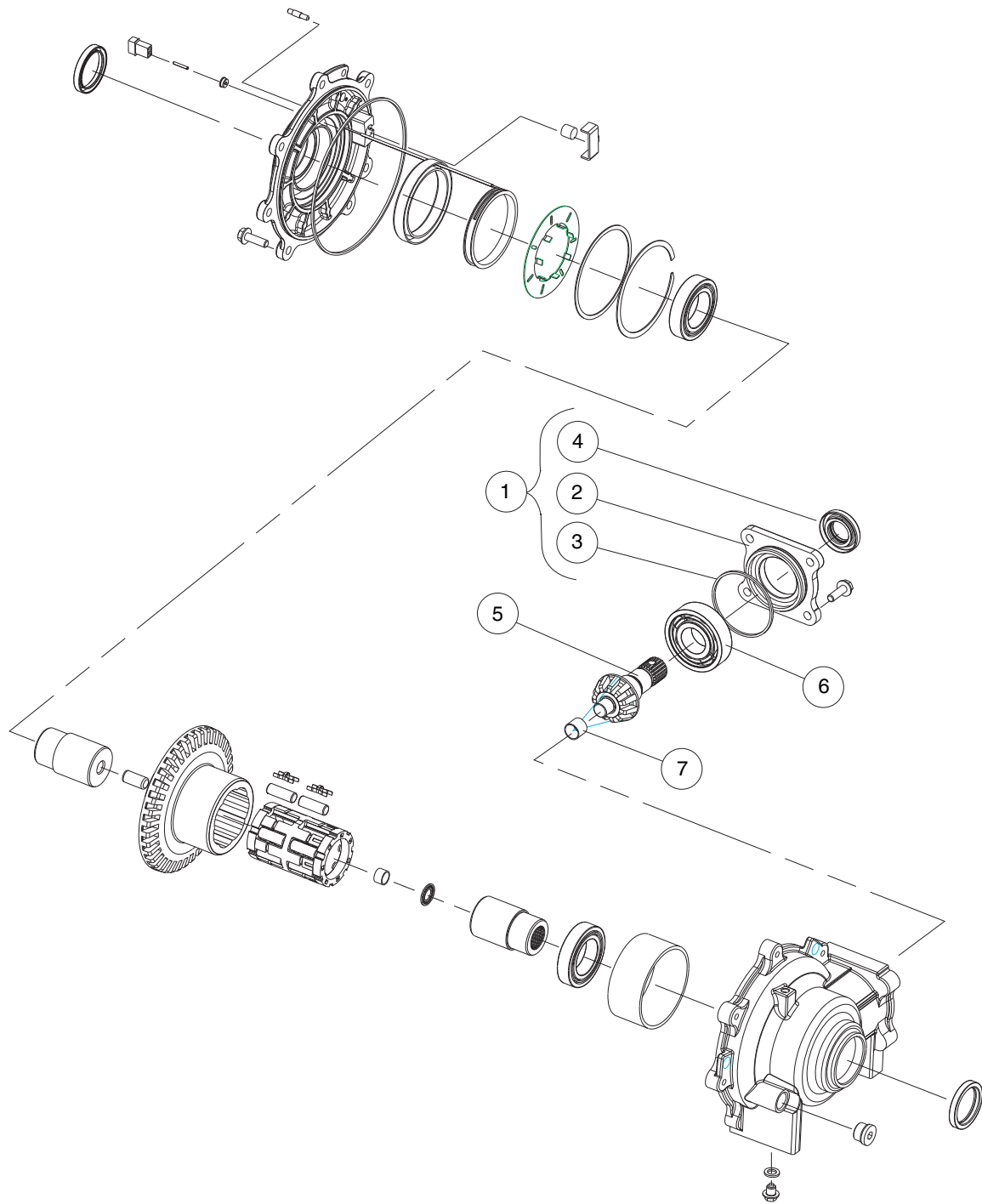
G

D

18

G

D



000010-002

FRONT DIFFERENTIAL (INPUT COMPONENTS)

ITEM	PART NO.	DESCRIPTION	QTY
		1 2 3 4	
1	102440201	Kit, Assy, Input Cover Plate (includes items 2 through 4)	1
2	102440601	Cover, Input, Machined	1
3	N/A	O-Ring	1
4	N/A	Oil Seal, Triple-Lipped	1
5	102440401	Shaft, Pinion, Machined	1
6	102440501	Bearing, Ball	1
7	N/A	Bushing, Plain 16 Id X 15 Wide	1
<p>Note: This page contains a list of components internal to the front differential. See the previous pages for other front differential components.</p>			

18

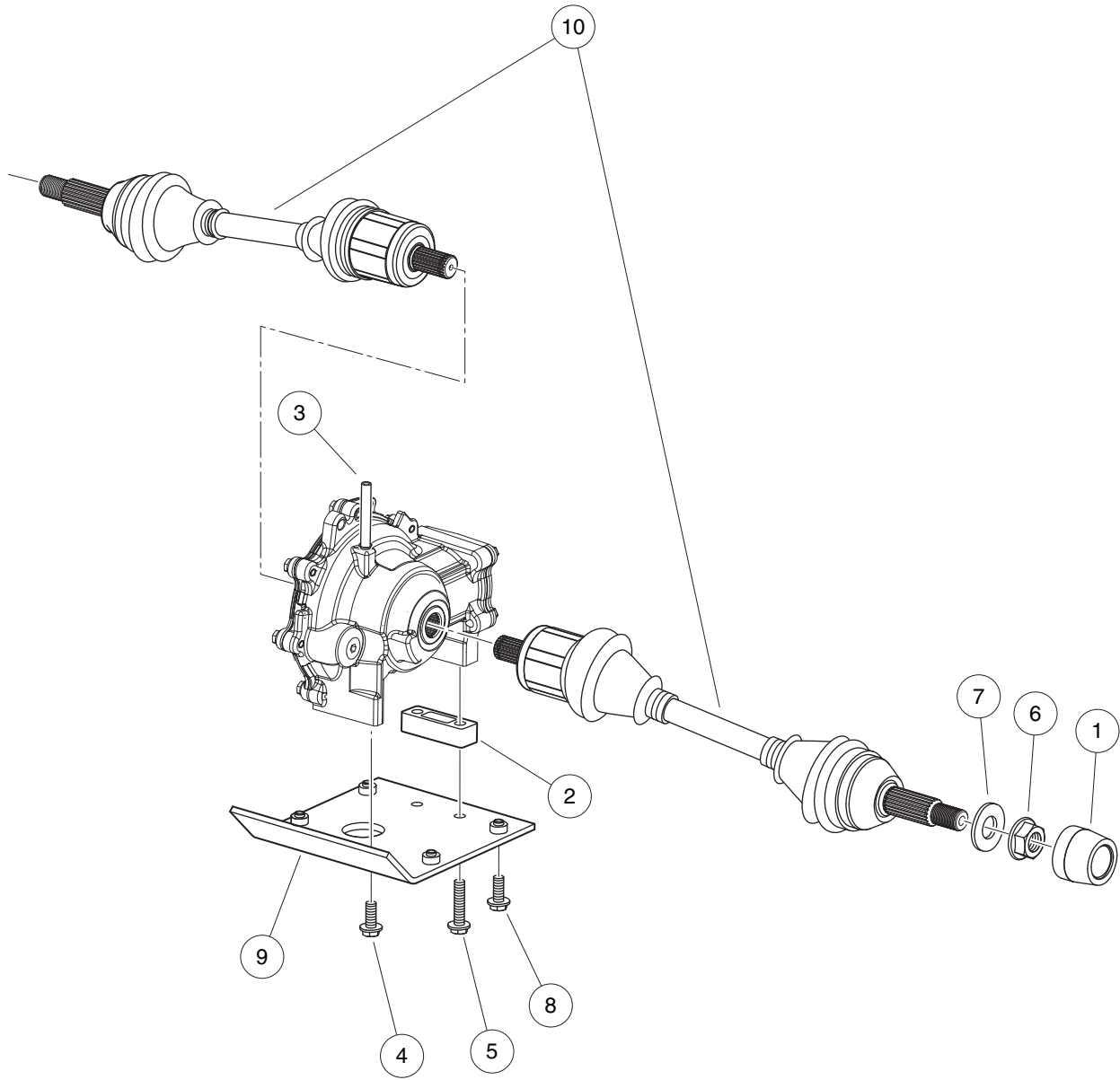
G

D

18

G

D



000012-006

FRONT DIFFERENTIAL MOUNTING AND HALF SHAFTS

ITEM	PART NO.	DESCRIPTION	QTY
		1 2 3 4	
1	102274101	Center Cap, Rubber	2
2	102381701	Spacer Block, Diff	1
3	102462401	Hose, Vent, Front Diff	1
4	102491001	Bolt, Flanged Head, 3/8-16x1.0 with Loctite	2
5	102491101	Bolt, Flanged Head, 3/8-16x1.500 with Loctite	2
6	102617501	Nut, Flange, M22 X 1.5 Mech Def	2
7	102617801	Washer, Hard, M22	2
8	102711601	Bolt, Flange Head, M10 X 1.5 X 25	4
9	103244701	Asm, Mount, Diff Plate	1
10	103762201	Half Shaft, Front, AWD	2

18

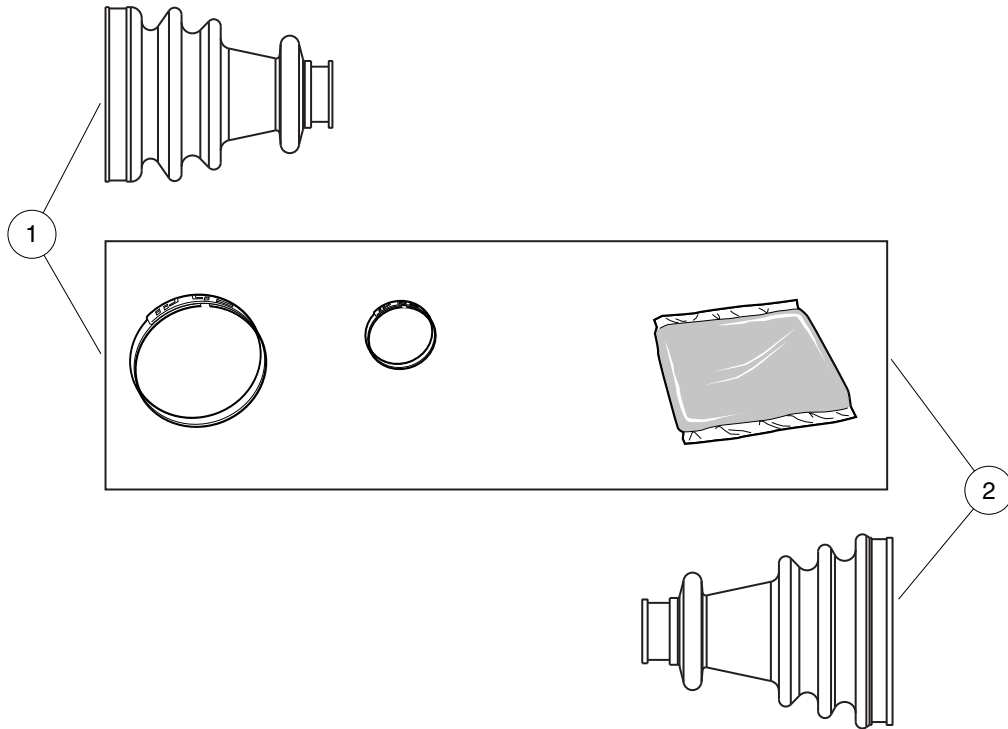
G

D

18

G

D



000791-004

CV BOOT REPAIR KITS

ITEM	PART NO.	DESCRIPTION	QTY
1	AM1291501	1 2 3 4 Kit, Inner Boot	1
2	AM1291601	Kit, Outer Boot	1

18

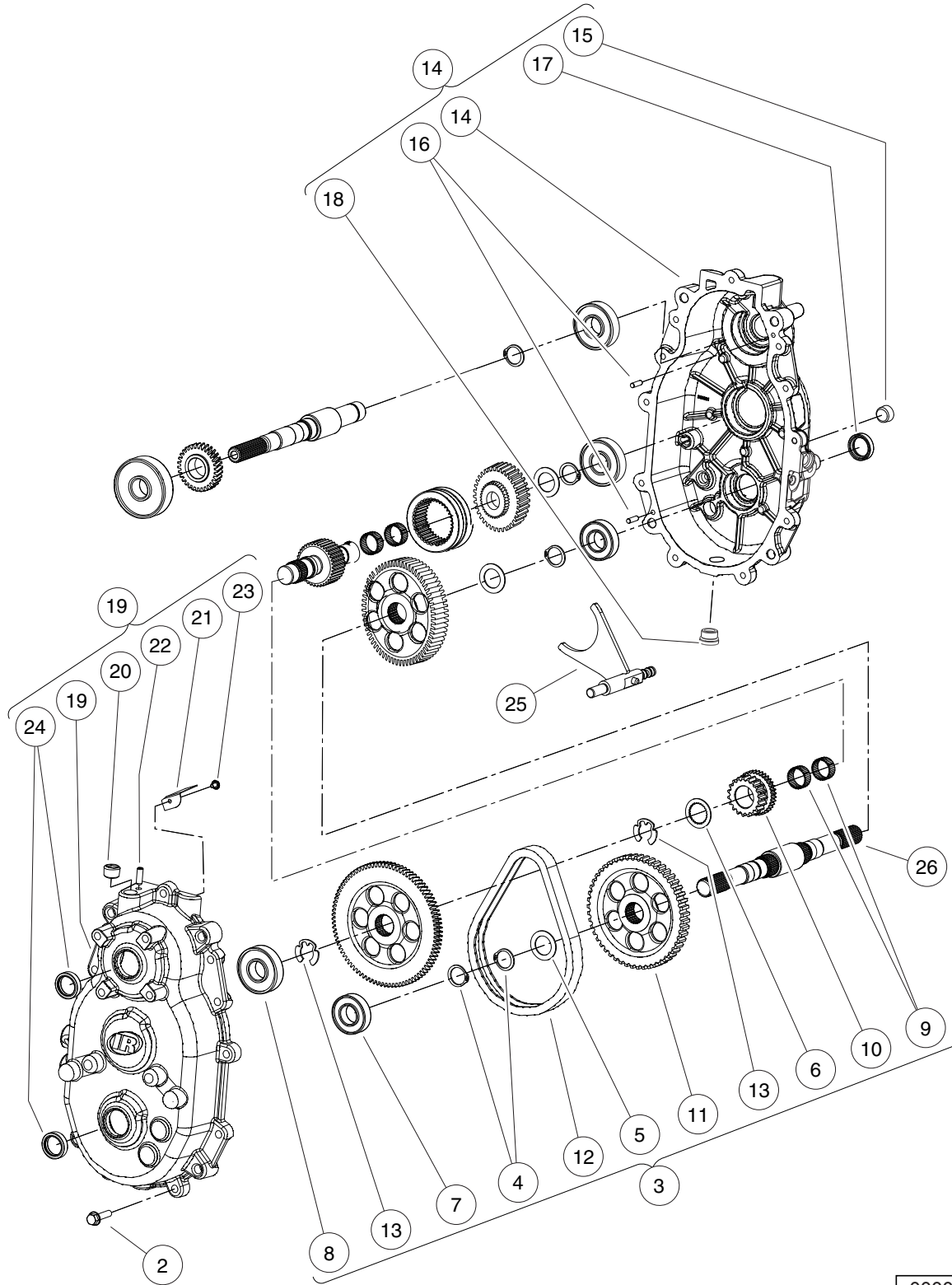
G

D

18

G

D



000016-018

TRANSMISSION – PAGE 1 OF 3

ITEM	PART NO.	DESCRIPTION	QTY
		1 2 3 4	
1	103969001	Transmission, Awd, 422046 (includes items 2 through 26)	1
2	102693301	Screw, hex Flange, M8 X 35	11
3	102765201	Kit, Reverse Gear Repair (includes items 4 through 13)	1
4	102696201	Ring, Retaining, Basic External	2
5	102696501	Washer, Thrust, 1.007 X .062	1
6	102696701	Washer, 26.231 X 39.167 X 1.57	1
7	102696801	Bearing, Ball	1
8	102696901	Bearing, Ball	1
9	102697101	Bearing, Needle	2
10	N/A	Sprocket, 19-Tooth	1
11	N/A	Sprocket, 51-Tooth	1
12	N/A	Chain, .375p, .75 Wide, 60ptch	1
13	102699701	Ring, Retaining, E-Ring	2
14	105125301	Asm, Gear Case, Front (includes items 15 through 18)	1
15	102694201	Plug, Square Skt, 1/12-14, Ptf	1
16	102696101	Pin, Dowel, 6 X 20	2
17	102699401	Seal, Triple, 25 X 35 X 7.8	1
18	103250401	Plug, 3/4-16	1
19	105125401	Asm, Gear Case, Rear (includes items 20 through 24)	1
20	102694201	Plug, Square Skt, 1/12-14, Ptf	1
21	N/A	Oil, Deflector	1
22	N/A	Vent, Trans	1
23	N/A	Screw, Tapping # 10-24 X .375	1
24	102699401	Seal, Triple, 25 X 35 X 7.8	2
25	105125701	Fork,Transmission	1
26	105125801	Shaft,Output	1

18

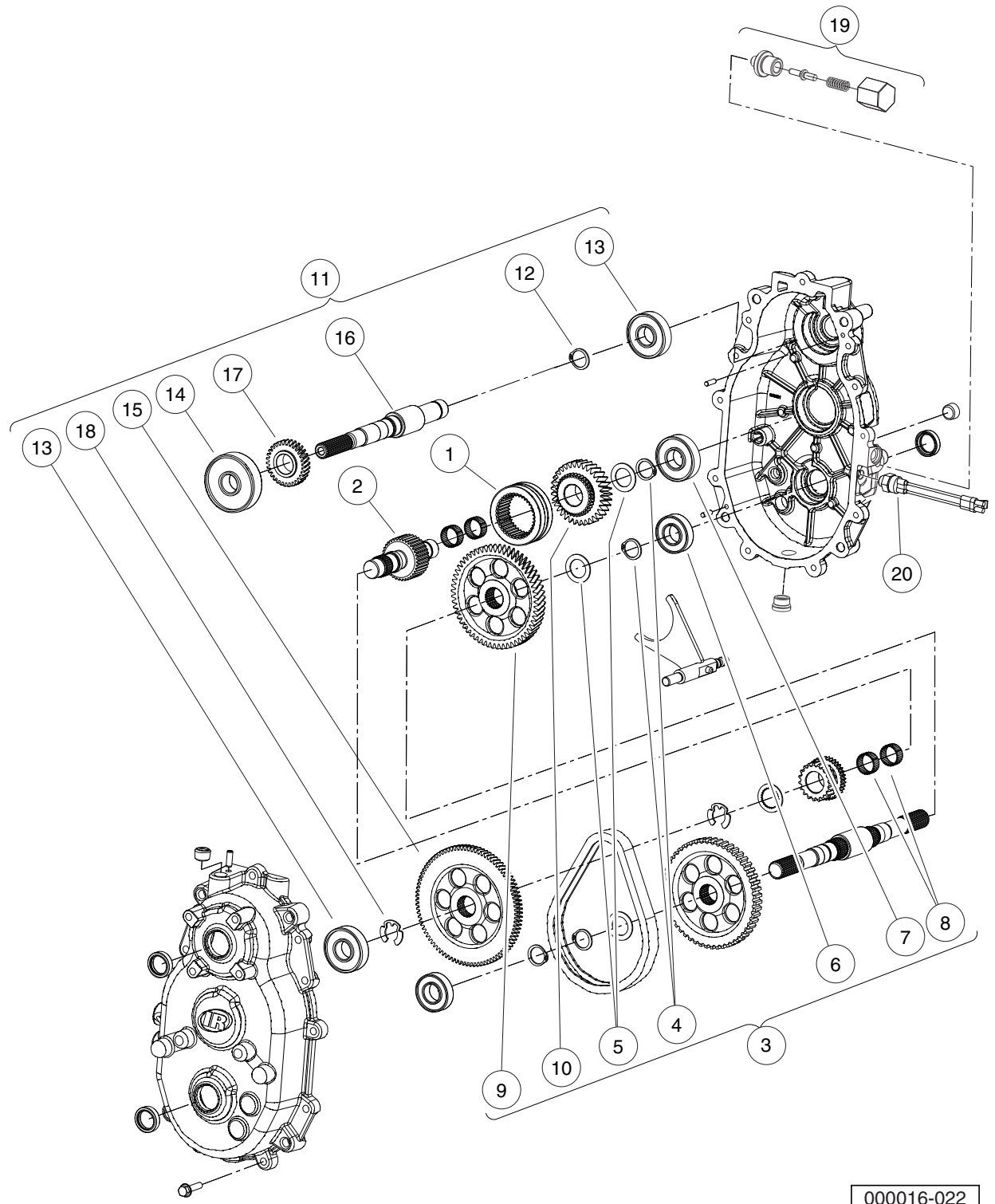
G

D

18

G

D



000016-022

TRANSMISSION – PAGE 2 OF 3

ITEM	PART NO.	DESCRIPTION	QTY
		1 2 3 4	
1	102697501	Dog, Engagement	1
2	102698701	Shaft, Intermediate	1
3	102764901	Kit, Forward Gear Repair (includes items 4 through 10)	1
4	102696201	Ring, Retaining, Basic External	2
5	102696501	Washer, Thrust, 1.007 X .062	2
6	102696801	Bearing, Ball	1
7	102696901	Bearing, Ball	1
8	102697101	Bearing, Needle	2
9	N/A	Gear, Helical 58-Tooth	1
10	N/A	Gear, Helical 34-Tooth	1
11	103721801	Kit, Input Shaft Repair (includes items 12 through 18)	1
12	102696201	Ring, Retaining, Basic External	1
13	102696901	Bearing, Ball	2
14	102697001	Bearing, Ball	1
15	N/A	Gear, Helical 90-Tooth	1
16	N/A	Shaft, Input	1
17	N/A	Gear, Helical, 31-tooth	1
18	102699701	Ring, Retaining, E-Ring	1
19	105125501	Kit, Detent Repair	1
20	105125601	Switch, Indicator, Pollak	1

18

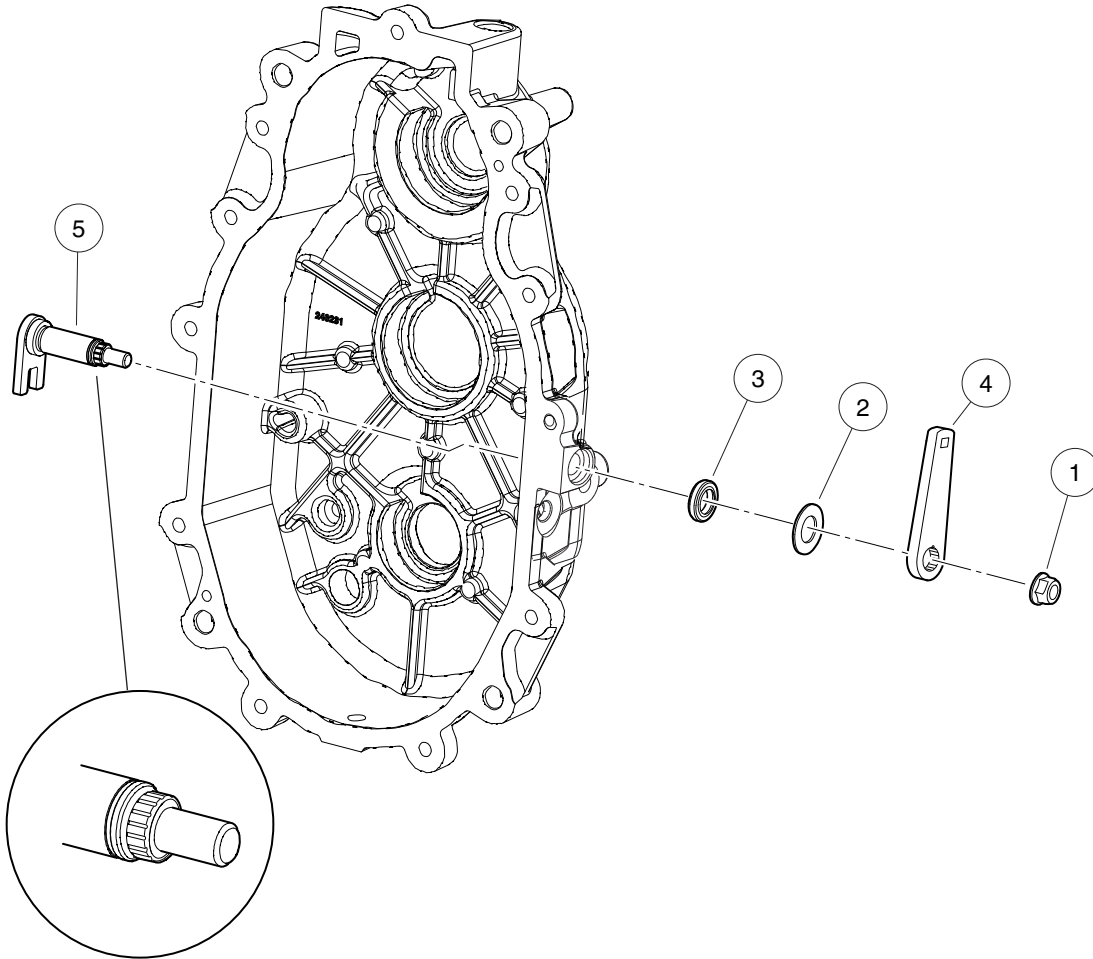
G

D

18

G

D



000016-021

TRANSMISSION – PAGE 3 OF 3

ITEM	PART NO.	DESCRIPTION	QTY
		1 2 3 4	
1	102696001	Nut, Lock Hex, Nylon, 5/16-24	1
2	102696601	Washer, Flat, .58 X 1.08 X .05	1
3	102699601	Seal, Dual Lip, .88 X .56 X .19	1
4	103883001	Bellcrank, Square-hole	1
5	105125901	Shaft, Shift	1

18

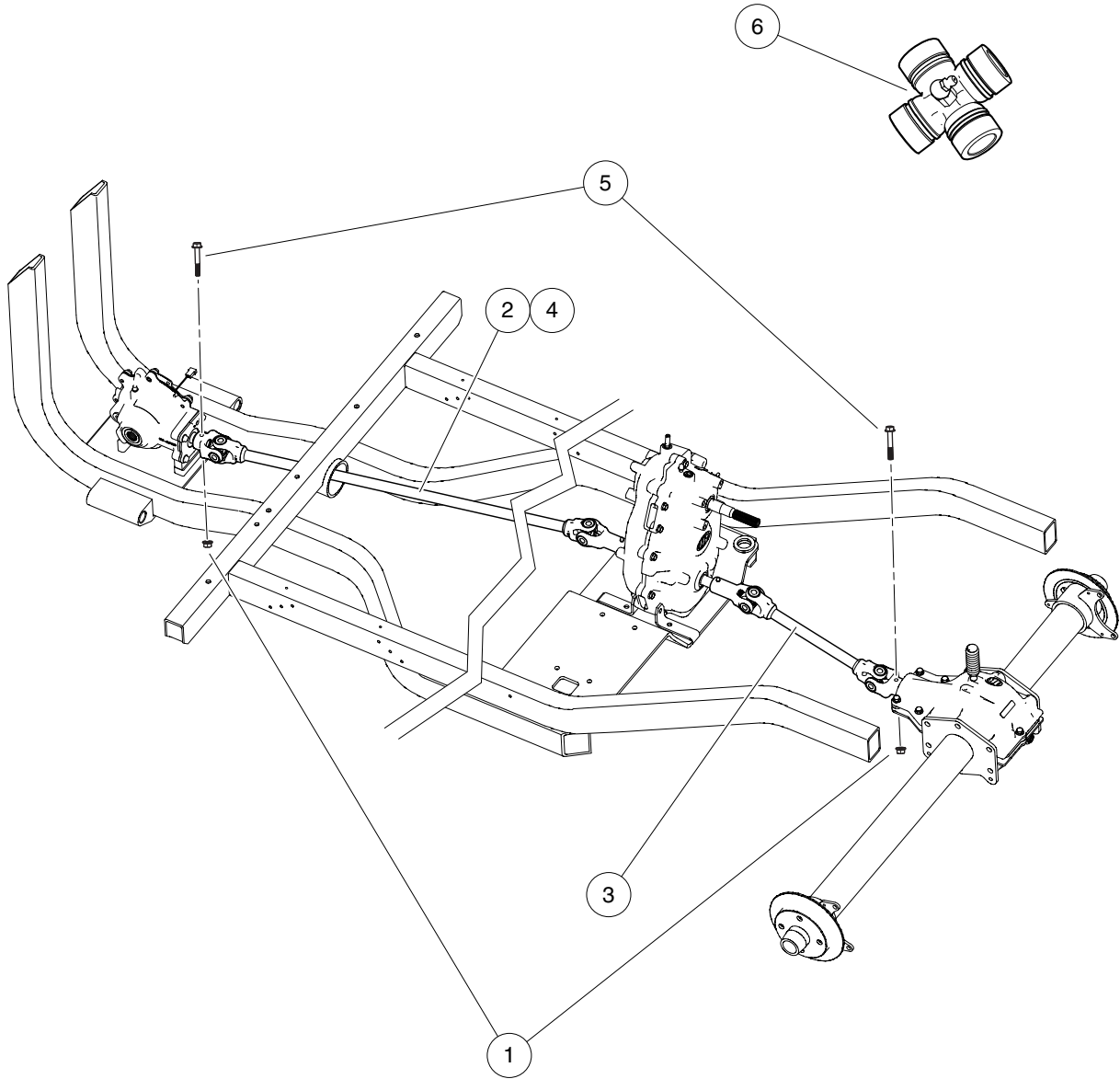
G

D

18

G

D



000091-006

PROP SHAFTS

ITEM	PART NO.	DESCRIPTION	QTY
		1 2 3 4	
1	102298401	Nut,m8,all Metal Lock	2
2	102371701	Prop Shaft, Front, 295/1550	1
3	102372101	Prop Shaft, Rear, 295/295 SE/1550/1550 SE	1
4	102767701	Prop Shaft, Front, 295 SE/1550 SE	1
5	103990201	Bolt, M8 X 1.25 X 50 Hh Cap	2
6	105100901	Kit, Universal Joint Replacement	A/R
		<p>Note: Item 2 is for 81.5 in. (207 cm) wheelbase vehicle only. Item 4 is for 114 in. (289.5 cm) wheelbase vehicle only.</p>	

18

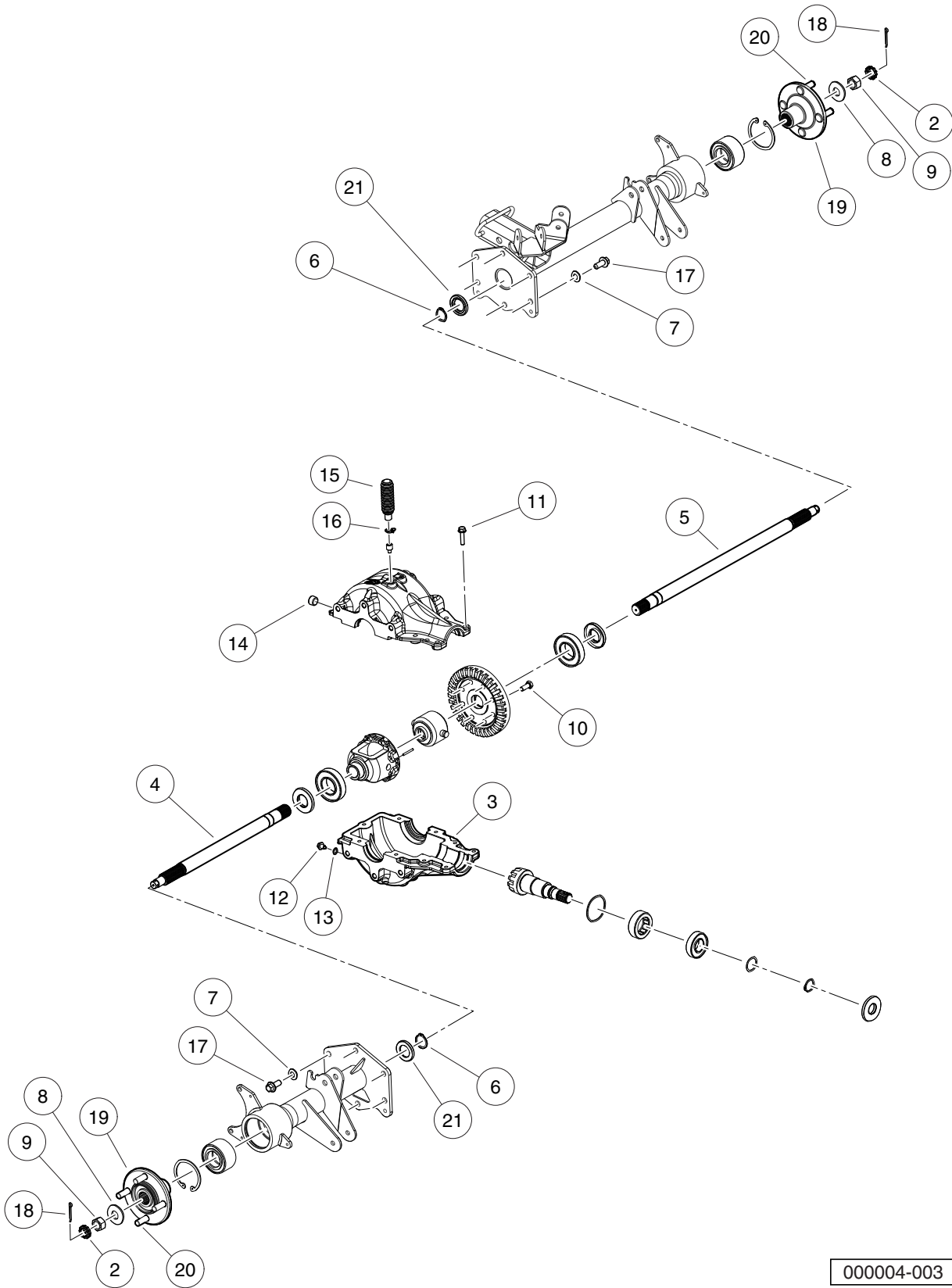
G

D

18

G

D



000004-003

REAR DIFFERENTIAL AND AXLES – PAGE 1 OF 2

ITEM	PART NO.	DESCRIPTION	QTY
		1 2 3 4	
1	103843901	Axle, Rear, Awd, 4link (includes items 2 through 21)	1
2	102276001	Locking Cap, Nut	2
3	102449101	Gearcase, Lower, Machined	1
4	102463501	Axle, Right-hand	1
5	102463601	Axle, Left-Hand	1
6	102463901	Ring, Retaining, External	2
7	102672201	Washer, Belleville, 1.063 X .043	12
8	102672301	Washer, Belleville, 49 X 4	2
9	102672401	Nut, Hex, M20 X 1.5 , Modified	2
10	102693201	Screw, M10 X 25	8
11	102693301	Screw, hex Flange, M8 X 35	9
12	102693401	Plug,3/8-16, Hex Flange	1
13	102693501	Washer, .625 X .382 X .60	1
14	102694201	Plug, Square Skt, 1/12-14, Ptf	1
15	102694301	Bellows, Vent, Upper Housing	1
16	102694401	Clamp, Hose, Dw-9.5	1
17	102694701	Screw, Hex Fl, M12 X 1.75 X 30	12
18	102694801	Pin, Cotter, 5/32 X 1.25	2
19	103146203	Asm, Wheel Hub, Rear, 1550 (includes item 20)	2
20	103951501	Lug Stud, 1/2-20 UNF, SAE J1102	4
21	103879501	Washer, C-bored 60.5 X 30.3	2

18

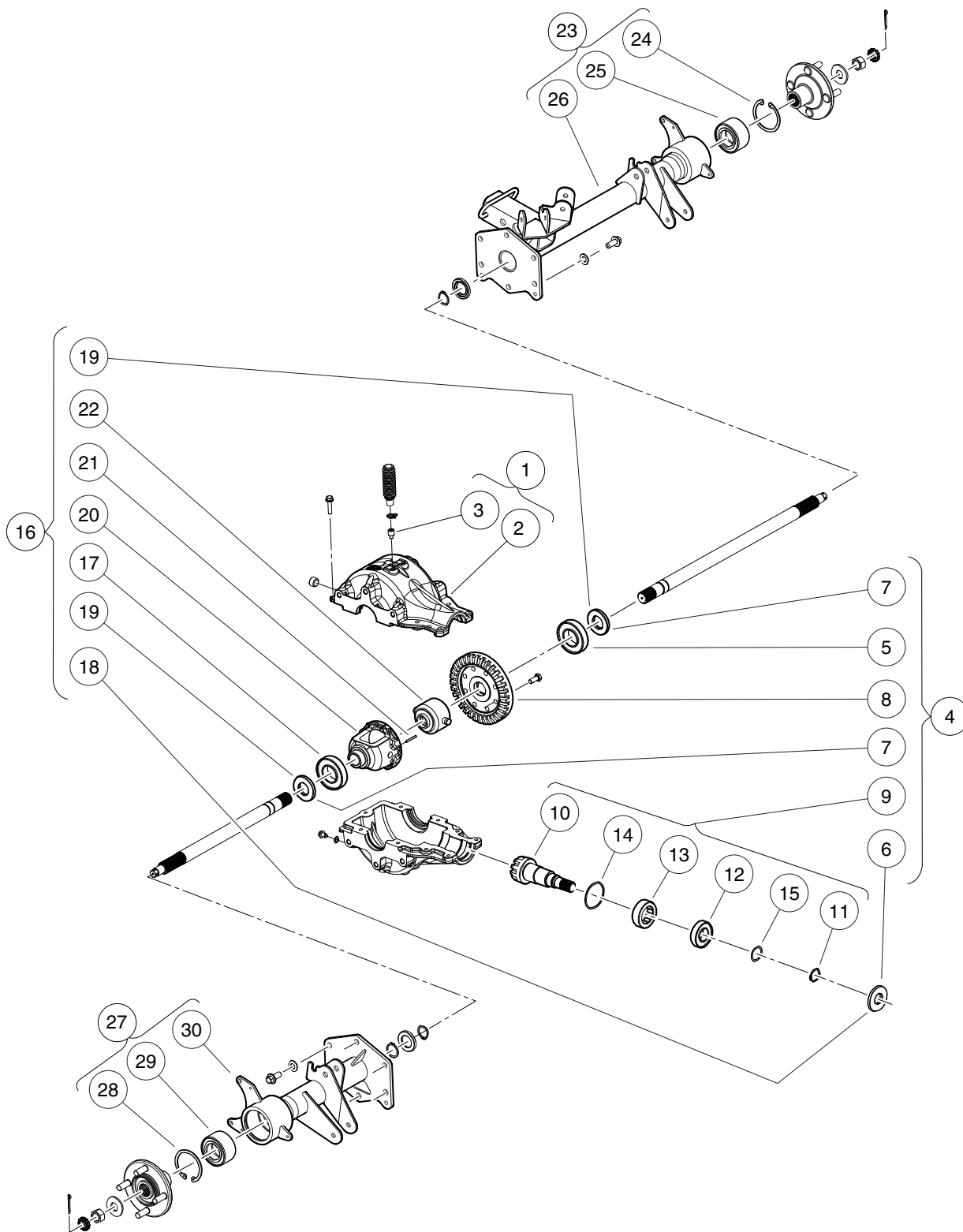
G

D

18

G

D



000004-004

REAR DIFFERENTIAL AND AXLES – PAGE 2 OF 2

ITEM	PART NO.	DESCRIPTION	QTY
		1 2 3 4	
1	102765301	Asm, Gearcase, Upper (includes items 2 and 3)	1
2	N/A	Gearcase, Upper, Machined	1
3	102694001	Vent, Top, Upper Housing	1
4	102765801	Kit, Rear Axle Gear Repair (includes items 5 through 9)	1
5	102464201	Bearing, Ball	1
6	102464401	Seal, Dual-Lip 25x 62x 7tc	1
7	102464501	Seal, Dual-Lip 30x 62x 8tc	2
8	102762601	Gear, Ring, 33-Tooth	1
9	102765701	Asm, Pinion W/ Bearings (includes items 10 through 15)	1
10	102463101	Pinion, 10t Machined	1
11	102463901	Ring, Retaining, External	1
12	102464001	Bearing, Ball	1
13	102464101	Bearing, Needle, Drawn Shell	1
14	102693601	Washer, 2.625 X 2.367 X .06	1
15	102694502	Shim, 1.50 X 1.189 X .008	1
16	103871801	Asm, Carrier, Etched Locker (includes items 17 through 22)	1
17	102464201	Bearing, Ball	1
18	102464401	Seal, Dual-Lip 25x 62x 7tc	1
19	102464501	Seal, Dual-Lip 30x 62x 8tc	2
20	102961301	Housing, Differential, Mach	1
21	102961401	Pin, Dowel, 4 X 35	1
22	N/A	Asm, Locker, Nongrease/Spacers	1
23	103922801	Assy, Axle Tube, Rear, LH (includes items 24 through 26)	1
24	102463801	Ring, Retaining, Internal	1
25	102464301	Bearing	1
26	103868201	Weldment, Axle Tube, LH, 4-Link Susp	1
27	103922901	Assy, Axle Tube, Rear, RH (includes items 28 through 30)	1
28	102463801	Ring, Retaining, Internal	1
29	102464301	Bearing	1
30	103868301	Weldment, Axle Tube, RH, 4-Link Susp	1

18

G

D

18

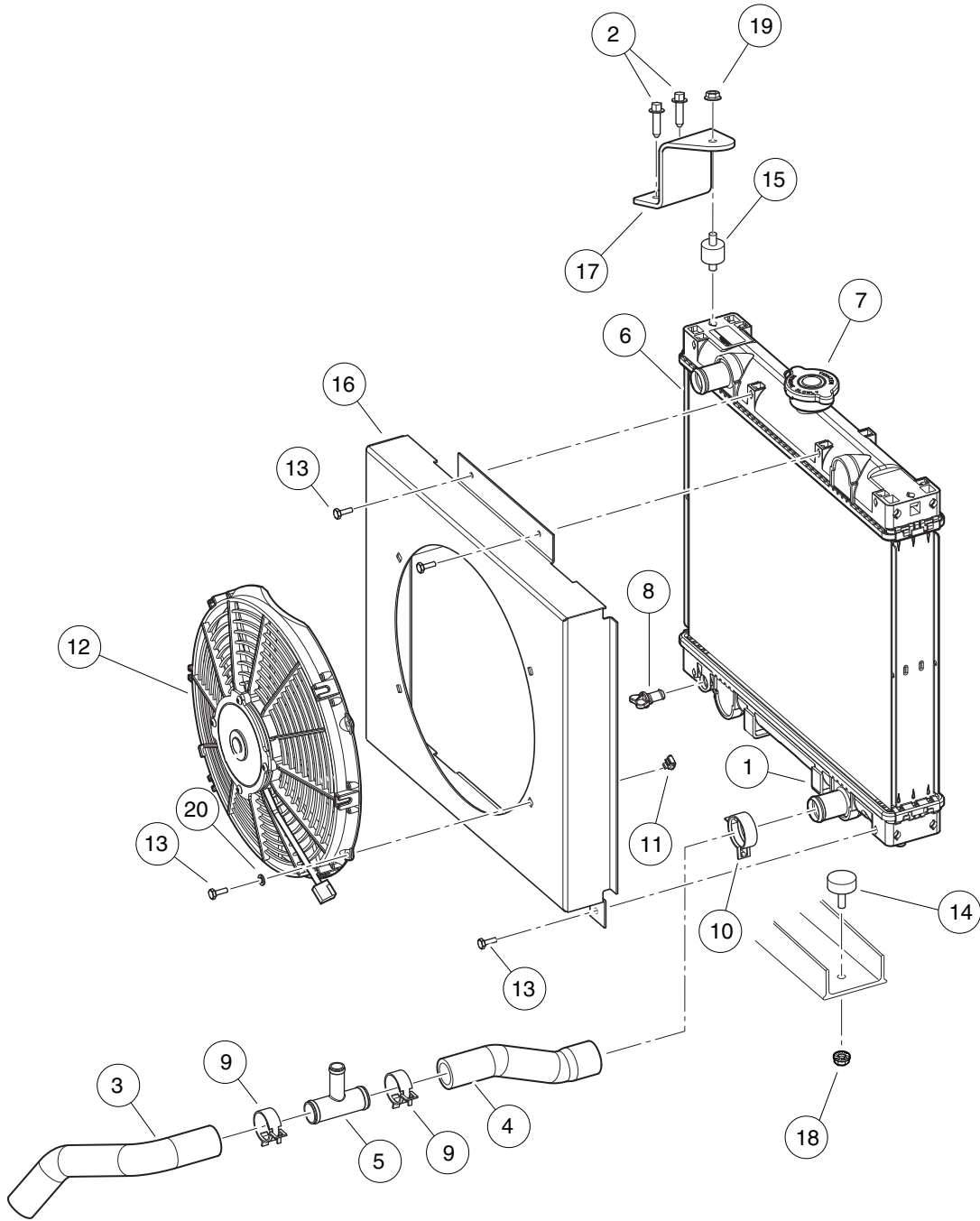
G

D

RADIATOR AND COOLANT SYSTEM – DIESEL VEHICLES

19

D



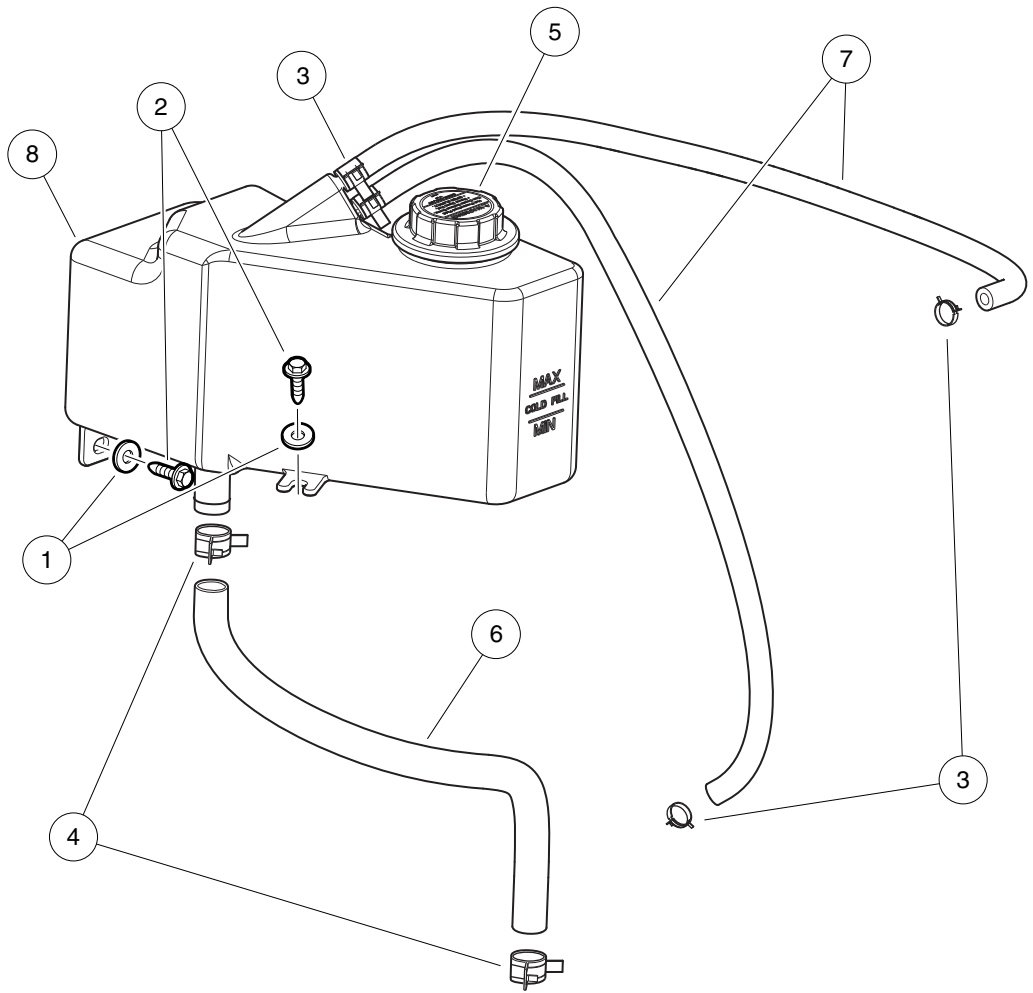
000541-002

RADIATOR

19

D

ITEM	PART NO.	DESCRIPTION	QTY
		1 2 3 4	
1	1014471	Tape, Vinyl Foam 1/8" x 3/4"	1
2	102289001	Screw, M8X1.25X30, Hex	4
3	102377801	Hose, Coolant Lower Pipe	1
4	102377901	Hose, Coolant Lower Rad	1
5	102380301	Tee, Coolant Fill	1
6	102410301	Radiator (includes items 7 and 8)	1
7	102737301	Cap, Radiator	1
8	N/A	Drain Cock, Radiator	1
9	102411207	Clamp, Hose, Ctb 35mm	2
10	102411208	Clamp, Hose, Ctb 38mm	1
11	102411301	Nut, Self Retaining	4
12	102436701	Fan, Cooling 12 In Elect	1
13	102490301	Bolt, M6 X 1 X 16, Loctite	8
14	102684901	Bumper, 19mm Stud	2
15	102685001	Isolator, Twin-Stud	2
16	102855501	Shroud, Radiator Fan	1
17	102946701	Bracket, Radiator Support	2
18	96704176	Nut, Flanged, M6 X 1, Serrated	2
19	96704416	Nut, Flange, M8 X 1.25 Serrated	2
20	96705199	Washer, M6	4



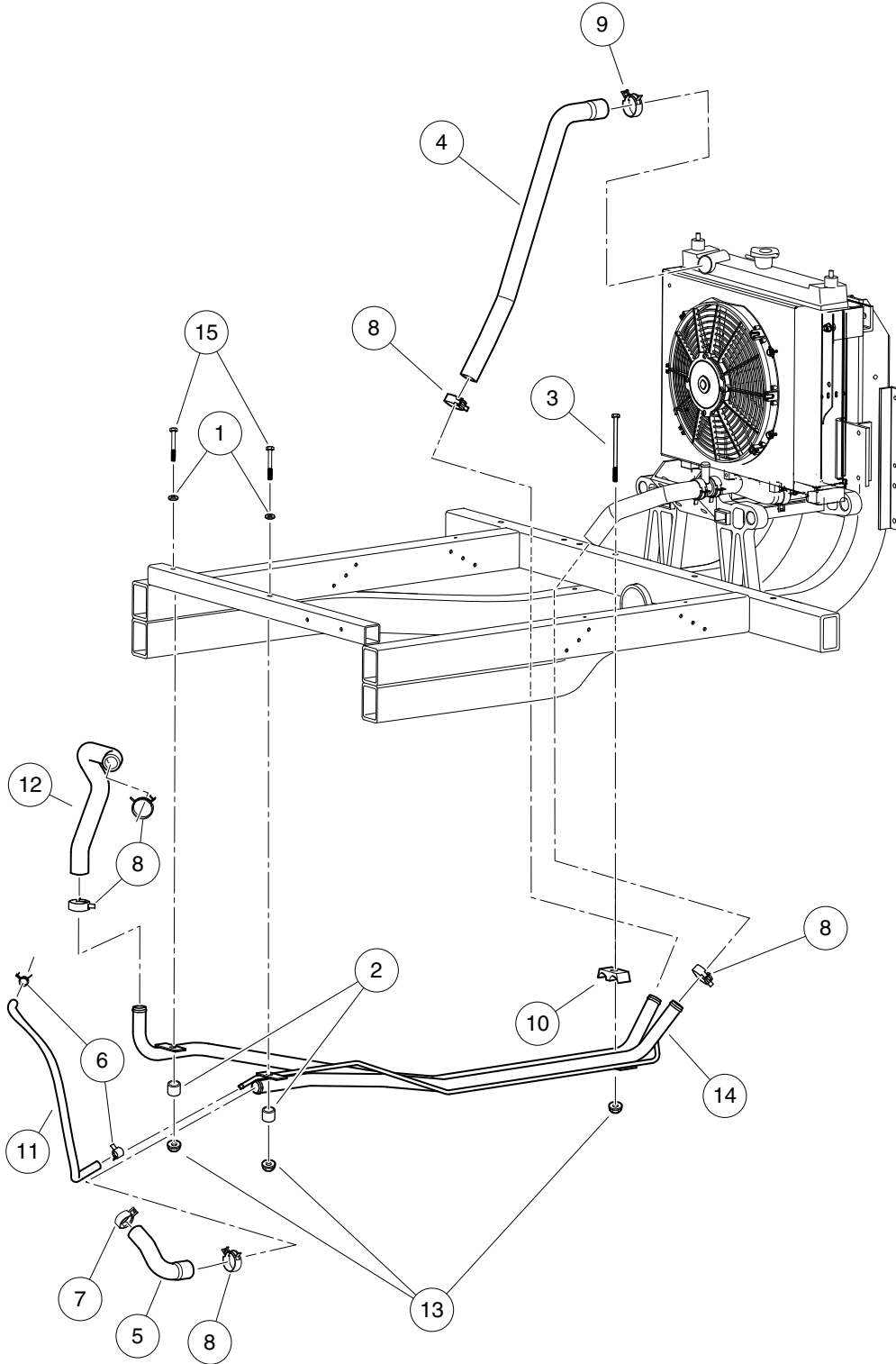
000540-003

COOLANT EXPANSION TANK

ITEM	PART NO.	DESCRIPTION	QTY
		1 2 3 4	
1	1011578	Washer, 5/16 Type B Flat	2
2	102298720	Screw, M8-1.25x20, Taptite	2
3	102411204	Clamp, Hose, CTB 15mm	4
4	102411205	Clamp, Hose, CTB 22mm	2
5	102427501	Cap, Radiator	1
6	102807601	Hose, Coolant, 5/8 SAE J20r3 Bulk	2
7	102807801	Hose, Coolant, 5/16 SAE J20r3 Bulk	8
8	102973201	Bottle, Coolant	1
Note: For hoses (items 6 and 7), quantity shown is length in feet per vehicle.			

19

D



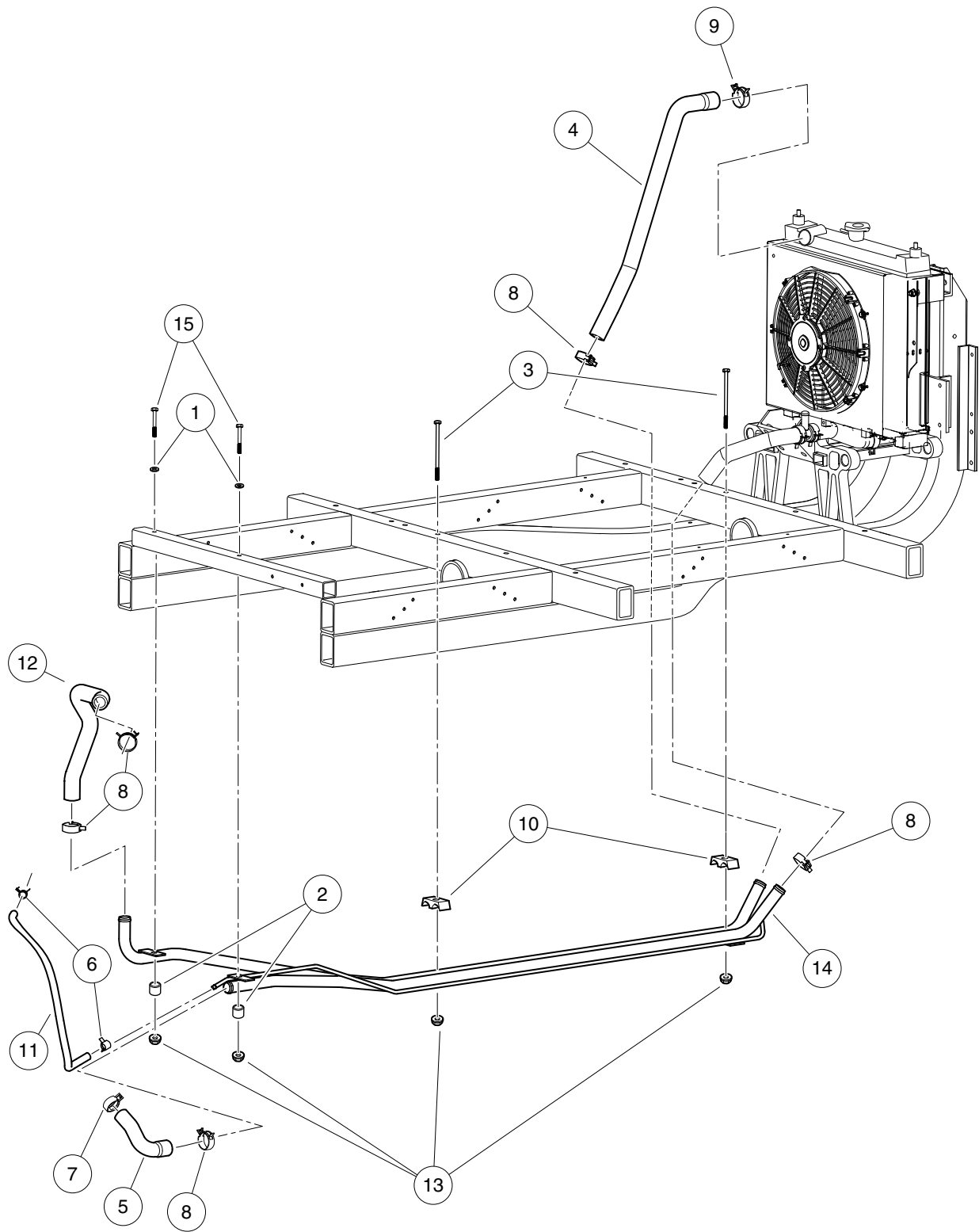
000079-004

COOLANT PIPES, CLAMPS, HOSES AND HARDWARE, 2-PASSENGER

ITEM	PART NO.	DESCRIPTION	QTY
		1 2 3 4	
1	1011578	Washer, 5/16 Type B Flat	2
2	1015457	Spacer, 0.720"	2
3	102288901	Bolt, Hex, M8x1.25 X 135	1
4	102377501	Hose, Coolant Upper Rad	1
5	102377601	Hose, Coolant Lower Eng	1
6	102411204	Clamp, Hose, CTB 15mm	2
7	102411206	Clamp, Hose, Ctb 30mm	1
8	102411207	Clamp, Hose, Ctb 35mm	5
9	102411208	Clamp, Hose, Ctb 38mm	1
10	102427601	Clamp, Bar	1
11	102435001	Hose, Vent Tube To Eng, Coolnt	1
12	102480501	Hose, Coolant, Return, Engine	1
13	102618601	Lock Nut, Flange, M8 X 1.25 Nylon	3
14	102628701	Coolant Pipe Assembly, 2-passenger	1
15	103423701	Bolt, M8 X 1.25 X 110	2

19

D



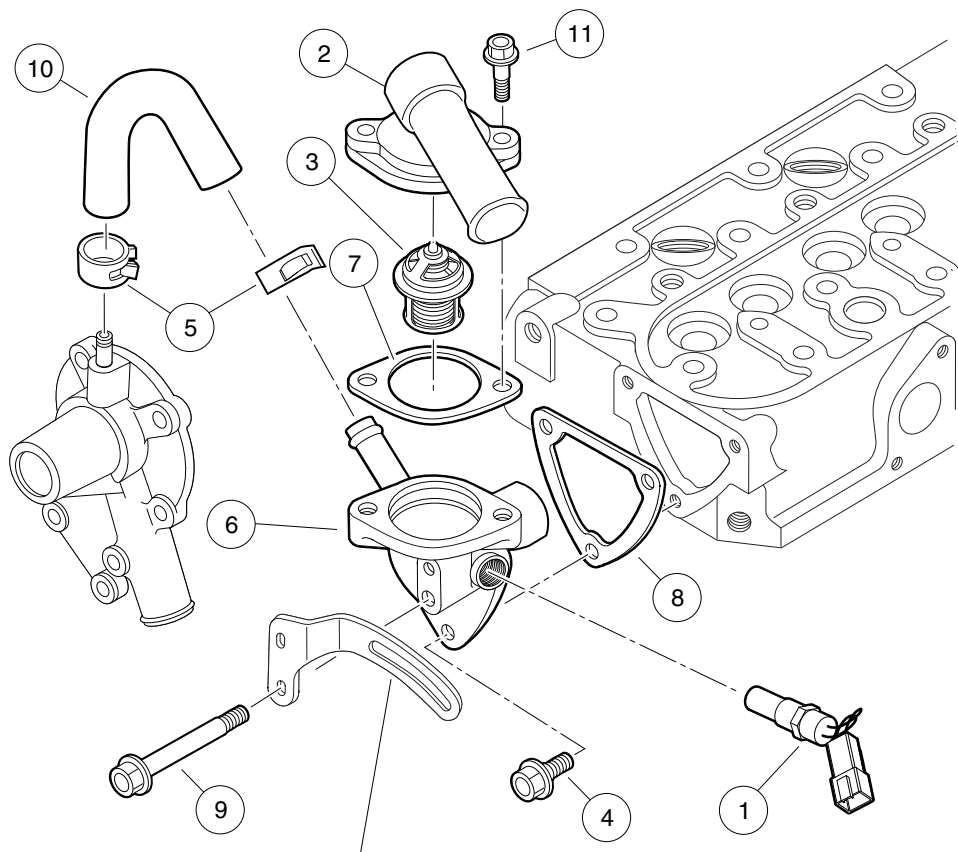
000079-005

COOLANT PIPES, CLAMPS, HOSES AND HARDWARE, 4-PASSENGER

ITEM	PART NO.	DESCRIPTION	QTY
		1 2 3 4	
1	1011578	Washer, 5/16 Type B Flat	2
2	1015457	Spacer, 0.720"	2
3	102288901	Bolt, Hex, M8x1.25 X 135	2
4	102377501	Hose, Coolant Upper Rad	1
5	102377601	Hose, Coolant Lower Eng	1
6	102411204	Clamp, Hose, CTB 15mm	2
7	102411206	Clamp, Hose, Ctb 30mm	1
8	102411207	Clamp, Hose, Ctb 35mm	5
9	102411208	Clamp, Hose, Ctb 38mm	1
10	102427601	Clamp, Bar	2
11	102435001	Hose, Vent Tube To Eng, Coolnt	1
12	102480501	Hose, Coolant, Return, Engine	1
13	102618601	Lock Nut, Flange, M8 X 1.25 Nylon	4
14	102767601	Coolant Pipe Assembly, 4-passenger	1
15	103423701	Bolt, M8 X 1.25 X 110	2

19

D



For bracket, see
Alternator pages
in the Diesel Engine
section

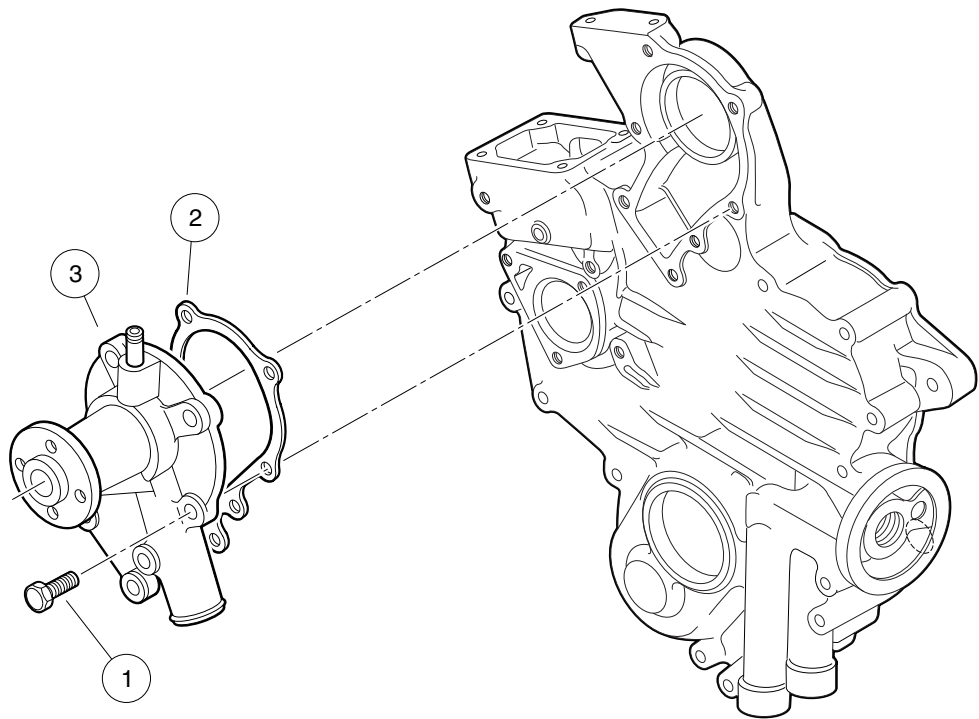
000059-002

WATER FLANGE AND THERMOSTAT

ITEM	PART NO.	DESCRIPTION	QTY
		1 2 3 4	
1	102410001	Sensor, Coolant Temp	1
2	102631301	Cover, Thermostat	1
3	102631401	Thermostat	1
4	102631601	Bolt, M6 X 1 X 20	2
5	102633001	Band, Pipe	2
6	102633201	Flange, Water	1
7	102633401	Gasket, Thermostat	1
8	102654701	Gasket, Water Flange	1
9	102730901	Bolt, Alt, D722, Stay Lower	1
10	102731001	Pipe, Water Return, D722	1
11	102731101	Bolt, D722, Thermostat Cover	2

19

D



000060-001

WATER PUMP

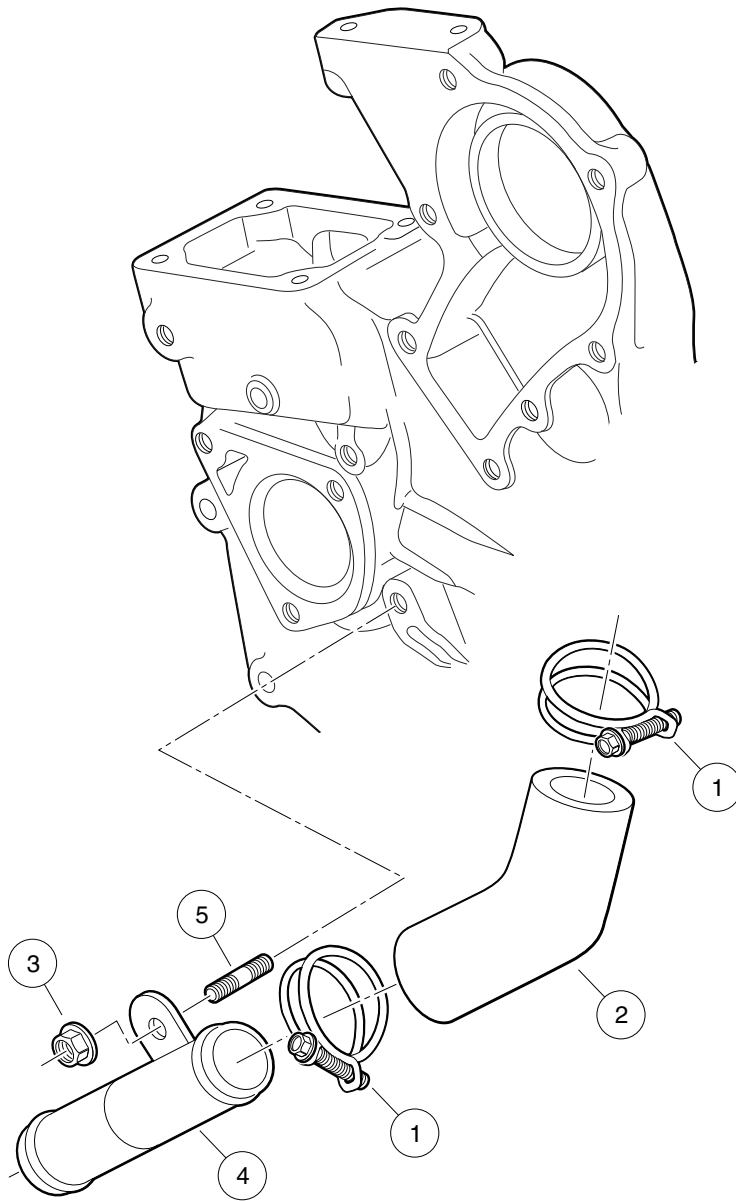
ITEM	PART NO.	DESCRIPTION	QTY
		1 2 3 4	
1	102608701	Bolt, M6 X 1 X 22	4
2	102632701	Gasket, Water Pump, D722	1
3	102731201	Water Pump Assembly	1

19

D

19

D



000061-001

BLOCK COOLANT PIPE

ITEM	PART NO.	DESCRIPTION	QTY
		1 2 3 4	
1	102631701	Band, Pipe, with Nut	2
2	102631801	Hose, Coolant	1
3	102632001	Nut, Flange, M6	1
4	102632101	Pipe, Coolant	1
5	102632201	Stud, M6 X 15	1

19

D

19

D

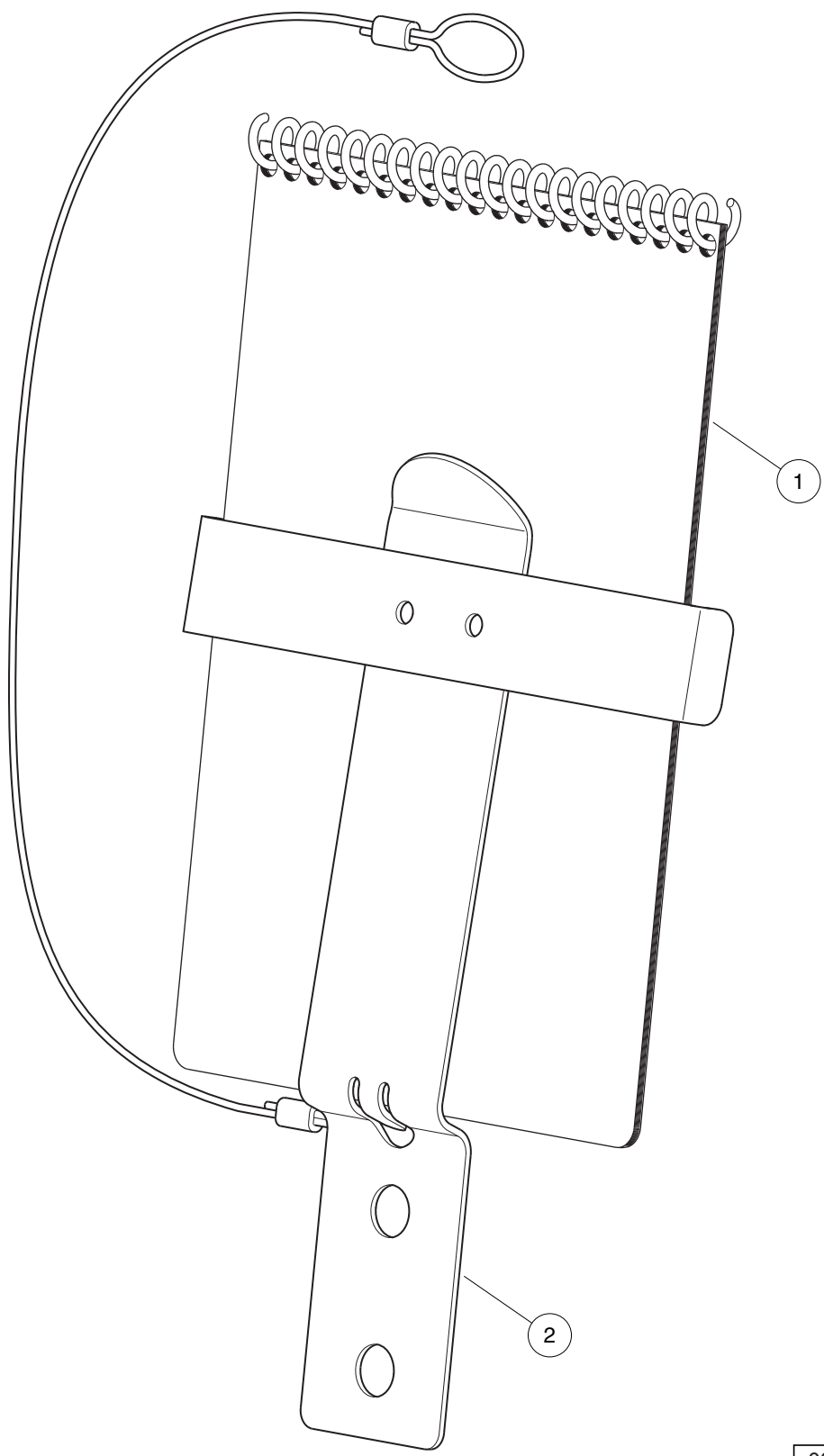
HYDRAULIC ATTACHMENT SYSTEM AND ACCESSORIES

20

D

20

D



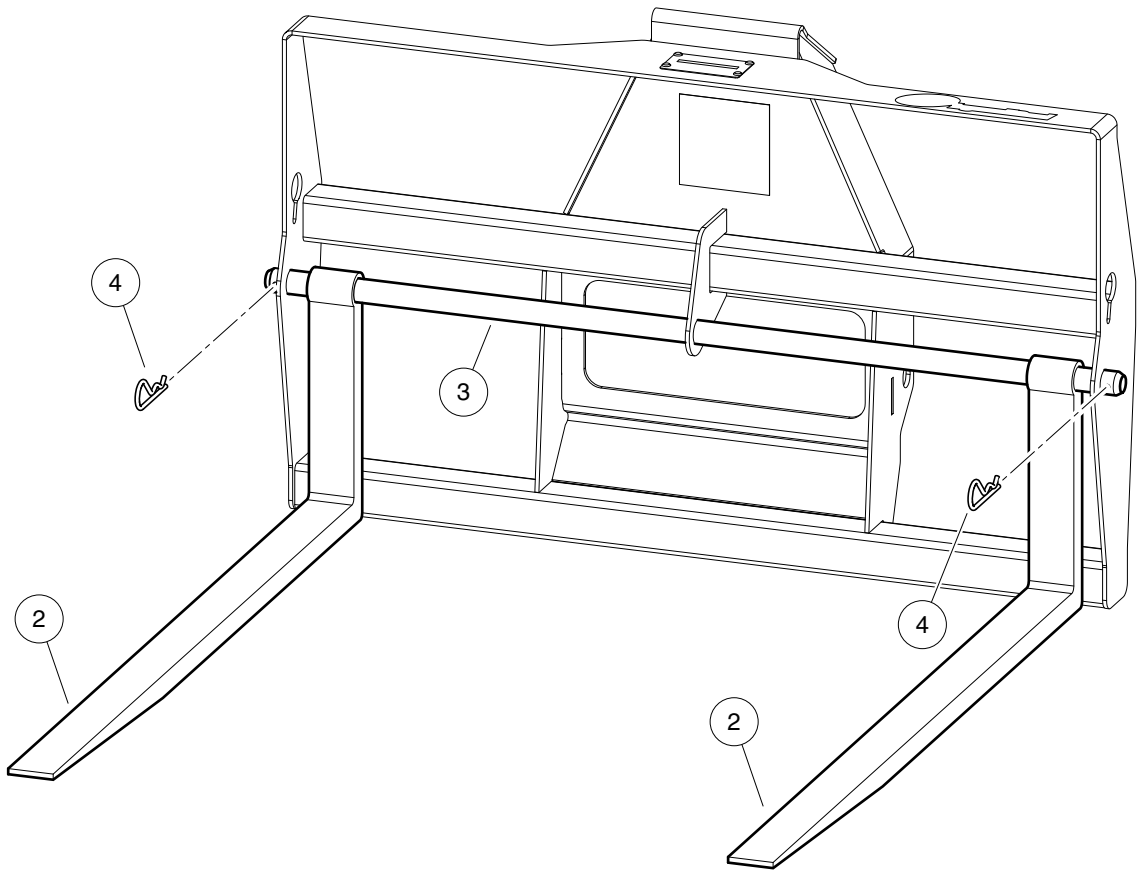
000558-002

HANDBOOK

ITEM	PART NO.	DESCRIPTION	QTY
1	103237501	1 2 3 4 Handbook, Operator, Club Car	1
2	103237701	Weldment, Clip, Handbook	1

20

D



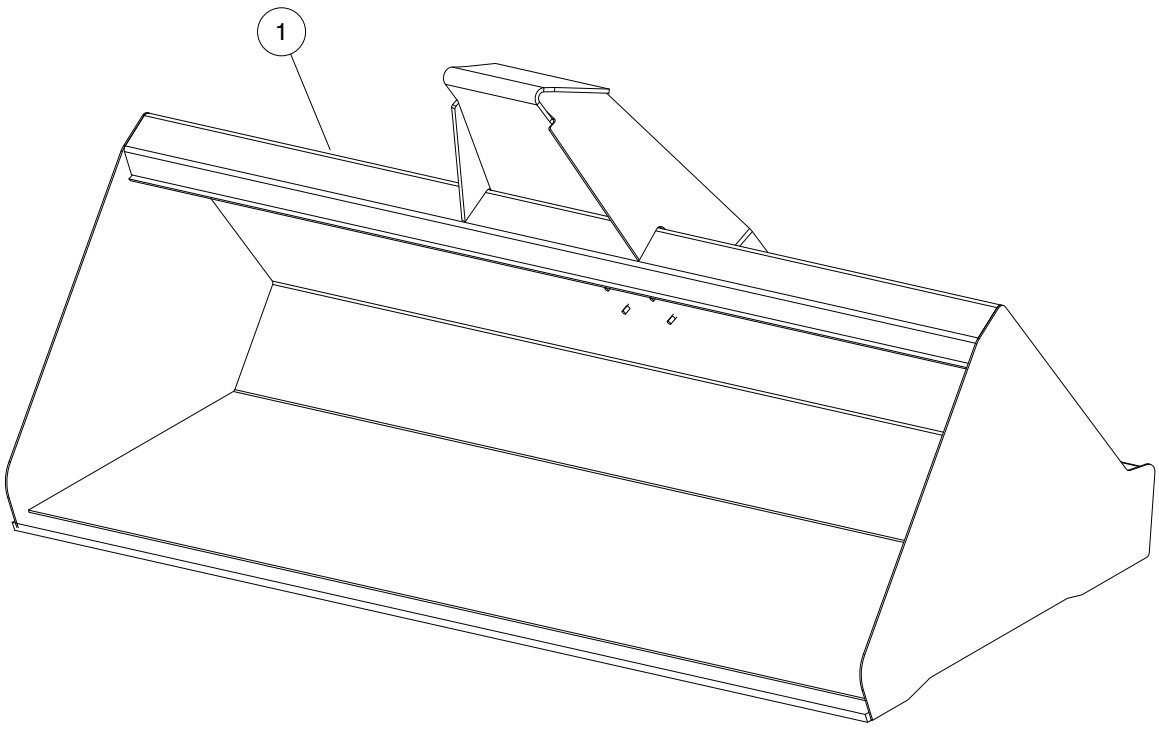
000555-001

ATTACHMENT – PALLET FORK

ITEM	PART NO.	DESCRIPTION	QTY
		1 2 3 4	
1	102930001	Attachment, Fork, Pallet (includes items 2 through 4)	1
2	102927201	Pallet Fork	2
3	102927301	Bar, Fork Mount	1
4	102927401	Pin, Hair	2

20

D



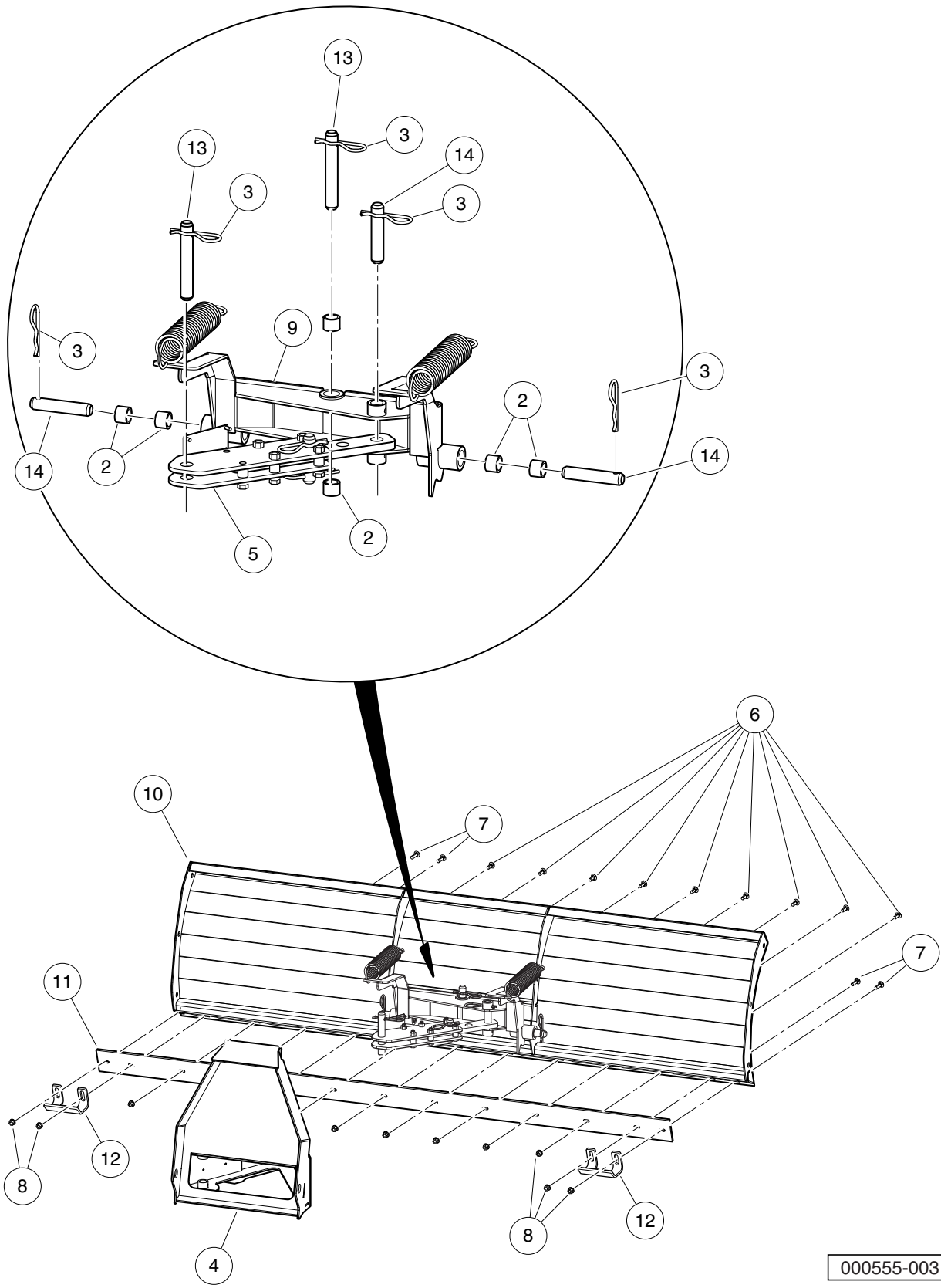
000555-002

ATTACHMENT – BUCKET

ITEM	PART NO.	DESCRIPTION	QTY
1	102930101	<div style="display: flex; justify-content: space-between; margin-bottom: 5px;"> 1 2 3 4 </div> Attachment, Bucket	1

20

D



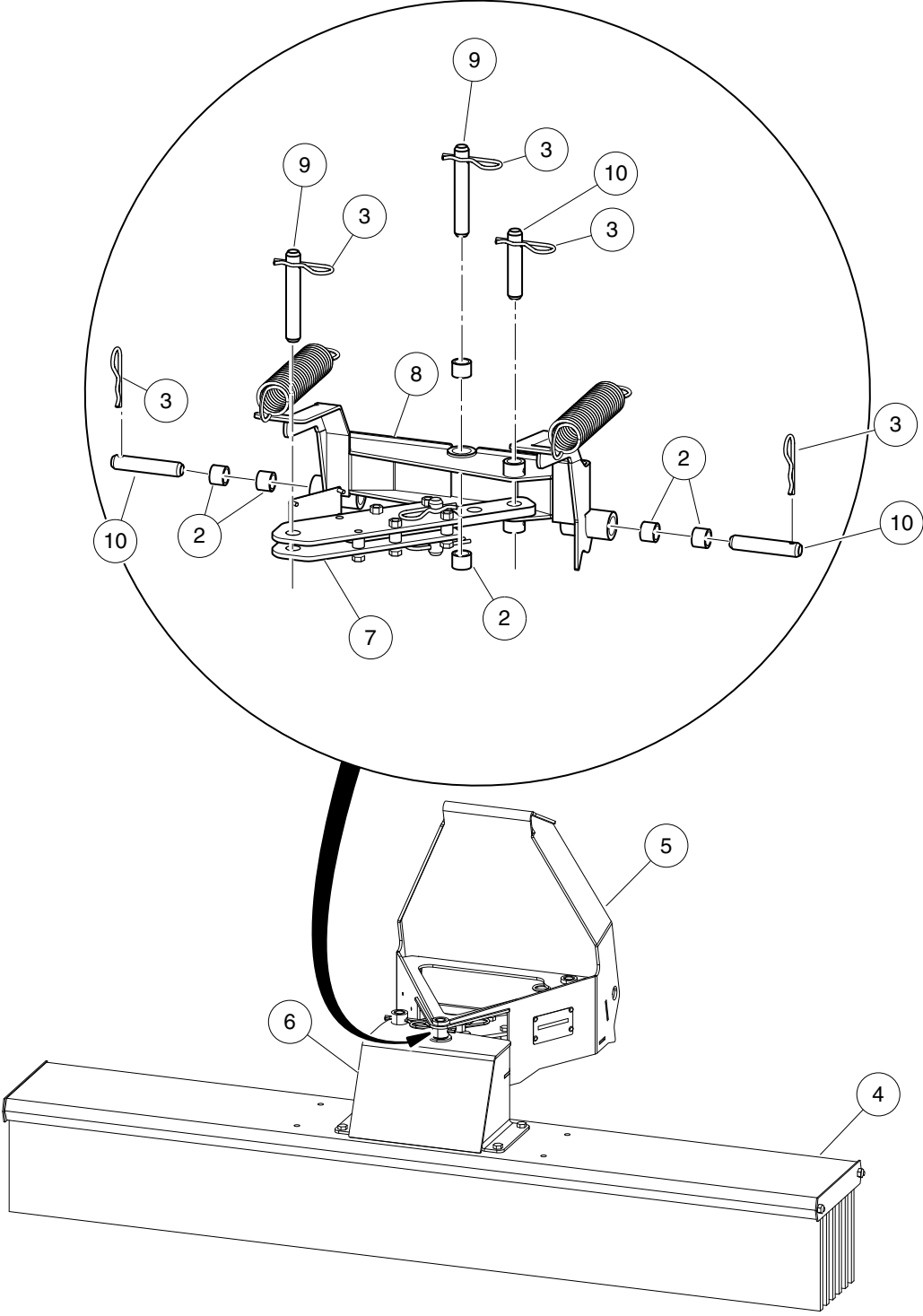
000555-003

ATTACHMENT – SNOW BLADE

ITEM	PART NO.	DESCRIPTION	QTY
		1 2 3 4	
1	102930201	Attachment, Blade, Snow (includes items 2 through 14)	1
2	102926601	Bearing, Fiber, -12	6
3	102927401	Pin, Hair	5
4	102929601	Weldment, Mount, Angle	1
5	N/A	Asm, Adjust, Manual	1
6	103243001	Bolt, Carriage	9
7	103243101	Bolt, Carriage	4
8	103243201	Nut, Pretrq, Hex Lock	13
9	103243501	Weldment, Head, Angle	1
10	103243601	Weldment, Blade, Snow	1
11	103243701	Edge, Cutting	1
12	103243801	Shoe, Skid	2
13	103243901	Pin, 5 In	2
14	103244001	Pin, 3.9 In	3

20

D



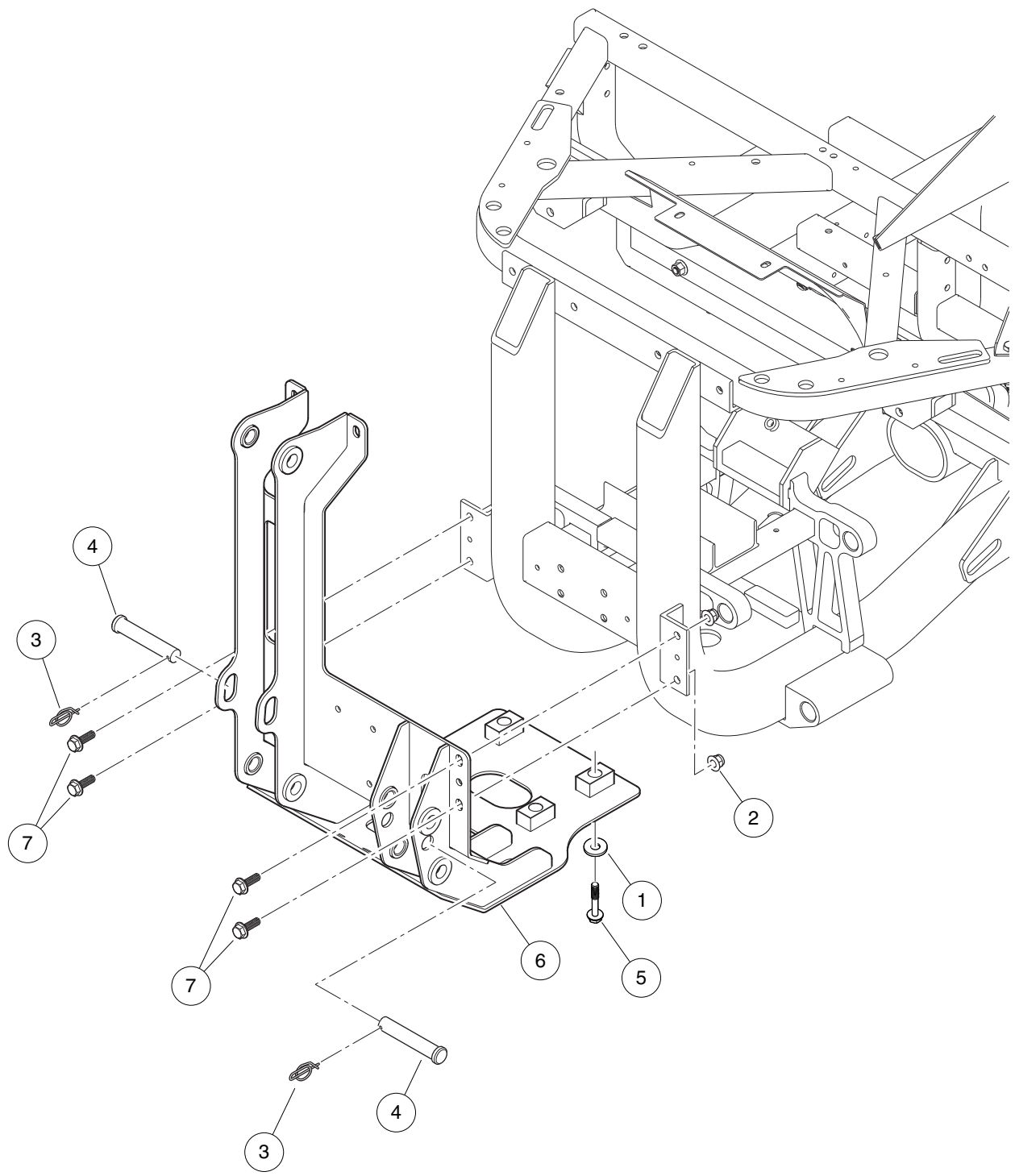
000555-004

ATTACHMENT – BROOM

ITEM	PART NO.	DESCRIPTION	QTY
		1 2 3 4	
1	102930301	Attachment, Broom, Push (includes items 2 through 10)	1
2	102926601	Bearing, Fiber, -12	6
3	102927401	Pin, Hair	5
4	102929501	Broom, Whisker, 60 In	1
5	102929601	Weldment, Mount, Angle	1
6	102929701	Wldmnt, Mount, Whisker	1
7	N/A	Asm, Adjust, Manual	1
8	103243501	Weldment, Head, Angle	1
9	103243901	Pin, 5 In	2
10	103244001	Pin, 3.9 In	3

20

D



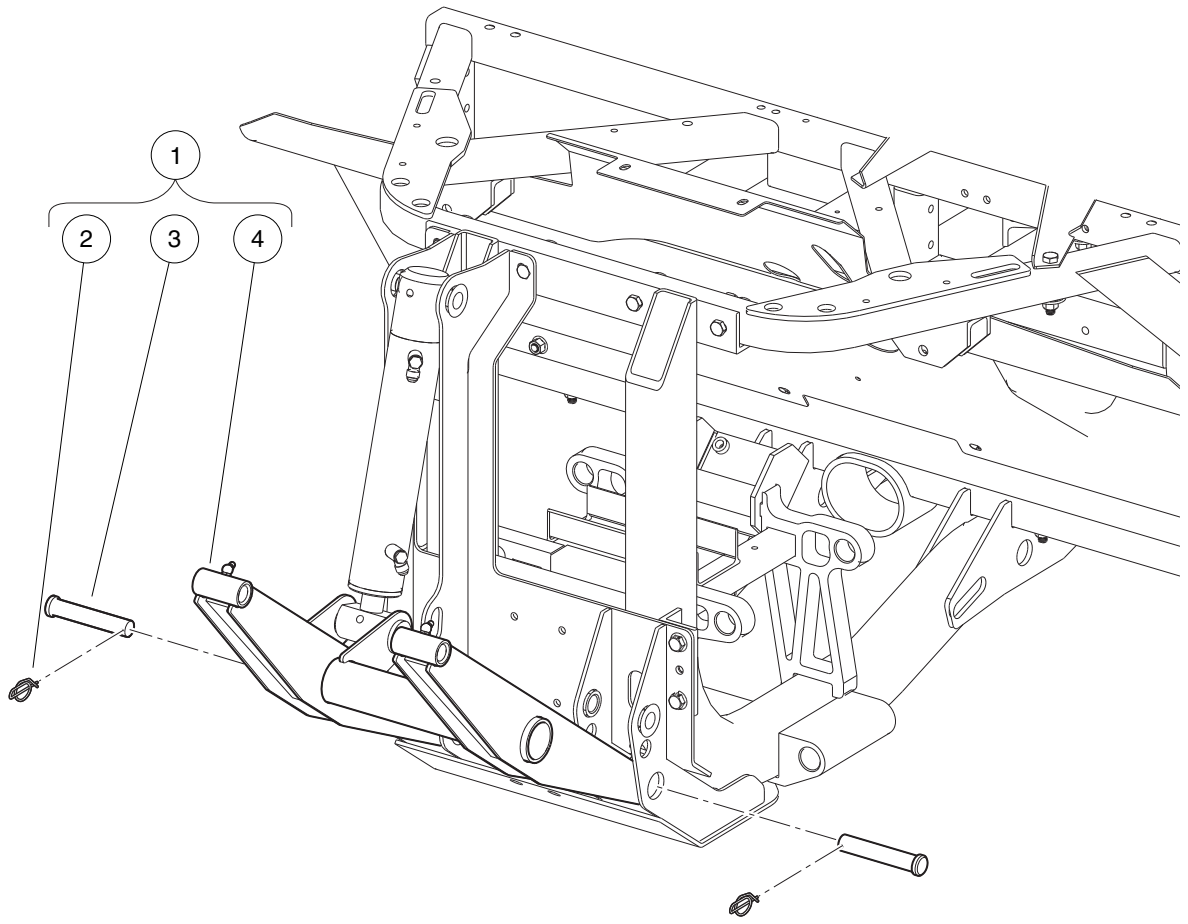
000552-002

ACCESSORY MOUNTING WELDMENT

ITEM	PART NO.	DESCRIPTION	QTY
		1 2 3 4	
1	102491501	Washer, Hard, M10	4
2	102670701	Nut, Flange, M10 X 1.5 Nylon	4
3	102786101	Ring, Rue, 3/4, Heavy	2
4	102921601	Pin, Clevis, 3/4 X 4	2
5	102925201	Bolt, Flg, M10x1.5x55, Patch	4
6	103355401	Weldment, Front Mount	1
7	96727003	Bolt Flg, M10 X 1.5 X 30	4

20

D



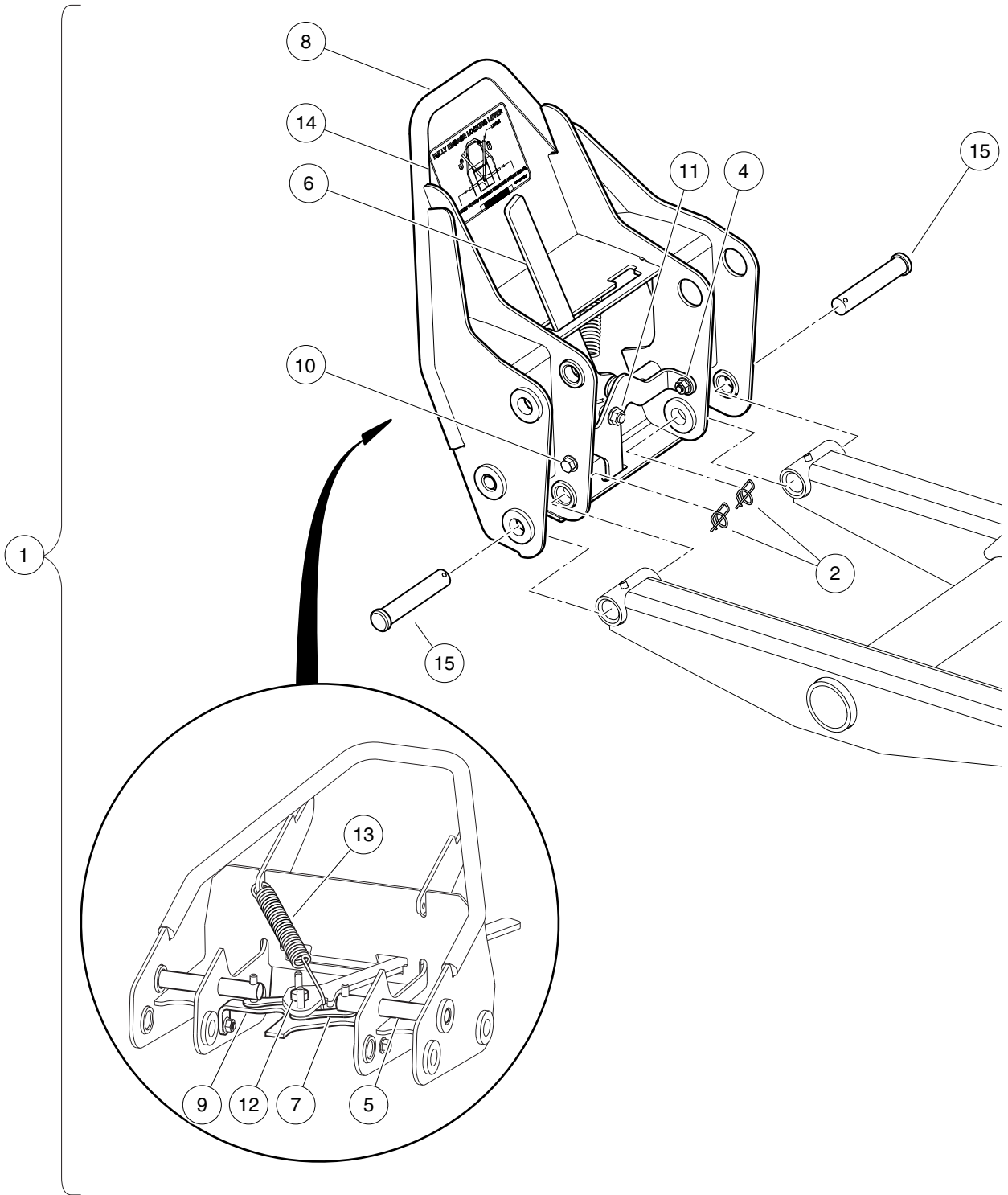
000786-001

ATTACHMENT ARM KIT

ITEM	PART NO.	DESCRIPTION	QTY
		1 2 3 4	
1	102923201	Kit, Arm, Attachment (includes items 2 through 4)	1
2	102786101	Ring, Rue, 3/4, Heavy	2
3	102921601	Pin, Clevis, 3/4 X 4	2
4	102923401	Asm, Arm, Attachment	1

20

D



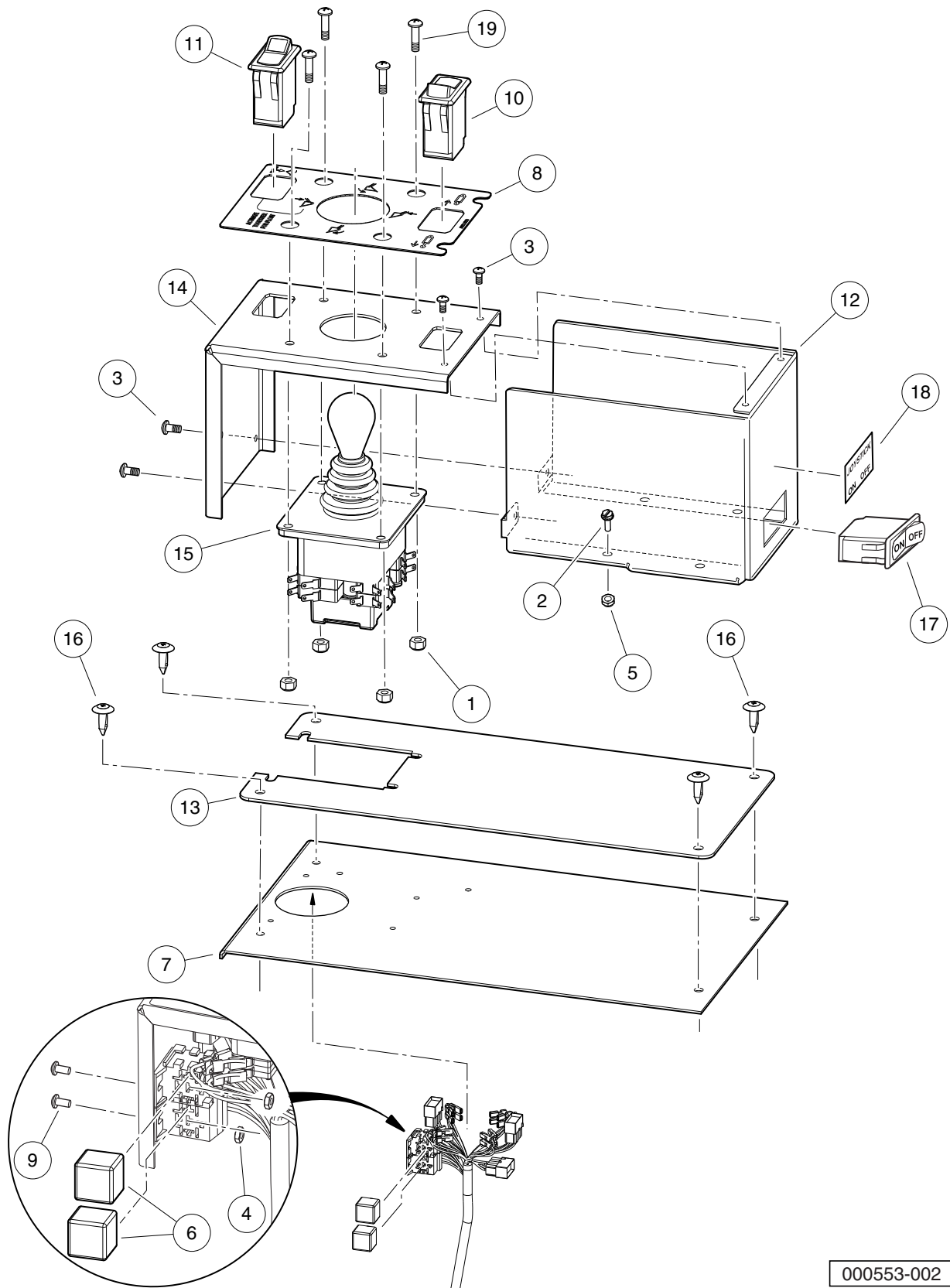
000787-002

ATTACHMENT INTERFACE

ITEM	PART NO.	DESCRIPTION	QTY
		1 2 3 4	
1	102923301	Kit, Interface, Attachment (includes items 2 through 15)	1
2	102786101	Ring, Rue, 3/4, Heavy	2
3	102789001	Asm, Interface, Attachment (includes items 4 through 14)	1
4	102617001	Nut Flg, M8 X 1.25 Mech Def	2
5	102789101	Pin, Latch	2
6	102789201	Lever, Release	1
7	102789301	Link, Chain 2080	2
8	N/A	Interface, Attachment	1
9	102790001	Brace, Cross	1
10	102790801	Bolt Flg, M8 X 1.25 X 20	2
11	102790901	Nut, Flg, 3/8-16 Gr8	1
12	102791001	Screw, Shoulder Hex Skt	1
13	102791301	Spring, Ext, Interface	1
14	N/A	Decal, Attachment Locking	1
15	102921601	Pin, Clevis, 3/4 X 4	2

20

D



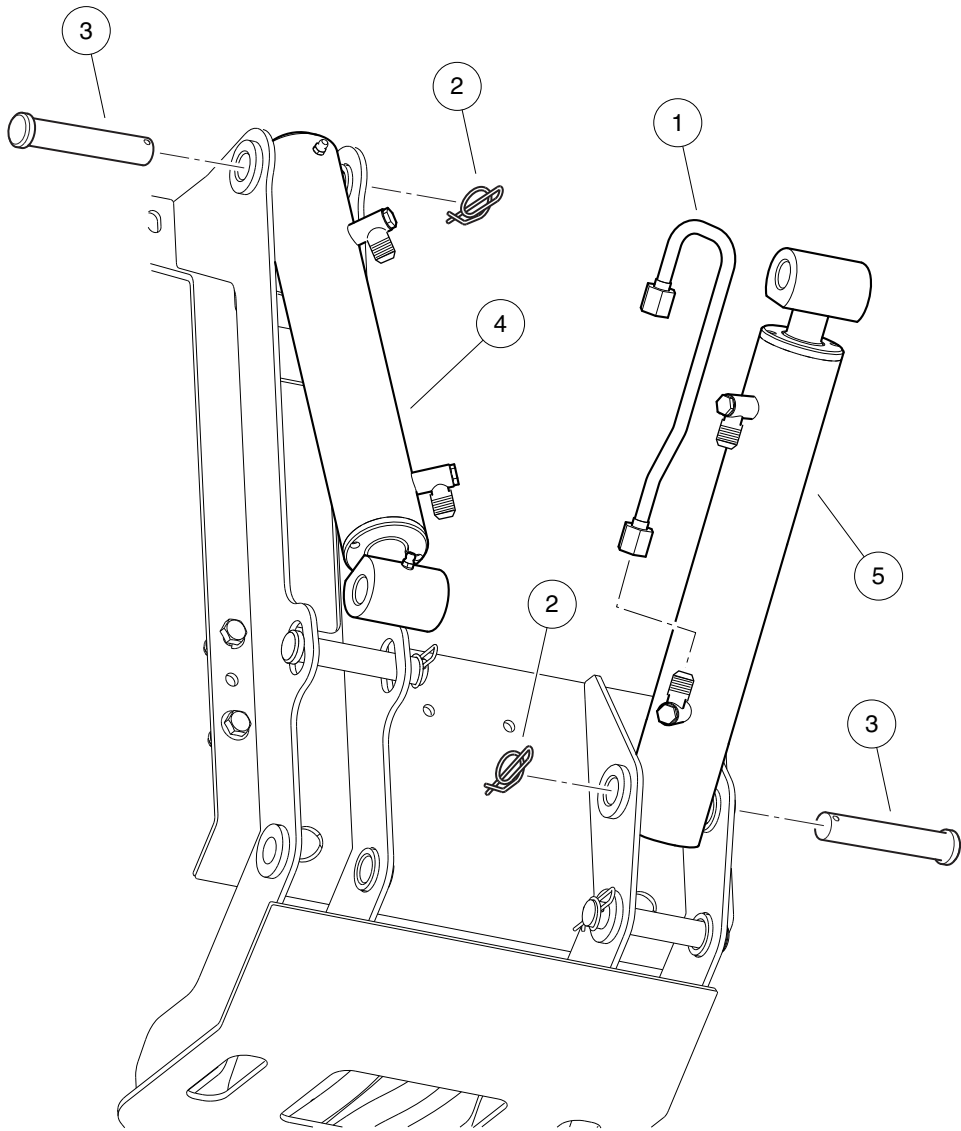
000553-002

HYDRAULIC CONTROLS

ITEM	PART NO.	DESCRIPTION	QTY
		1 2 3 4	
1	1012438	Locknut, #10-24 Nylon Insert	4
2	1015720	Screw, #6-32 X 1/2 Hex Washer-Head	4
3	1016103	Screw, Pan Hd Tx, Taptite 6-32	4
4	1017	Nut, #10-24 Stainless-Steel Hex Machine	2
5	101932201	Locknut, #6-32 Nylon	4
6	102420201	Relay, Mini ISO, SPDT	2
7	102442001	Pan, Center, Closeout	1
8	102849801	Decal, Controls, Bt	1
9	102850501	Screw, Phillips Pn Hd	2
10	102854401	Switch, Rocker, Sealed, DPDT Momentary	1
11	102854501	Switch, Rocker, Sealed, SPDT, Lighted	1
12	102854601	Base, Control Box, Joystick	1
13	102854801	Console, Center, Insulator	1
14	102854901	Cover, Control Box, Joystick	1
15	102918501	Joystick, 4 Way, W/ Boot	1
16	102967901	Rivet, Removable, Tuflok 1/4"	4
17	103215201	Switch, Rocker, Svr, On-off	1
18	103319901	Decal, Joystick, On Off	1
19	1631	Screw, #10-24 X 0.75 Phillips Pan-Head	4
20	8990	Tie Wrap, 8" Nylon	8
Note: Item 20, Tie Wrap, not shown.			

20

D



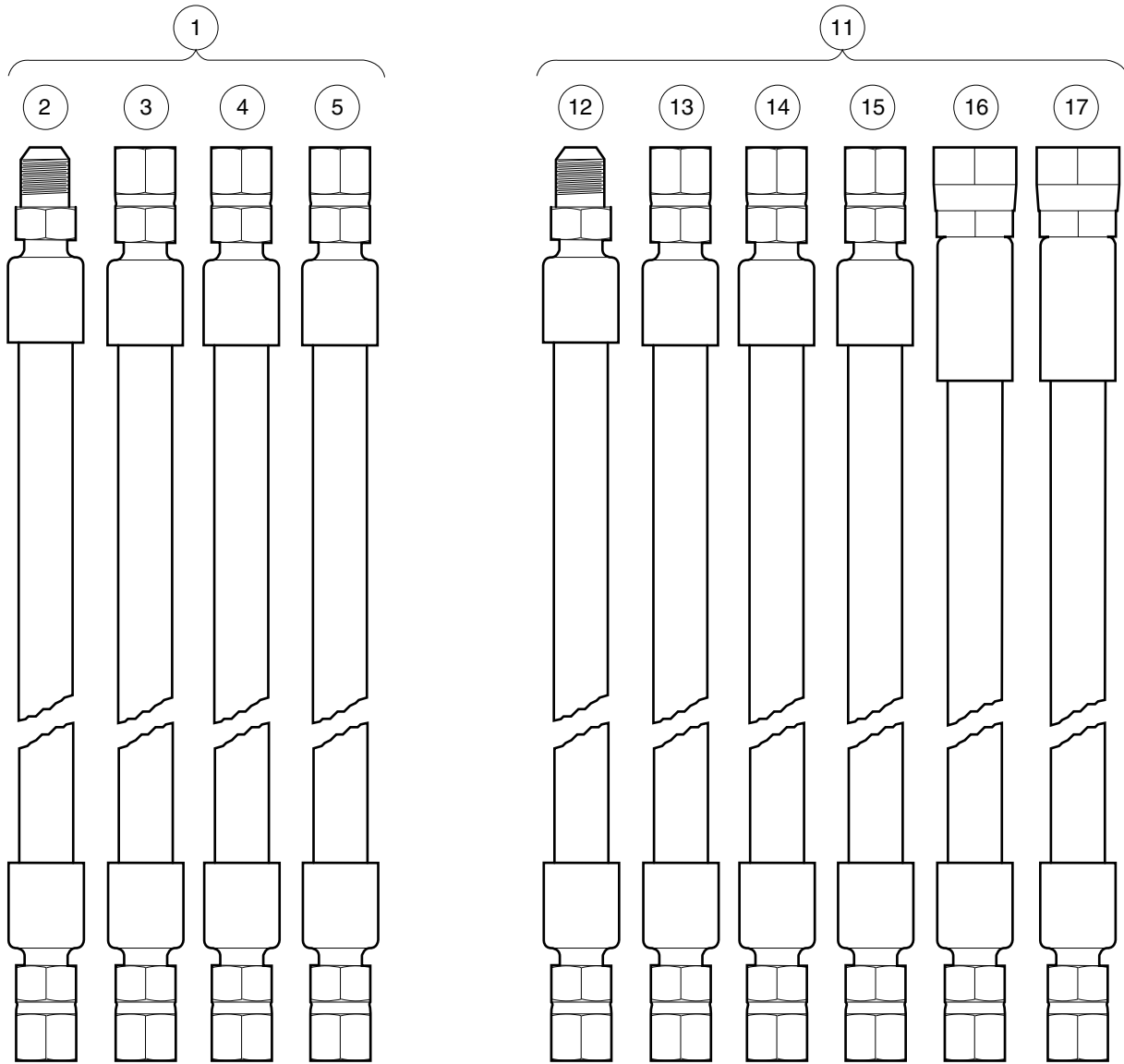
000990-001

HYDRAULIC CYLINDERS

ITEM	PART NO.	DESCRIPTION	QTY
		1 2 3 4	
1	102784201	Tube, Hydraulic -6 JIC 180 End	1
2	102786101	Ring, Rue, 3/4, Heavy	2
3	102921601	Pin, Clevis, 3/4 X 4	2
4	102923001	Cylinder, Hydraulic, Lift	1
5	102923101	Cylinder, Hydraulic, Tilt	1

20

D



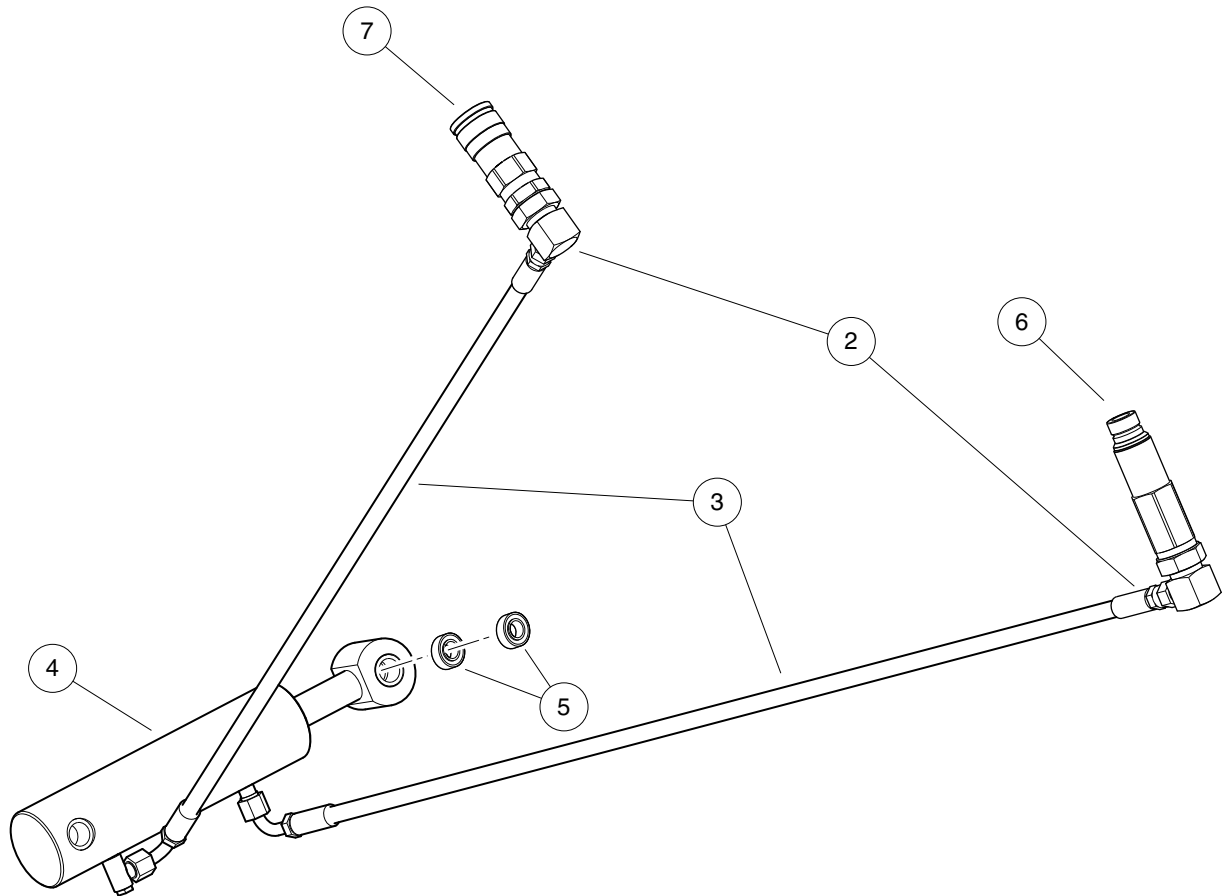
000991-001

HYDRAULIC HOSES

20

D

ITEM	PART NO.	DESCRIPTION	QTY
		1 2 3 4	
1	102787601	Asm, Hoses, Hydraulic (includes items 2 through 10)	1
2	102784601	Hose, Hydraulic, Pink Marking	1
3	102784701	Hose, Hydraulic, w/o Marking	1
4	102784801	Hose, Hydraulic, Green Marking	1
5	102784901	Hose, Hydraulic, Blue Marking	1
6	N/A	Mount, Cable Tie, 8mm Std Trq	1
7	N/A	Mount, Hd, Cable Tie, 8mm Bolt	1
8	102787101	Mount, Fir Tree, Cable Tie	1
9	N/A	Mount, Standoff, Dual Tie	1
10	102787701	Tie, Wide Strap	2
11	102787602	Asm, Hoses, Hydraulic W/aux (includes items 12 through 22)	1
12	102784601	Hose, Hydraulic, Pink Marking	1
13	102784701	Hose, Hydraulic, w/o Marking	1
14	102784801	Hose, Hydraulic, Green Marking	1
15	102784901	Hose, Hydraulic, Blue Marking	1
16	102785001	Hose, Hydraulic, Auxiliary, White Marking	1
17	102785101	Hose, Hydraulic, Auxiliary, Red Marking	1
18	N/A	Mount, Cable Tie, 8mm Std Trq	1
19	N/A	Mount, Hd, Cable Tie, 8mm Bolt	1
20	102787101	Mount, Fir Tree, Cable Tie	1
21	N/A	Mount, Standoff, Dual Tie	1
22	102787701	Tie, Wide Strap	2
<p>Note: Items 6 through 10 and items 18 through 22 not shown.</p>			



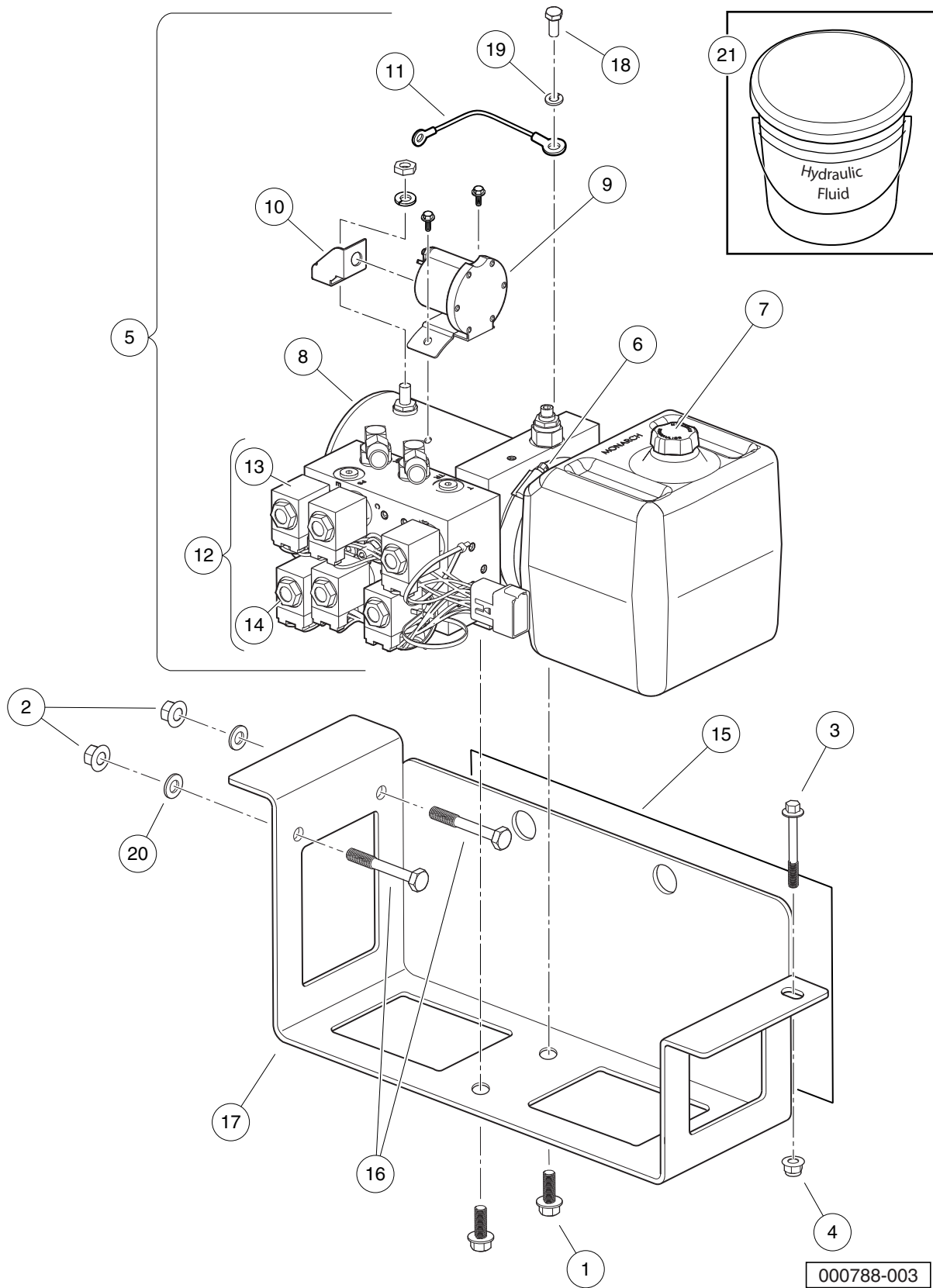
000556-001

HYDRAULIC ATTACHMENT ANGLE KIT

ITEM	PART NO.	DESCRIPTION	QTY
		1 2 3 4	
1	102930501	Kit, Angle, Hydraulic, Attachment (includes items 2 through 7)	1
2	102926301	Fitting, Elbow, 90, Hyd	2
3	102926401	Hose, Hydraulic, Angle kit	2
4	102926501	Cylinder, Hydraulic, Angle kit	1
5	102926601	Bearing, Fiber, -12	4
6	102926701	Coupler, Ff, Male, 1/2	1
7	102926801	Coupler, Ff, Fem, 1/2	1

20

D

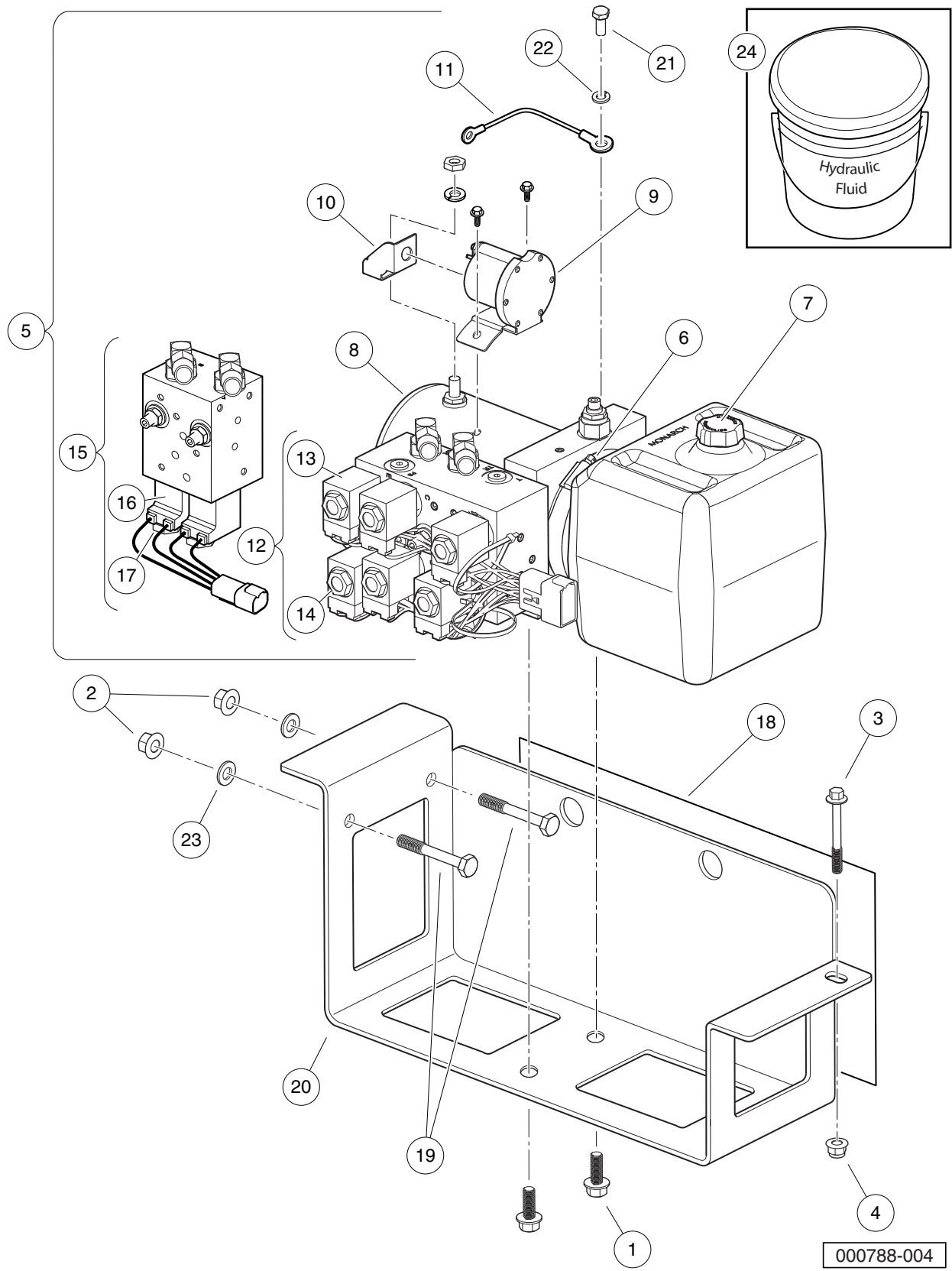


HYDRAULIC POWER UNIT – STANDARD

ITEM	PART NO.	DESCRIPTION	QTY
		1 2 3 4	
1	102491001	Bolt, Flanged Head, 3/8-16x1.0 with Loctite	2
2	102617201	Nut, Flanged, M10 X 1.5, Mechanically Deformed	2
3	102618301	Bolt, Flanged Head, M8 X 1.25 X 65	1
4	102618601	Lock Nut, Flange, M8 X 1.25 Nylon	1
5	102784001	Power Unit, Hydraulic, Std (includes items 6 through 12)	1
6	102928001	Clamp	1
7	102928101	Plug, Reservoir, Breather-Filler	1
8	102928201	Motor, Electric, DC, 12v, 4.5 In	1
9	102928301	Switch, Solenoid, 12vdc	1
10	102928401	Strap, Motor-Solenoid Connector	1
11	102928501	Assembly, Control Wire, 16 GA, Hs, Ring	1
12	102928601	Assembly, Control Valve, Std (includes items 13 and 14)	1
13	102928901	Coil, 10vdc, #8, 2lead, Diode	6
14	1308	Nut, 1/2-20 Hex	6
15	102785501	Barrier, Heat, Powerunit	1
16	102859101	Bolt, M10 X 1.50 X 70	2
17	102921701	Bracket, Mounting, Hydraulic Powerunit	1
18	7173	Screw, 5/16-18 X 0.75, Hex-Head Cap	1
19	7174	Lockwasher, 5/16 Split	1
20	96741046	Washer, M10, Hard	2
21	AM1245401	Fluid, Hydraulic, 5 Gallon	A/R

20

D

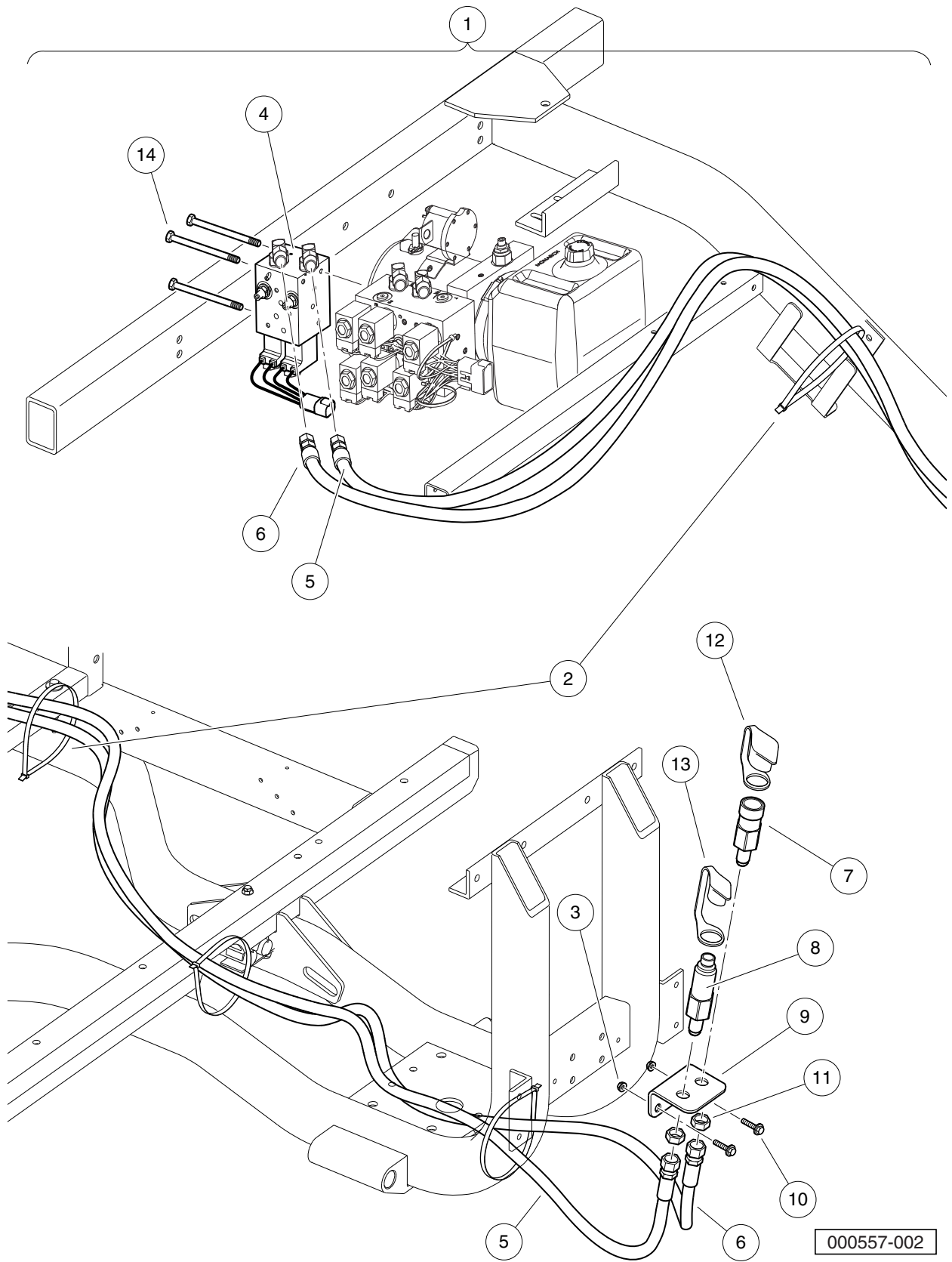


HYDRAULIC POWER UNIT – WITH AUXILIARY

ITEM	PART NO.	DESCRIPTION	QTY
		1 2 3 4	
1	102491001	Bolt, Flanged Head, 3/8-16x1.0 with Loctite	2
2	102617201	Nut, Flanged, M10 X 1.5, Mechanically Deformed	2
3	102618301	Bolt, Flanged Head, M8 X 1.25 X 65	1
4	102618601	Lock Nut, Flange, M8 X 1.25 Nylon	1
5	102784002	Power Unit, Hydraulic with Auxiliary (includes items 6 through 15)	1
6	102928001	Clamp	1
7	102928101	Plug, Reservoir, Breather-Filler	1
8	102928201	Motor, Electric, DC, 12v, 4.5 In	1
9	102928301	Switch, Solenoid, 12vdc	1
10	102928401	Strap, Motor-Solenoid Connector	1
11	102928501	Assembly, Control Wire, 16 GA, Hs, Ring	1
12	102928601	Assembly, Control Valve, Std (includes items 13 and 14)	1
13	102928901	Coil, 10vdc, #8, 2lead, Diode	6
14	1308	Nut, 1/2-20 Hex	6
15	102928701	Assembly, Control Valve, Auxiliary (includes items 16 and 17)	1
16	102928901	Coil, 10vdc, #8, 2lead, Diode	2
17	1308	Nut, 1/2-20 Hex	2
18	102785501	Barrier, Heat, Powerunit	1
19	102859101	Bolt, M10 X 1.50 X 70	2
20	102921701	Bracket, Mounting, Hydraulic Powerunit	1
21	7173	Screw, 5/16-18 X 0.75, Hex-Head Cap	1
22	7174	Lockwasher, 5/16 Split	1
23	96741046	Washer, M10, Hard	2
24	AM1245401	Fluid, Hydraulic, 5 Gallon	A/R

20

D



000557-002

STANDARD TO AUXILIARY HYDRAULIC CONVERSION KIT

ITEM	PART NO.	DESCRIPTION	QTY
		1 2 3 4	
1	102785401	Kit, Hydraulic, Aux (includes items 2 through 14)	1
2	102025401	Tie Wrap, Heavy Duty	8
3	102741601	Nut Flg M8 X 1.25 Gr 10	2
4	102784003	Power Unit, DC Hydraulic, Auxillary	1
5	102785001	Hose, Hydraulic, Auxiliary, White Marking	1
6	102785101	Hose, Hydraulic, Auxiliary, Red Marking	1
7	102794801	Coupling, Female Quick -6jic	1
8	102794901	Coupling, Male Quick -6jic	1
9	102922601	Bracket, Hydraulic, Auxiliary	1
10	102922701	Bolt, Flanged Head, M8x1.25x20 Lock Patch	2
11	102923801	Nut, Lock, Hyd Tube, 3/4-16	2
12	102973501	Cap, Quick Connect, Female	1
13	102973601	Cap, Quick Connect, Male	1
14	103409001	Screw, 1/4-20 X 3.5 Hex, Cap	3

20

D

20

D

MAINTENANCE AND SERVICE TOOLS

21

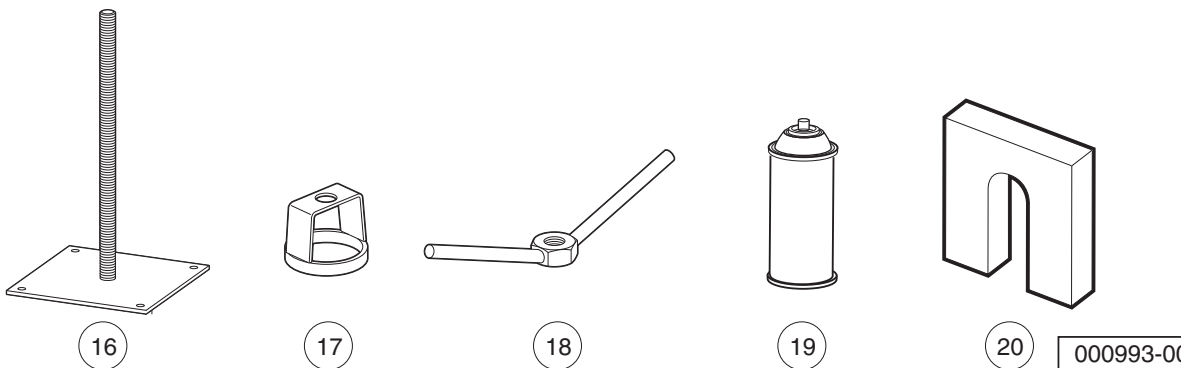
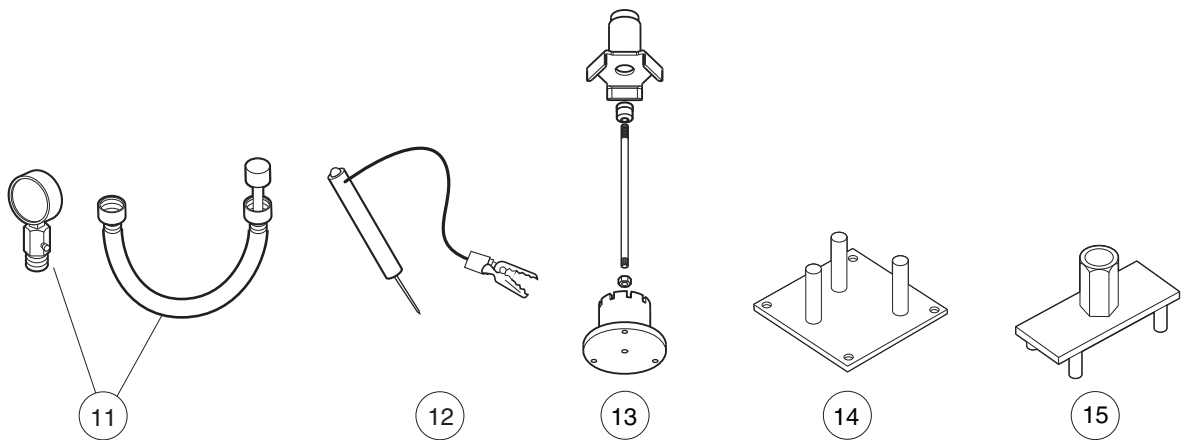
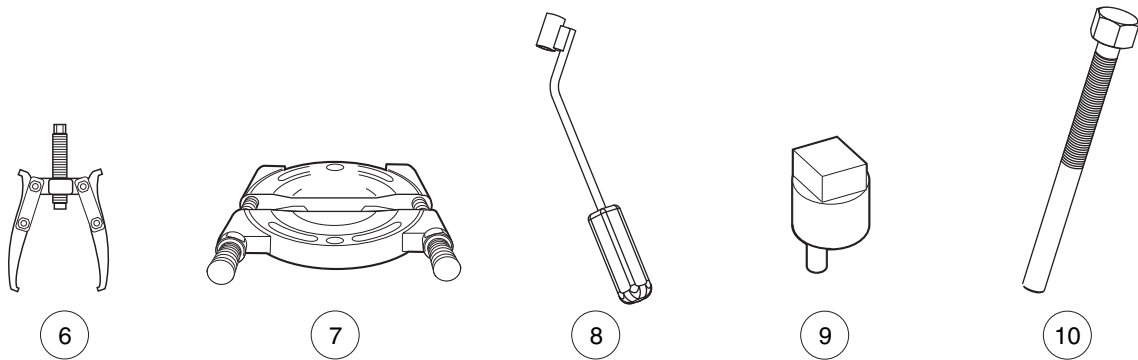
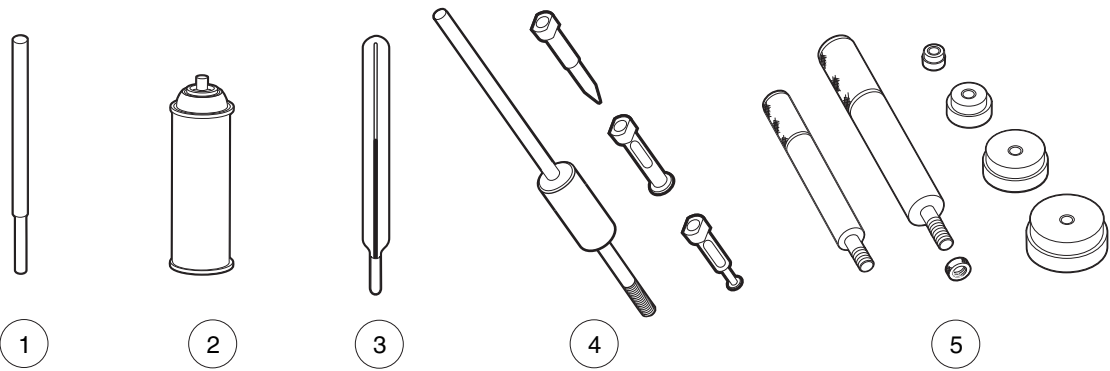
G

D

21

G

D



000993-001

MAINTENANCE AND SERVICE TOOLS – 1500/1550/1700

ITEM	PART NO.	DESCRIPTION	QTY GAS	QTY DIESEL
		<p style="text-align: center;">1 2 3 4</p> <p>The following list includes all tools available from Club Car for maintenance and service procedures on all variants of the Carryall 1500/1700 and XRT 1550 utility vehicles equipped with either the Kawasaki FH680 or Kubota D722 engines, both past and present models. Be sure to carefully examine the tool list for applicability to your vehicle before ordering.</p>		
1	101641202	Arbor	1	1
2	1014305	Battery Terminal Protector Spray	1	1
3	1011767	Battery Thermometer	1	1
4	1016417	Bearing and Oil Seal Remover Assembly	1	1
5	1016416	Bearing Driver Set	1	1
6	1012811	Bearing Puller	1	1
7	1012812	Bearing Puller Wedge Attachment	1	1
8	102555501	Brake Cable Release Tool	1	1
9	102447101	Camber Adjustment Tool (for AWD vehicles)	1	1
10	102686101	Clutch Removal Tool (for AWD vehicles)	1	1
11	101641002	Compression Gauge and Adapter	1	
12	1011273	Continuity Tester	1	1
13	103865301	Drive Clutch Service Tool (for AWD vehicles with 3-weight drive clutch)	1	1
14	102601501	Drive ClutchFixed Sheave Tool (for AWD vehicles with 2-weight drive clutch)	1	1
15	102607501	Drive Clutch Spider Removal Tool (for AWD vehicles with 2-weight drive clutch)	1	1
16	102603501	Driven Clutch Spring Compression Base (for use with items 17 and 18) (for AWD vehicles)	1	1
17	102605201	Driven Clutch Spring Compression Collar (for use with items 16 and 18) (for AWD vehicles)	1	1
18	102606101	Driven Clutch Spring Compression Nut (for use with items 16 and 17) (for AWD vehicles)	1	1
19	1012151	Dry Moly Lubricant	1	1
20	1016418	Gear Yoke	1	1
		Please refer to the maintenance and service manual for proper tool application.		

21

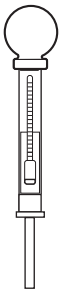
G

D

21

G

D



21



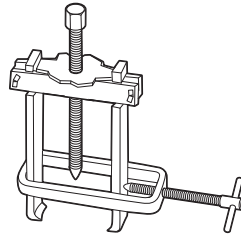
22



23



24



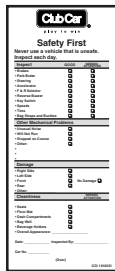
25



26



27



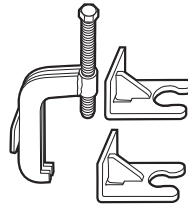
28



29



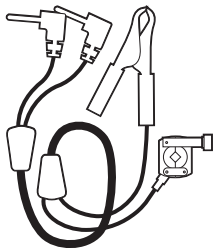
30



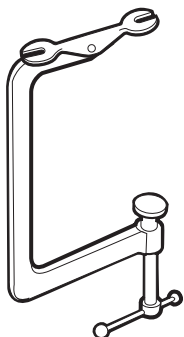
31



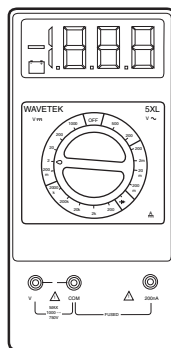
32



33



34



35

000993-002

MAINTENANCE AND SERVICE TOOLS – 1500/1550/1700 CONTINUED

ITEM	PART NO.	DESCRIPTION	QTY GAS	QTY DIESEL
		1 2 3 4		
21	1011478	Hydrometer	1	1
22	1013593	Internal Retaining Ring Pliers	1	1
23	101928701	Liquid Gasket (transaxle case)	1	1
24	101997207	Paint, Touch-Up – Black	1	1
24	101997205	Paint, Touch-Up – Dark Gray	1	1
24	101997209	Paint, Touch-Up – Dark Green	1	1
24	101997204	Paint, Touch-Up – Gray.....	1	1
24	101997203	Paint, Touch-Up – Red	1	1
25	102668801	Puller, Special Use (for AWD vehicles with Kubota D722 Diesel Engines)		1
26	1012549	Retaining Ring Pliers, 45° External	1	1
27	1012560	Retaining Ring Pliers, 90° Internal	1	1
28	101823101	Safety First Card (50 per pack)	1	1
29	1012809	Seal Puller	1	1
30	102330901	Spanner Wrench (for coil over shock front suspension vehicles only)	1	1
31	102061201	Steering Wheel Puller Tool	1	1
32	AM10753	Tachometer (includes gasoline engine pick up lead only)	1	1
33	AM10771	Tachometer Diesel Probe (for use with item 32)		1
34	101641101	Valve Spring Compressor	1	
35	1011480	Volt Ohm Meter	1	1
		Please refer to the maintenance and service manual for proper tool application.		

21

G

D

INDEX

Part Number and Page

AM10753	21-5	101082903	4-5, 4-11, 5-5, 5-11	1015258	1-55
AM10771	21-5	1010934	1-59, 8-13, 9-21	1015277	1-53
AM11805	11-3, 12-3	1011273	21-3	1015313	1-59
AM1210002	1-9	1011478	21-5	1015363	1-59
AM1210801	1-9	1011480	21-5	1015390	1-59
AM1211003	1-9	1011553	3-5, 3-13, 3-21, 6-15, 7-15	1015391	1-55
AM1211401	1-9	1011578	1-11, 1-13, 1-15, 1-25, 1-27, 19-5, 19-7, 19-9	1015399	1-55, 1-59, 1-61
AM1215701	1-9	1011652	1-29, 1-31, 1-33, 1-35	1015400	1-55, 1-59
AM1215801	1-9	1011697	1-29, 1-31	1015457	19-7, 19-9
AM1216101	18-3	1011767	21-3	101547601	3-3, 3-11
AM1232301	10-3, 10-11, 10-13	1011779	4-11	1015521	8-13, 9-21
AM1232401	10-3	1011931	9-11	1015583	1-55
AM1245401	20-27, 20-29	1011964	1-47	1015720	20-19
AM1291501	18-15	1011990	1-59	1015741	8-11, 9-19
AM1291601	18-15	1012151	21-3	101587703	11-47, 12-49
183	13-3, 14-3	1012295	8-11, 9-19	1016078	1-53
324	13-5, 14-5	1012303	1-55	101609401	3-5, 3-13, 3-21
332	1-33, 1-35, 1-59, 1-61, 8-13, 9-21, 14-5	1012438	20-19	1016103	20-19
334	1-53	1012549	21-5	101641002	21-3
357	1-57	1012560	21-5	101641101	21-5
403	1-55	1012649	13-5, 13-7, 14-5	101641202	21-3
451	1-33, 1-35	1012769	11-5, 12-5, 18-7	1016416	21-3
808	1-11, 1-13, 1-15	1012809	21-5	1016417	21-3
1016	13-3, 14-3	1012811	21-3	1016418	21-3
1017	20-19	1012812	21-3	1016423	9-11
1032	1-59	1012830	1-33, 1-35	101648201	10-7
1108	8-13, 9-21	1012830	1-33, 1-35	1016513	13-13, 13-19
1231	1-59	1013035	6-5, 7-5	1016544	10-11
1241	8-13, 9-21	1013042	6-5, 7-5	1016603	1-57
1242	4-11	101313402	13-7, 14-5	1016630	8-9, 9-15, 9-17
1308	20-27, 20-29	1013317	1-59	1016851	8-9, 9-15, 9-17
1631	20-19	1013366	1-61	1016896	8-9, 9-15, 9-17
7049	1-59	1013461	13-3, 14-3	1016916	1-17
7173	20-27, 20-29	1013462	13-3, 14-3	1016967	1-17
7174	20-27, 20-29	1013531	4-11	1017162	1-57
7310	2-3, 2-5	1013593	21-5	1017167	1-57
7473	1-55, 1-61, 8-13, 9-21	1013734	1-33, 1-35	1017774	1-57
7973	1-59	1013746	11-47, 12-49	101802601	8-9, 9-15, 9-17
8056	8-9, 9-15, 9-17, 13-15, 14-9	1014063	9-11	101804301	1-17
8057	8-9, 9-15, 9-17, 13-15, 14-9	1014201	1-29, 1-31	101823101	21-5
8058	8-9, 9-15, 9-17	1014305	21-3	101824401	11-47, 12-49, 14-5
8233	1-17, 1-59, 1-61, 13-5, 14-5	1014306	1-49, 1-51, 1-61	101833101	11-5, 12-5
8251	1-49, 1-51	1014321	1-59	101833201	11-5, 12-5
8639	4-7, 4-11	1014375	8-13, 9-21	101835601	1-53, 1-55
8717	9-11	1014387	1-59	101850301	6-3, 7-3
8754	1-55, 1-57	1014415	1-29, 1-31, 1-59, 1-61	101856101	16-11, 17-11
8755	1-55, 1-57	1014471	1-55, 19-3	101887601	1-33, 1-35, 4-7, 5-7, 15-3
8797	13-3, 14-3	1014537	1-59, 1-61	101894304	1-61
8990	1-57, 6-5, 7-5, 18-5, 20-19	1014557	1-37	101898001	8-13, 9-21
1010193	1-37	1014727	8-9, 9-15, 9-17	101928701	21-5
1010200	1-57	1014789	8-7, 9-9	101932201	20-19
1010434	1-29, 1-31, 1-59	1014808	8-9, 9-15, 9-17	101953101	4-11
1010435	1-55, 1-59, 1-61	1015068	1-47	101958602	1-53
1010436	1-61	1015137	13-7	101963401	1-59, 1-61
		1015245	1-59	101972003	21-5
		1015246	1-59	101972004	21-5

INDEX

101972005	21-5	102298240	4-11	102420301	8-11, 9-19
101972007	21-5	102298401	1-33, 1-35, 4-5, 4-9, 4-11, 5-5, 5-9, 5-11, 6-3, 7-3, 10-9, 11-5, 12-5, 15-7, 18-5, 18-23	102420401	8-11, 9-19
101972009	21-5	102298580	1-17	102420501	8-11, 9-19
101987901	8-3, 8-5, 9-3, 9-5	102298720	1-17, 15-3, 19-5	102422301	11-55, 15-7
101988101	8-3, 9-3	102301401	1-53	102426301	13-5, 14-5
101988201	8-3, 9-3	102323101	1-53	102426601	1-53, 1-57
102003201	10-3, 13-5	102323501	1-17	102426901	1-55
102022601	6-5, 7-5	102324401	1-39	102427501	3-3, 3-11, 3-19, 19-5
102022901	6-5, 6-7, 6-9, 7-5, 7-7, 7-9	102330901	21-5	102427601	19-7, 19-9
102023703	1-33, 1-35	102343601	1-47	102430401	14-5
102025401	20-31	102355301	8-13, 9-21	102434701	11-3, 12-3
102025701	1-33, 1-35	102361901	6-7, 6-9, 7-7, 7-9	102435001	19-7, 19-9
102030101	1-59	102370101	11-5, 12-5	102436701	19-3
102030201	1-59	102370501	10-5, 11-5, 12-5	102437001	6-7, 7-7
102044702	8-9	102370601	10-5, 11-5, 12-5	102438201	18-9
102044801	8-9	102371401	10-9	102438301	18-9
102045001	1-17	102371701	18-23	102438401	18-9
102047001	1-33, 1-35	102371801	18-9	102438501	18-9
102048401	1-17	102372101	18-23	102438601	18-9
102051601	8-9, 9-15, 9-17	102374901	16-3, 17-3	102438701	18-9
102051701	8-9, 9-15, 9-17	102375401	9-15, 9-17	102438801	18-9
102059001	1-33, 1-35	102376001	18-5	102438901	18-9
102059401	1-33, 1-35	102377501	19-7, 19-9	102439001	18-9
102061101	1-33, 1-35	102377601	19-7, 19-9	102439101	18-9
102061201	21-5	102377801	19-3	102439201	18-9
102065901	1-55	102377901	19-3	102439301	18-9
102066001	1-57	102379001	14-7	102439501	18-9
102171503	1-55	102380301	19-3	102439601	18-9
102176901	4-5, 5-5	102380601	4-9	102439701	18-9
102198001	8-9, 9-15, 9-17	102381701	18-13	102439801	18-9
102221301	1-61	102382401	11-5, 12-5, 18-7	102439901	18-9
102221401	1-61	102385601	17-5	102440101	18-9
102221501	1-61	102406701	13-3, 14-3	102440201	18-11
102221701	1-61	102406801	14-3	102440301	18-9
102221801	1-61	102408401	6-7, 6-15, 7-7, 7-15	102440401	18-11
102222001	1-61	102409301	15-7	102440501	18-11
102222101	1-61	102409501	15-3	102440601	18-11
102222201	1-61	102410001	19-11	102442001	20-19
102231601	3-3, 3-11	102410301	19-3	102442002	1-33, 1-35
102239901	1-61	102410603	11-5, 12-5	102442201	8-13, 9-21
102274101	6-9, 7-9, 18-13	102410604	13-5	102442901	4-9, 5-9
102276001	18-25	102411203	14-5	102443601	10-9
102288901	19-7, 19-9	102411204	19-5, 19-7, 19-9	102445201	13-15, 14-9
102289001	1-7, 1-11, 1-13, 1-15, 1-17, 10-9, 19-3	102411205	19-5	102447101	21-3
102290120	6-3, 7-3	102411206	19-7, 19-9	102447601	1-39
102292356	1-11, 1-13, 1-15	102411207	19-3, 19-7, 19-9	102447901	8-11, 9-19
102292701	1-11, 1-13, 1-15	102411208	19-3, 19-7, 19-9	102448001	8-11, 9-19
102292801	1-11, 1-13, 1-15, 4-11, 5-11	102411209	14-7	102448401	8-13, 9-21
102296140	4-7, 5-7	102411210	13-9, 14-7, 16-9, 16-11, 17-9, 17-11	102448501	9-21, 10-9
102296401	13-15, 14-9	102411301	19-3	102449101	18-25
102296601	10-5	102414501	16-11, 17-11	102456001	1-33, 1-35
102296716	4-7, 5-7, 16-9, 16-11, 17-9, 17-11	102414801	11-5, 12-5	102457001	13-17
102296920	10-5	102418101	1-53	102457501	10-9
102297230	1-11, 1-13, 1-15, 1-17	102420201	8-11, 9-19, 20-19	102458901	1-33, 1-35, 3-3, 3-11, 3-19
102298130	1-33, 1-35, 6-3, 7-3			102459001	3-3, 3-11, 3-19
				102459101	3-3, 3-11, 3-19

INDEX

102459201	3-3, 3-11, 3-19	102499001	8-9, 9-15, 9-17	102606301	11-19, 12-19
102459301	3-5, 3-13, 3-21	102522001	13-3, 14-3	102606401	11-19, 12-19
102459401	3-5, 3-13, 3-21	102535101	8-5, 9-5	102606501	11-19, 12-19
102459501	3-3, 3-11, 3-19	102551901	4-11	102606601	11-19, 11-55, 12-19
102460201	3-5, 3-11, 3-13, 3-19, 3-21	102552001	4-11	102606701	11-17, 12-17
102461401	13-15, 14-9	102555501	21-3	102606901	11-9
102462301	11-5, 12-5	102600001	11-7	102607001	11-9, 12-9
102462401	18-13	102600101	11-7, 12-7	102607201	11-9
102462501	11-5, 12-5	102600201	11-7, 12-7	102607301	11-9, 12-9
102462504	10-5	102600301	11-7, 11-11, 11-55	102607401	11-9
102463101	18-27	102600401	11-7, 12-7	102607501	21-3
102463501	18-25	102600601	11-7, 12-7	102607601	11-25, 11-57
102463601	18-25	102600701	11-7, 12-7	102607602	11-25
102463801	18-27	102600801	11-7, 11-11, 12-7, 12-11	102607801	11-25, 12-25
102463901	18-25, 18-27	102601001	11-7, 11-13, 12-7, 12-13	102607901	11-25, 12-25
102464001	18-27	102601101	11-35, 12-37	102608001	11-25, 12-23
102464101	18-27	102601301	11-7, 12-7	102608101	11-25
102464201	18-27	102601401	11-7	102608201	11-21, 11-55
102464301	6-9, 7-9, 18-27	102601501	21-3	102608301	11-21, 11-55, 12-21
102464401	18-27	102601801	11-13, 11-55	102608401	11-21
102464501	18-27	102601901	11-13, 12-13	102608501	11-21
102465701	1-57	102602001	11-13, 12-13	102608601	11-21
102465901	11-5, 12-5	102602101	11-13, 12-13	102608701	11-21, 12-21, 19-13
102473501	1-33, 1-35	102602301	11-13, 12-13	102608801	11-25, 12-21
102473601	1-33, 1-35	102602401	11-13, 12-13	102608802	11-25, 12-21
102473701	1-33	102602601	11-13, 12-13	102608803	11-25
102474301	4-7, 5-7	102602701	11-13, 12-13	102608804	11-25, 12-21
102475701	4-7, 13-17, 14-11, 18-7	102602801	11-13	102608805	11-25, 12-21
102475901	1-33, 1-35	102603201	11-23	102608806	11-25
102478501	14-3	102603501	21-3	102608901	11-21, 12-21
102479301	13-15, 14-9	102603601	11-29	102609001	11-25
102480501	19-7, 19-9	102603701	11-29, 12-31	102609002	11-25
102481001	16-11, 17-11	102603801	11-29	102609003	11-25
102481201	16-11, 17-11	102603901	11-29, 12-31	102609101	11-21
102481301	16-11, 17-11	102604001	11-29	102609301	11-21, 12-21
102488001	4-3, 4-13, 5-3, 5-13	102604101	11-29, 12-31	102609401	11-21, 12-21
102490101	1-45, 5-11, 11-5, 12-5	102604201	11-23, 11-29, 12-9, 12-29, 12-31	102609601	11-21
102490201	11-5, 12-5	102604301	11-29, 12-31	102609801	11-25
102490301	19-3	102604401	11-25, 11-29, 12-23, 12-31	102609802	11-25
102490501	11-5, 12-5	102604501	11-29	102609803	11-25
102490801	6-9, 7-9	102604701	11-29, 12-31	102610001	11-25, 12-23
102491001	10-5, 18-13, 20-27, 20-29	102604801	11-29, 12-31	102614101	1-55, 1-57
102491101	18-13	102604901	11-23	102614401	1-61
102491301	1-17, 1-43	102605001	11-23, 12-29	102616003	16-11, 17-11
102491501	1-17, 1-41, 1-43, 20-13	102605101	11-9, 11-23	102616101	16-11, 17-11
102491601	4-3, 4-13, 5-3, 5-13	102605201	21-3	102616301	6-7, 6-11, 6-13, 7-7, 7-11, 7-13
102491701	1-21, 1-23, 1-49, 1-51	102605301	11-23, 12-29	102616701	18-5
102492201	8-11, 9-19	102605401	11-23, 12-29	102617001	20-17
102492301	9-19	102605501	11-23	102617201	1-17, 1-41, 1-43, 20-27, 20-29
102493301	4-3, 4-13, 5-13	102605601	11-23	102617501	6-9, 7-9, 18-13
102493801	1-53	102605701	11-43, 12-45	102617701	6-9, 7-9
102494401	11-5, 12-5	102605801	11-23	102617801	6-9, 7-9, 18-13
102494701	14-3	102605901	11-23, 12-29	102618101	4-9, 5-9
102495701	9-15	102606001	11-23, 12-29	102618301	1-53, 4-9, 4-11, 5-9, 5-11, 18-5, 20-27, 20-29
102498201	9-21, 11-5, 12-5	102606101	21-3	102618401	4-5, 5-5
102498601	10-3, 11-3, 12-3, 13-9, 14-7	102606201	11-19, 12-19		

INDEX

102618601	1-5, 1-17, 1-25, 1-27, 1-53, 1-57, 10-9, 11-5, 12-5, 13-5, 14-5, 19-7, 19-9, 20-27, 20-29	102635701	11-31, 12-33	102648401	11-47
102620301	1-37	102635801	11-31, 12-33	102651301	11-49, 12-51
102620501	6-7, 6-11, 6-13, 7-7, 7-11, 7-13	102635901	11-31, 12-33	102651501	11-49, 12-51
102621201	13-9, 14-7, 15-3	102636101	12-47	102651601	11-49, 12-51
102621301	10-9, 11-5, 12-5, 15-7	102636201	11-45	102651701	11-49, 12-51
102621501	11-5, 12-5, 18-7	102636301	11-45, 12-47	102651801	11-49, 12-51
102626201	4-9	102636401	11-45, 12-47	102652001	11-49
102628001	16-11, 17-11	102636501	11-45	102652601	11-49
102628101	15-7	102636601	11-45, 12-47	102652701	11-49
102628301	16-9, 17-9	102637001	11-31, 12-33	102652801	11-11, 12-11
102628701	19-7	102637101	11-31, 12-33	102652901	11-49, 12-51
102629001	1-57, 5-11	102637501	12-41	102653001	11-49, 12-51
102630001	11-25	102637601	12-41	102653101	11-49, 12-51
102630002	11-25	102637701	11-39, 12-41	102653201	11-49, 12-51
102630003	11-25	102637801	12-41	102653301	11-49, 11-55, 12-51
102630101	11-25, 12-23	102639101	12-41	102653401	11-11, 12-11
102630201	11-25, 12-23	102640401	11-39, 12-41	102653501	11-11, 12-11
102630301	11-25, 11-55, 12-23	102640501	11-39	102653601	11-49
102630401	11-25, 12-23	102640601	11-33, 11-39	102653701	11-49
102630601	11-35, 11-37, 12-37, 12-39	102640701	11-39, 12-41	102653901	11-11, 12-11
102630701	11-25, 12-25	102640901	11-39, 12-41	102654101	11-11, 11-55
102630702	11-25	102641001	11-39, 12-41	102654301	11-13, 11-41, 11-51
102630703	11-25	102641101	11-39, 12-41	102654401	11-23, 12-29
102630901	11-25, 11-57, 12-25	102641201	11-39, 12-41	102654601	11-9, 11-55, 12-9
102631001	11-25, 11-57, 12-25	102641501	11-43	102654701	11-55, 19-11
102631301	19-11	102642401	11-43, 12-45	102668801	21-5
102631401	19-11	102642501	11-43, 12-45	102670601	1-37
102631601	11-7, 11-35, 11-37, 12-7, 12-37, 12-39, 19-11	102642601	11-43	102670701	1-9, 6-15, 7-15, 11-5, 12-5, 20-13
102631701	19-15	102642701	11-43, 12-45	102670801	5-7
102631801	19-15	102642801	11-43, 12-45	102671201	1-39
102632001	19-15	102642901	11-43, 12-45	102672201	18-25
102632101	19-15	102643001	11-43	102672301	18-25
102632201	19-15	102643101	11-43	102672401	18-25
102632701	11-55, 19-13	102643201	11-43	102673201	1-61
102633001	19-11	102643301	11-43, 12-45	102684501	18-5
102633201	19-11	102643401	11-43, 12-45	102684603	18-5
102633301	11-15, 12-15	102643601	11-43, 12-45	102684901	19-3
102633401	11-55, 19-11	102643701	11-43, 12-45	102685001	19-3
102633601	11-45, 12-47	102644001	11-15, 11-55	102686101	21-3
102633701	11-41, 12-43	102644101	11-15, 12-15	102687801	6-5, 7-5
102633801	11-41, 12-43	102644501	11-55	102693201	18-25
102633901	11-41, 12-43	102645501	11-47	102693301	18-17, 18-25
102634001	11-41, 11-55, 12-43	102646001	11-55	102693401	18-25
102634101	11-41, 12-43	102646101	11-51, 12-53	102693501	18-25
102634401	11-41, 11-55, 12-43	102646301	11-53, 12-55	102693601	18-27
102634501	11-41, 11-55, 12-43	102646401	11-49, 12-51	102694001	18-27
102634601	11-41, 12-43	102646501	11-53	102694201	18-17, 18-25
102634701	11-41, 12-43	102646601	11-53, 11-55	102694301	18-25
102635101	11-45, 12-47	102647101	11-53, 12-55	102694401	18-25
102635201	11-41	102647201	11-53	102694502	18-27
102635301	11-31, 11-41, 11-43, 11-55, 12-33, 12-45	102647501	11-27, 12-27	102694701	18-25
102635501	11-31, 12-33	102647701	11-35, 11-37, 11-47, 12-37, 12-39, 12-49	102694801	18-25
		102647801	11-27	102695401	16-7, 17-7
		102647901	11-27	102695601	16-7, 17-7
		102648001	11-27, 12-27	102695801	16-7, 17-7
				102695901	16-7, 17-7

INDEX

102696001	18-21	102729401	11-41, 12-43	102787101	20-23
102696101	18-17	102729501	11-41, 12-43	102787601	20-23
102696201	18-17, 18-19	102729601	11-43, 12-45	102787602	20-23
102696501	18-17, 18-19	102729701	11-43	102787701	20-23
102696601	18-21	102730001	11-35, 12-37	102788701	6-11, 6-13, 7-11, 7-13
102696701	18-17	102730101	11-35, 12-37	102789001	20-17
102696801	18-17, 18-19	102730201	11-35, 11-37, 12-37, 12-39	102789101	20-17
102696901	18-17, 18-19	102730301	11-35, 12-37	102789201	20-17
102697001	18-19	102730401	11-35, 11-37, 12-39, 12-49	102789301	20-17
102697101	18-17, 18-19	102730601	11-35, 11-37, 12-37, 12-39	102790001	20-17
102697501	18-19	102730801	11-7, 12-7	102790801	20-17
102698701	18-19	102730901	19-11	102790901	20-17
102699401	18-17	102731001	19-11	102791001	20-17
102699601	18-21	102731101	19-11	102791301	20-17
102699701	18-17, 18-19	102731201	19-13	102792001	6-7, 7-7
102700801	11-7, 12-7	102731301	11-35, 11-37, 12-37, 12-39	102792002	6-7, 7-7
102701001	11-11	102731501	11-53, 12-55	102794801	20-31
102701201	11-35, 11-37, 12-37, 12-39	102731601	11-53, 15-7	102794901	20-31
102701601	11-45, 12-47	102731801	11-55	102798001	11-11
102703301	11-3, 11-13, 12-3, 12-13	102731901	11-55	102798101	11-13
102711601	6-7, 7-7, 18-13	102732001	11-57	102798201	11-13, 12-13
102714001	5-13	102732201	11-25, 11-57, 12-25	102798401	11-15
102718101	1-9, 1-37, 1-41, 1-43, 1-45	102732301	1-41	102798501	11-15, 11-55, 12-15
102719301	1-9	102732401	1-37, 1-45	102798601	11-15, 12-15
102722001	10-9	102732501	11-35, 11-37, 11-47, 12-39	102798701	11-15, 12-15
102722301	6-7, 6-9, 7-7, 7-9	102732601	11-7, 11-55, 12-7	102798801	11-15
102723901	18-3	102736901	2-3, 2-5	102798901	11-15, 12-15
102725501	13-9, 14-7	102737301	19-3	102799001	11-15, 12-15
102725601	13-9, 14-7	102740401	10-5	102799101	11-15
102726201	11-7, 12-7	102741601	20-31	102799201	11-15, 12-15
102726301	11-7, 12-7	102762601	18-27	102799401	11-23, 12-29
102726401	11-7, 12-7	102763301	4-11	102799501	11-31, 12-33
102726501	11-7, 12-7	102763401	4-11	102799601	11-33, 12-35
102726601	11-7, 12-7	102764901	18-19	102799701	11-33, 12-35
102726701	11-11	102765201	18-17	102799801	11-33, 12-35
102726901	11-11, 12-11	102765301	18-27	102799901	11-33, 12-35
102727001	11-11, 12-11	102765701	18-27	102800101	11-39
102727101	11-11, 12-11	102765801	18-27	102800201	11-45, 12-47
102727401	11-13, 12-13	102767601	19-9	102800301	11-45
102727501	11-13, 12-13	102767701	18-23	102800401	11-41, 12-43
102727601	11-13, 12-13	102772201	1-51	102800501	11-41, 12-43
102727701	11-17, 12-17	102784001	20-27	102800601	11-41, 12-43
102727901	11-19, 12-19	102784002	20-29	102800701	11-35, 11-37, 12-37, 12-39
102728001	11-21	102784003	20-31	102801001	11-35, 11-37, 12-39
102728101	11-25, 11-57	102784201	20-21	102801101	11-49, 12-51
102728102	11-25	102784601	20-23	102801201	11-49, 12-51
102728301	11-27, 12-27	102784701	20-23	102801301	11-51, 12-53
102728401	11-29	102784801	20-23	102801401	11-51, 12-53
102728501	11-29, 12-31	102784901	20-23	102801501	11-51, 12-53
102728601	11-31, 12-33	102785001	20-23, 20-31	102807601	19-5
102728701	11-31, 12-33	102785101	20-23, 20-31	102807801	19-5
102728801	11-31, 11-55, 12-33	102785401	20-31	102810701	13-9, 14-7
102728901	11-31, 12-33	102785501	20-27, 20-29	102812801	15-3
102729101	11-33, 12-29, 12-35	102786101	20-13, 20-15, 20-17, 20-21	102816801	6-5, 7-5
102729201	12-41	102786201	15-3	102834401	1-45
102729301	11-13, 11-55	102786401	9-11	102849801	20-19

INDEX

102850501	20-19	102926801	20-25	102990101	10-13
102854401	20-19	102927101	6-7, 7-7	102990201	10-13
102854501	20-19	102927102	6-7, 7-7	102990301	10-13
102854601	20-19	102927201	20-5	102990401	10-13
102854801	20-19	102927301	20-5	102990501	10-13
102854901	20-19	102927401	20-5, 20-9, 20-11	102990601	10-13
102855501	19-3	102928001	20-27, 20-29	102990701	10-13
102859101	20-27, 20-29	102928101	20-27, 20-29	102990801	10-13
102865101	13-5, 13-7	102928201	20-27, 20-29	102990901	10-13
102866901	1-11, 1-13, 1-15	102928301	20-27, 20-29	102991101	10-13
102867001	1-11, 1-13, 1-15	102928401	20-27, 20-29	102991201	10-13
102867101	1-17	102928501	20-27, 20-29	102991401	10-13
102867202	1-19	102928601	20-27, 20-29	102991501	10-13
102867301	1-17	102928701	20-29	102991601	10-13
102867401	1-13	102928901	20-27, 20-29	102991801	10-13
102867501	1-11	102929501	20-11	102991901	10-13
102867602	1-15	102929601	20-9, 20-11	102992001	10-13
102869401	8-9, 9-15, 9-17	102929701	20-11	102992101	10-13
102882301	1-7	102930001	20-5	102992201	10-13
102882401	1-11, 1-13, 1-15	102930101	20-7	102992301	10-13
102882501	1-57, 8-9, 9-15	102930201	20-9	102992401	10-7, 10-13, 10-19, 13-19
102883401	1-17	102930301	20-11	102992501	10-19, 13-5
102883601	3-7, 3-9, 3-15, 3-17	102930501	20-25	102992601	10-13
102884301	3-3, 3-13	102930801	3-21	102992701	10-13
102884401	3-5, 3-13	102930901	15-3	102992801	10-13
102885001	9-7	102934701	11-37, 12-39	102992901	10-13
102889201	3-13	102934801	11-37, 12-39	102993201	10-17
102894501	8-5, 9-5	102934901	11-37, 12-39	102993301	10-17
102895101	1-11, 1-13, 1-15	102935501	1-17	102993401	10-17
102895401	1-11, 1-13, 1-15	102936801	9-11	102993501	10-17
102896501	1-11, 1-13, 1-15	102937401	9-11	102993601	10-17
102913801	1-49, 1-51	102937501	9-11	102993701	10-17
102913901	1-49, 1-51	102937601	9-11	102993901	10-17
102914001	1-49, 1-51	102946701	19-3	102994101	10-17
102914101	1-49, 1-51	102949301	15-5	102994301	10-11
102914102	1-49, 1-51	102950601	3-21	102994401	10-17
102914104	1-51	102951901	10-5	102994601	10-15
102914105	1-51	102958301	10-9	102994701	10-15
102918501	20-19	102958401	10-9	102994801	10-15
102921601	20-13, 20-15, 20-17, 20-21	102958501	10-9	102994901	10-15
102921701	20-27, 20-29	102958601	10-9	102995001	10-15
102922601	20-31	102959001	11-5, 12-5	102995101	10-15
102922701	20-31	102961201	3-5, 3-13, 3-21	102995201	10-15
102923001	20-21	102961301	18-27	102995301	10-15
102923101	20-21	102961401	18-27	102995401	10-15
102923201	20-15	102967901	1-11, 1-13, 1-15, 20-19	102995501	10-15
102923301	20-17	102973201	19-5	102995601	10-15
102923401	20-15	102973501	20-31	102995701	10-15
102923801	20-31	102973601	20-31	102995801	10-15
102925201	20-13	102977501	9-17	102995901	10-15
102925601	3-27	102978801	1-15	102996001	10-15
102926301	20-25	102978901	1-15	102996101	10-15
102926401	20-25	102979301	1-13	102996201	10-15
102926501	20-25	102983201	1-41, 1-43	102996301	10-15
102926601	20-9, 20-11, 20-25	102983601	1-41, 1-43	102996401	10-15
102926701	20-25	102988701	1-39, 1-41, 1-43, 1-45	102996501	10-15

INDEX

102996601	10-15	103188701	3-19	103243601	20-9
102996701	10-15	103191201	1-59	103243701	20-9
102996901	10-7	103191301	1-59	103243801	20-9
102997001	10-7	103191401	1-59	103243901	20-9, 20-11
102997101	10-7	103191501	1-59	103244001	20-9, 20-11
102997201	10-7	103192101	1-43	103244701	6-7, 7-7, 18-13
102997401	10-7	103197201	10-9	103245801	9-11
102997601	10-7	103200501	1-49, 1-51	103246901	10-9
102997701	10-7	103201501	16-5	103250401	18-17
102997801	10-7	103202601	3-5	103253801	1-17
102997901	10-7	103205801	9-17	103256401	6-7, 7-7
102998001	10-7	103208701	10-5	103256501	6-7, 7-7
102998101	10-7	103208801	9-15, 9-17	103256701	6-7, 7-7
102998201	10-7	103210401	3-5	103262901	10-5
102998301	10-7	103210501	3-13	103267001	1-33
102998401	10-7	103210801	1-39	103267002	1-35
102998601	10-19	103210802	1-39	103268001	1-17
102998701	10-19	103210901	1-39	103268101	15-5
102999101	10-19	103211101	1-39	103273101	4-9, 5-9
102999201	10-19	103213201	9-7	103274502	1-45
102999301	10-19	103213301	8-3, 8-5, 9-3, 9-5	103274602	1-45
102999501	10-19	103213401	9-13	103276201	10-9
102999601	10-19	103213501	9-7	103277401	13-17
103000001	10-19	103214901	1-43	103277501	9-9
103000401	10-11	103215001	1-43	103277701	9-9
103000501	10-11	103215101	1-43	103279201	10-5
103000601	10-11	103215201	20-19	103283801	1-45
103000801	10-11	103215401	1-3	103289001	1-49, 1-51
103000901	10-11	103215901	1-43	103289002	1-49, 1-51
103001301	10-11	103216201	1-43	103289101	1-49, 1-51
103001501	10-11	103216401	1-37, 1-39, 1-41, 1-43, 1-45	103289102	1-49, 1-51
103002001	13-19	103216801	1-43	103289103	1-49, 1-51
103002101	13-19	103218104	8-5, 9-5	103289104	1-49, 1-51
103002301	13-19	103218107	1-11, 1-13, 1-15, 8-5, 9-5	103289107	1-51
103002401	13-19	103218113	8-5, 9-5	103289108	1-51
103002501	13-19	103218901	1-35	103289109	1-51
103002801	13-13, 13-19	103223101	1-47	103289110	1-51
103002901	13-19	103225801	1-41, 1-43	103293401	13-17
103003801	13-13	103227001	1-57	103296001	1-17
103003901	13-13	103231701	1-3	103297101	13-13
103004201	13-13	103231801	1-3	103297201	13-13
103005001	13-13	103233001	1-17	103297301	13-13
103005601	13-13	103234001	9-17	103297401	13-19
103009901	13-5	103234201	3-7, 3-9, 3-15, 3-17, 3-23, 3-25	103297501	13-19
103010101	13-5	103234304	3-7, 3-15, 3-23	103297601	13-19
103077501	4-3, 4-13, 5-3, 5-13	103234401	9-15, 9-17	103297701	13-19
103146203	18-25	103234503	2-3, 2-5	103297801	13-19
103146204	6-9, 7-9	103236001	1-3	103298001	13-19
103147001	6-15, 7-15	103237501	20-3	103298101	13-19
103160101	4-3, 4-13	103237701	20-3	103298201	13-19
103174302	4-7	103239901	11-37, 12-39	103298301	13-19
103180101	8-9, 9-15, 9-17	103240601	10-9	103298501	10-11, 13-5, 13-13, 13-19
103182701	1-19	103243001	20-9	103298601	10-13, 13-19
103182702	1-19	103243101	20-9	103298901	10-13
103182801	1-19	103243201	20-9	103299301	10-19
103188601	3-21	103243501	20-9, 20-11	103299401	10-19

INDEX

103299501	10-11	103348101	8-9, 9-15	103593301	14-5
103299601	10-11	103348201	8-9, 9-15, 9-17	103596601	13-11
103299701	10-11	103348501	8-9, 9-15	103596701	13-11
103299801	10-11	103355401	20-13	103596801	13-11
103299901	10-11	103361701	1-41, 1-43	103629101	1-29, 1-31
103300101	10-11	103372101	13-3	103629102	1-29, 1-31
103300301	10-7, 10-19	103372302	13-3	103629501	1-29, 1-31
103305701	8-7	103372401	13-7	103635101	1-37
103305801	8-7	103376101	4-5	103687401	10-11
103306801	13-11	103377501	1-39	103699801	2-3, 2-5
103306901	13-11	103379401	1-59	103701301	13-7
103307001	13-11	103380701	4-5, 5-5	103721801	18-19
103307201	13-11	103400001	1-25, 1-27	103724501	6-3, 7-3
103307301	13-11	103406501	1-59	103724503	6-3, 7-3
103310701	9-15	103406502	1-59	103724602	6-3, 7-3
103319501	1-51	103409001	20-31	103747301	11-3, 12-3, 14-5
103319601	1-25, 1-27	103417401	1-25, 1-27	103756401	13-7
103319701	1-25	103418001	1-27	103760601	1-11
103319901	20-19	103418801	5-13	103761801	11-3, 12-3, 14-5
103320201	13-13	103423701	1-25, 1-27, 19-7, 19-9	103762201	18-13
103320301	13-13	103441401	13-9, 14-7	103762501	9-7
103320401	13-13	103452001	13-7	103778601	2-3
103320601	16-9, 16-11, 17-9, 17-11	103456001	1-29, 1-31	103779001	2-3
103324901	9-15	103456002	1-29, 1-31	103779004	2-3
103326401	10-9	103478901	13-15, 14-9	103806401	1-37
103327201	8-9, 9-15, 9-17, 13-15, 14-9	103479101	13-15, 14-9	103810201	6-3, 7-3
103331201	1-49, 1-51	103479201	13-15, 14-9	103828101	17-5
103340501	13-11	103479301	13-15, 14-9	103828201	16-7, 17-7
103340601	13-11	103485501	1-21	103829001	16-7, 17-7
103340701	13-11	103487501	1-21, 1-23	103829501	17-5
103340801	13-11	103488801	1-23	103829601	16-5, 17-5
103340901	13-11	103488802	1-23	103829701	16-5, 17-5
103341101	13-11	103496801	8-13, 9-21	103829801	16-5, 17-5
103341201	13-11	103500901	4-11	103829901	16-5, 17-5
103341301	13-11	103505301	4-11	103830001	16-5, 17-5
103341401	13-11	103505401	4-11	103831101	1-29, 1-31
103341501	13-11	103511201	1-41	103841701	6-11, 7-11
103341601	13-11	103521001	8-5, 9-5	103841801	6-13, 7-13
103341701	13-11	103523602	4-13	103842501	4-7
103341801	13-11	103523702	4-13	103843901	18-25
103341901	13-11	103525002	2-3, 2-5	103844301	1-47
103342001	13-11	103528201	10-5	103844401	1-47
103342101	13-11	103529501	4-11	103845501	6-15, 7-15
103342201	13-11	103529601	1-37	103847101	4-7
103342301	13-11	103529701	1-37	103848001	16-5
103342501	13-11	103529801	1-37	103848401	13-9, 14-7
103342601	13-11	103530701	1-37	103855901	11-47
103342701	13-11	103532801	2-3, 2-5	103856101	16-5
103343301	13-11	103534201	1-37	103856501	16-5
103343401	13-11	103535001	4-11	103859901	6-3, 7-3
103343501	13-11	103538701	1-55	103860302	6-15, 7-15
103343601	13-11	103538901	1-55	103860402	6-15, 7-15
103343701	13-11	103574301	4-3	103862701	6-3, 7-3
103343801	13-11	103588001	1-11, 1-13, 1-15	103865301	21-3
103343901	13-11	103591301	14-5	103866601	6-5, 7-5
103345501	10-11	103593201	14-5	103868201	18-27

INDEX

103868301	18-27	103959418	1-11, 1-13, 1-15	105206401	12-11
103871801	18-27	103959430	1-13	105206501	12-13
103873001	18-5	103959510	1-11, 1-13, 1-15	105206601	12-13, 12-43, 12-53
103879301	18-7	103959514	1-11, 1-15	105206701	12-15
103879401	18-7	103959518	1-11, 1-13, 1-15	105206901	12-21
103879501	18-25	103959530	1-13	105207001	12-29
103883001	18-21	103963501	14-3	105207101	12-25
103883201	13-15, 14-9	103963701	13-3	105207201	12-25
103883801	11-5	103966401	8-5, 9-5	105207301	12-25
103884001	17-5	103967201	5-7	105207401	12-25
103886001	18-5	103967301	5-7	105207501	12-27
103886101	18-5	103967401	5-7	105207601	12-27
103886201	6-15, 7-15	103967501	5-7	105207701	12-31
103886501	11-47	103967601	5-3	105207801	12-31
103886601	18-7	103967602	5-3	105207901	12-35, 12-41
103887901	10-3, 10-7, 10-9	103967701	5-13	105208001	12-37, 12-49
103892501	1-5	103967901	5-13	105208201	12-45
103892601	1-5	103968401	5-11	105208301	12-45
103896603	14-5	103968501	5-11	105208401	12-47
103901001	2-5	103968601	5-11	105208501	12-47
103901101	2-5	103968701	5-11	105208601	12-47
103901102	2-5	103968801	5-11	105208701	12-51
103901107	2-5	103968902	5-11	105208801	12-55
103901108	2-5	103969001	18-17	105208901	12-55
103905201	13-3, 14-3	103969801	6-7, 7-7	105209001	12-55
103921701	14-11	103973101	5-7	105218401	12-9
103921801	13-17	103978801	1-33, 1-35	105218501	12-9
103921901	14-11	103980901	6-9	105218601	12-11
103922001	13-17	103980902	6-9	105218701	12-13
103922801	18-27	103981201	10-13	105218801	12-13
103922901	18-27	103983301	5-11	105218901	12-15
103923001	6-15, 7-15	103986501	5-11	105219001	12-15
103924701	13-9	103986601	5-9	105219101	12-15
103930401	6-11, 7-11	103986901	5-9	105219201	12-15
103930501	6-13, 7-13	103987001	5-5	105219401	12-17
103939301	6-9, 7-9	103990201	18-23	105219501	12-21
103939302	6-9, 7-9	103993701	5-3	105219601	12-21
103941901	11-17	103993801	5-3	105219701	12-21
103944301	13-3, 14-3	104005601	5-11	105219801	12-21
103945601	3-9, 3-17, 3-25	104005701	5-11	105219901	12-21
103945602	3-9, 3-17, 3-25	104025201	5-3	105220001	12-21
103945701	3-17	105100901	18-23	105220101	12-21
103947102	1-5	105125301	18-17	105220201	12-21
103950101	14-3	105125401	18-17	105220301	12-21
103951501	6-9, 7-9, 18-25	105125501	18-19	105220401	12-29
103955901	1-47	105125601	18-19	105220501	12-29
103959210	1-11, 1-13, 1-15	105125701	18-17	105220601	12-29
103959214	1-11, 1-15	105125801	18-17	105220701	12-29
103959218	1-11, 1-13, 1-15	105125901	18-21	105220901	12-25
103959230	1-13	105159201	12-5	105221001	12-25
103959310	1-11, 1-13, 1-15	105200501	3-7, 3-23	105221101	12-23
103959314	1-11, 1-15	105200601	3-15	105221201	12-23
103959318	1-11, 1-13, 1-15	105205901	12-7	105221301	12-23
103959330	1-13	105206101	12-9	105221401	12-31
103959410	1-11, 1-13, 1-15	105206201	12-11	105221501	12-21
103959414	1-11, 1-15	105206301	12-11	105221601	12-21

INDEX

105221701 12-21
105221801 12-21
105221901 12-37
105222001 12-37
105222201 12-43
105222301 11-41, 12-43
105222401 11-41, 12-43
105222501 11-41, 12-43
105222601 12-45
105222701 12-45
105222801 12-45
105222901 11-43, 12-45
105223001 12-45
105223101 12-45
105225401 12-41
105225501 12-41
105225601 12-41
105225701 12-41
105225801 12-41
105225901 12-41
105226001 12-49
105226101 12-51
105226201 12-51
105226301 12-51
105226401 12-51
105226501 11-51, 12-53
105226601 12-55
105231101 12-7
105231201 12-31
105283703 7-9
105283704 7-9
96701412 10-5, 11-5, 12-5
96704176 19-3
96704416 8-13, 9-21, 15-5, 18-5, 19-3
96704622 11-5, 12-5
96704721 10-5, 11-5, 12-5
96704960 10-5
96705199 19-3
96705587 10-9
96715552 1-17, 1-41, 1-43
96718978 11-5, 12-5
96727003 20-13
96741038 11-5, 12-5
96741046 1-45, 5-11, 6-15, 7-15, 10-5, 11-5,
12-5, 20-27, 20-29
96742515 1-33, 1-35
96950126 13-17

A

A-arm 6-7, 7-7
accelerator cable 13-17, 14-11
accelerator pedal 13-15, 14-9
accessory receptacle 8-9, 9-15, 9-17
actuator 1-57
adapter
actuator 1-57

hose 10-9
oil filter 10-9
tube 10-9
adjuster, forward/aft 1-33, 1-35
adjuster, slider 1-33, 1-35
air filter 10-3, 11-3, 12-3, 13-9, 14-7
air filter canister 13-9, 14-7
air filter evacuator 13-9, 14-7
air filter gasket 13-13
alternator 11-35, 11-37, 12-37, 12-39
alternator belt 11-35, 11-37, 12-37, 12-39
arbor 21-3
arm
A 6-7, 7-7
A- 6-7, 7-7
governor link 13-19
governor shaft 13-19
rocker 10-15, 11-49, 12-51
arm attachment 20-15
assembly
accelerator pedal 13-15, 14-9
adjusting bolt 11-31, 12-33
alternator 11-35, 11-37, 12-37, 12-39
bearing case cover 11-21, 12-21
brake line 4-7
brake pedal 4-9, 5-9
bucket seat 1-33
camshaft 11-23, 12-29
case, main bearing 11-21, 12-21
connecting rod 11-25, 12-25
cylinder head cover 11-15, 12-15
drain cock 11-7, 12-7
filler cap 4-5, 5-5
forward/reverse 18-5
fuel camshaft 11-29, 12-31
fuel cap 13-3, 14-3
fuel filter/bracket 11-3, 12-3, 14-5
fuel injection pump 11-39, 12-41
fuel pump 13-5, 14-5
gear case 18-27
governor fork lever 11-45, 12-47
headlight harness 8-3, 8-5, 9-3, 9-5
idle apparatus 11-31, 12-33
intake manifold 11-51, 12-53
latch, tilt bed 1-55
muffler 6-7, 7-7, 18-13
nozzle holder 11-43, 12-45
oil pump 11-19, 12-19
overflow pipe 11-43, 12-45
pinion 18-27
piston ring 11-25, 11-57, 12-25
rocker arm 11-49, 12-51
speed plate 11-41, 12-43
tailgate 1-61
tether 1-61
thermostat 19-11

tilt bed 1-55
water pump 19-13
wire 8-13, 9-21, 10-9, 13-3, 14-3
attachment
bucket 20-7
pallet fork 20-5
push broom 20-11
snow blade 20-9
attachment arm 20-15
attachment interface 20-17
axle 18-25
axle tube 18-27
axle, rear 18-25

B

ball
check 11-23, 12-29
crankshaft 11-25, 12-23
governor 11-29, 12-31
injection pump 11-29, 12-31
valve 11-13, 12-13
ball joint 6-7, 6-9, 7-7, 7-9
band, pipe 19-11, 19-15
banjo bolt 4-3, 4-13, 5-3, 5-13
bar clamp 19-7, 19-9
barb, vent 11-47, 12-49, 14-5
barrel, plastic 1-29, 1-31, 1-59
barrier, heat 20-27, 20-29
base, seat holder 1-33, 1-35
battery clamp 8-13, 9-21
battery terminal protector spray 21-3
battery thermometer 21-3
battery, 12-volt, side-post 8-13, 9-21
bearing
hub 6-9, 7-9, 18-27
needle 18-9, 18-17, 18-19, 18-27
bearing and oil seal remover 21-3
bearing case cover 11-21, 12-21
bearing case, main 11-21, 12-21
bearing driver set 21-3
bearing puller 21-3
bearing puller wedge 21-3
bed floor plate 1-55
bed latch 1-59
bed latch spring 1-59
bed, tilt 1-55
bellcrank 18-21
bellows 6-5, 7-5, 18-25
belt guard 11-37, 12-39
belt, alternator 11-35, 11-37, 12-37, 12-39
belt, drive 16-3, 17-3
belt, V- 11-35, 11-37, 12-37, 12-39
bench seat back 1-29, 1-31
bench seat back cap 1-29, 1-31
bench seat bottom 1-29, 1-31
blade, snow 20-9

INDEX

- block, differential spacer 18-13
 - block, engine 11-7, 12-7
 - block, fuse 8-11, 9-19
 - bobbin, coil with press fit 18-9
 - bolt
 - adjusting 11-31, 12-33
 - banjo 4-3, 4-13, 5-3, 5-13
 - boot replacement kit, inner 18-15
 - boot replacement kit, outer 18-15
 - bottle, coolant 19-5
 - box, hydraulic control 20-19
 - bracket
 - actuator 1-57
 - bed latch 1-53
 - brake line 4-7, 5-7
 - brake pedal 4-9
 - carbon canister 13-7
 - cover inlet 16-11, 17-11
 - draw latch 1-11, 1-13, 1-15
 - equalizer 4-11
 - hood support 1-17
 - muffler 15-3
 - oil filter 10-9
 - oil filter mount 10-9
 - radiator support 19-3
 - rocker arm 11-49, 12-51
 - seatbelt 1-37
 - transmission cable 11-5, 12-5, 18-7
 - transmission mounting 11-5, 12-5
 - bracket, hinge, bed 1-55
 - brake cable 4-11
 - brake cable release tool 21-3
 - brake caliper bracket 5-3
 - brake caliper, front 4-3
 - brake caliper, rear 4-13, 5-13
 - brake front lh caliper 5-3
 - brake front rh caliper 5-3
 - brake line, front 4-7, 5-7
 - brake line, mid 5-7
 - brake line, rear 4-7, 5-7
 - brake master cylinder 5-5
 - brake pad service kit 4-3, 4-13
 - brake pads
 - front 5-3
 - rear 5-13
 - brake pedal 4-9, 5-9
 - brake return spring 4-11
 - brake rotor 4-3, 4-13, 5-3, 5-13
 - breaker, circuit 9-11
 - breather cover 11-15, 12-15
 - breather gasket 10-13
 - breather shield 11-15, 12-15
 - breather tube 11-15, 12-15
 - breather valve 11-15, 12-15
 - broom weldment 20-11
 - broom, push 20-11
 - brush, FNR 1-17
 - bucket attachment 20-7
 - bucket seat 1-33, 1-35
 - buckle, seat-belt 1-37
 - buckle, seatbelt 1-39
 - bulb, headlight 8-3, 8-5, 9-3, 9-5
 - bulb, signal 8-5, 9-5
 - bumper 19-3
 - bed 1-53, 1-57
 - front 1-3
 - rubber 1-61
 - bushing 1-57
 - A-arm 6-7, 6-15, 7-7, 7-15
 - flanged 12-29
 - flanged bronze 11-23
 - forward/reverse 18-5
 - greaseless 4-9, 5-9
 - lower arm 6-7, 7-7
 - nylon 1-59
 - Permgliide 18-9
 - piston pin 11-25, 11-57, 12-25
 - plain 18-11
 - return line 13-3, 14-3
 - self-lubricating 18-9
 - snap-in 1-59
 - steel 1-55
 - urethane 1-55
 - button, thrust 18-9
 - buzzer, reverse 8-9, 9-15, 9-17
- ## C
- cable
 - accelerator 13-17, 14-11
 - brake 4-11
 - choke 13-17
 - FNR shifter 18-7
 - main park brake 4-11
 - park brake 5-11
 - cage, roll 18-9
 - caliper
 - brake, front lh 5-3
 - brake, front rh 5-3
 - brake, rear 5-13
 - caliper brake park 5-11
 - caliper slide pin 5-13
 - caliper, brake, front 4-3
 - caliper, brake, rear 4-13
 - camber adjustment tool 21-3
 - camshaft 10-15, 11-23, 12-29
 - camshaft guide 10-15
 - camshaft kit 10-15
 - camshaft plate 10-15
 - camshaft spring 10-15
 - camshaft, fuel 11-29, 12-31
 - canister, air filter 13-9, 14-7
 - canister, carbon, fuel tank 13-7
 - canopy 1-47
 - cap
 - air filter 13-9, 14-7
 - bolt assembly 11-31, 12-33
 - center, alloy wheel 2-3, 2-5
 - corner 1-59
 - filler 4-5, 5-5
 - front corner 1-61
 - fuel 14-3
 - fuel, gas, ratchet 13-3
 - inlet 16-11, 17-11
 - oil fill 10-7
 - pressure 3-3, 3-11, 3-19, 19-5
 - radiator 19-3
 - rubber 6-9, 7-9, 18-13
 - sealing 11-7, 11-11, 12-7, 12-11
 - speed control plate 11-41, 12-43
 - valve 11-49, 12-51
 - carbon canister 13-7
 - carburetor 13-11
 - carburetor air vent tube 11-47, 12-49
 - carburetor gasket 13-11, 13-13
 - carburetor heater 13-11
 - carburetor jet 13-11
 - carburetor seal 13-11
 - carburetor shaft 13-11
 - carburetor solenoid 13-11
 - carburetor spring 13-11
 - carburetor throttle shaft 13-11
 - carburetor valve 13-11
 - card, safety first 21-5
 - carrier, differential 18-27
 - case
 - gear 11-13, 12-13, 18-25, 18-27
 - governor ball 11-29, 12-31
 - main bearing 11-21, 12-21
 - case cover, bearing 11-21, 12-21
 - center console 20-19
 - chain, transmission 18-17
 - charge coil 10-11
 - choke cable 13-17
 - circuit breaker 9-11
 - clamp
 - bar 19-7, 19-9
 - battery 8-13, 9-21
 - breather tube 11-15, 12-15
 - hose 11-47, 12-49, 13-5, 13-7, 14-5, 14-7
 - hose, green 13-7, 14-5
 - p- (fuel filter) 11-5, 12-5, 13-5
 - pipe 11-43, 12-45
 - clevis pin 4-5, 4-11, 5-5, 5-11
 - clip
 - body trim 1-11, 1-13, 1-15
 - brake line 4-7, 13-17, 14-11, 18-7
 - hair pin 1-61
 - meter 8-9, 9-15, 9-17

INDEX

- return pipe 11-43, 12-45
 - snap-close 5-7
 - wear 6-15, 7-15
 - closeout 1-49, 1-51
 - clutch 16-5, 16-7, 17-5, 17-7
 - clutch cover (non-sealed)
 - CVT 16-9, 17-9
 - clutch cover (sealed) 16-11, 17-11
 - clutch housing 18-9
 - clutch removal tool 21-3
 - coil
 - charge 10-11
 - ignition 10-11
 - pocket insert 18-9
 - coil over shock 6-11, 6-13, 7-11, 7-13
 - coil with press-fit bobbin 18-9
 - collar, alternator assembly 11-35, 11-37, 12-37, 12-39
 - collar, crankshaft 11-25, 12-23
 - collar, idle gear 11-23, 12-29
 - collar, lever 11-41, 12-43
 - collet 11-49, 12-51
 - column, steering 6-3, 7-3
 - compression gauge 21-3
 - compressor, valve spring 21-5
 - connecting rod 10-17, 11-25, 12-25
 - connector, relay 8-11, 9-19
 - console, center 20-19
 - continuity tester 21-3
 - control box, hydraulic 20-19
 - control panel 13-19
 - coolant bottle 19-5
 - coolant exchanger 19-3
 - coolant fill tee 19-3
 - coolant lamp sensor 19-11
 - coolant pipe 19-7
 - coolant pipe assembly 19-9
 - coolant temperature indicator light 9-15, 9-17
 - cooling fan 10-19, 19-3
 - cord, glow plug 11-43, 12-45
 - corner cap 1-61
 - coupling 20-25, 20-31
 - cover
 - alternator assembly 11-35, 12-37
 - bearing case 11-21, 12-21
 - breather 11-15, 12-15
 - CCI dash storage 1-19
 - crankcase 10-13
 - CVT 10-5, 11-5, 12-5, 16-11, 17-11
 - cylinder head 11-15, 12-15
 - electrical 8-11, 9-19
 - engine 10-5
 - fuel camshaft 11-7, 12-7
 - heat proof 11-53, 12-55
 - input 18-11
 - rocker 10-13
 - rocker switch hole 8-9, 9-15, 9-17
 - thermostat 19-11
 - cover gasket 13-11
 - cover plate, output 18-9
 - cowl panel 1-11, 1-13, 1-15
 - cowl panel, driver-side 1-11, 1-13, 1-15
 - cowl panel, passenger-side 1-11, 1-13, 1-15
 - crank 11-25, 12-21
 - crank oil seal 10-13
 - crankcase 10-13
 - crankcase cover 10-13
 - crankcase cover gasket 10-13
 - crankcase vent tube 13-13
 - crankshaft 10-17, 11-25, 12-23
 - cup holder 1-17
 - cup holder, seat 1-33, 1-35
 - CVT cover 10-5, 16-9, 17-9
 - CVT cover kit, sealed 16-11, 17-11
 - CVT cover kit, unsealed 16-11, 17-11
 - cylinder head 10-13, 11-11, 12-11
 - cylinder head cover 11-15, 12-15
 - cylinder, hydraulic, lift 20-21
 - cylinder, hydraulic, tilt 20-21
 - cylinder, master 4-5
- ## D
- dash 1-17
 - dash weldment 1-17
 - decal
 - 4x4 3-7, 3-9, 3-15, 3-17, 3-23, 3-25
 - bed warning 3-21
 - Club Car tailgate 1-61
 - crush area warning 3-5, 3-13, 3-21
 - driver/passenger 3-3, 3-11, 3-19
 - ground warning 3-3, 3-11, 3-19
 - hot manifold warning 3-3, 3-11, 3-19
 - hot surface warning 1-33, 1-35, 3-3, 3-11, 3-19
 - hydraulic controls 20-19
 - hydraulic pump 3-21
 - IntelliTach 3-27
 - joystick on/off 20-19
 - lock lever 3-21, 20-17
 - nameplate 3-7, 3-9, 3-15, 3-17
 - on/off 20-19
 - operating instructions 3-3, 3-13, 3-19
 - operator warning 3-5, 3-13
 - park brake 5-11
 - rollover warning 3-21
 - ROPS warning 3-5, 3-13, 3-21
 - rotating parts and hot manifold 3-3, 3-11, 3-19
 - rotating parts warning 3-5, 3-11, 3-13, 3-19, 3-21
 - tailgate 1-59
 - trailer hitch 3-5, 3-13, 3-21, 6-15, 7-15
 - under 16 warning 3-5, 3-13, 3-21
 - vehicle loading 3-5, 3-13
 - warning 3-13
 - winch cable warning 3-3, 3-11
 - deflector oil 18-17
 - detent, repair 18-19
 - diesel tachometer probe 21-5
 - differential housing 18-27
 - differential oil 18-3
 - differential, front 18-9
 - differential, rear 18-25, 18-27
 - diode 8-7, 9-9
 - dipstick, oil 11-17, 12-17
 - dowel pin 18-9
 - drag link 6-5, 7-5
 - drain cock 11-7, 12-7
 - drive belt 16-3, 17-3
 - drive clutch 16-5, 17-5
 - drive clutch fixed sheave tool 21-3
 - drive clutch service tool 21-3
 - drive clutch spider removal tool 21-3
 - drive shaft 18-23
 - driven clutch 16-7, 17-7
 - driven clutch spring compression base tool 21-3
 - driven clutch spring compression collar tool 21-3
 - driven clutch spring compression nut tool 21-3
 - dry moly lubricant 21-3
- ## E
- E-clip 4-11
 - elbow 14-3
 - electric motor 20-27, 20-29
 - end, tie rod 6-5, 7-5
 - engine block 11-7, 12-7
 - engine cover 10-5
 - engine shroud 10-19
 - engine starter motor 10-11
 - engine, gasoline, Kawasaki FH680 10-5
 - equalizer 4-11
 - equalizer rod 4-11
 - exchanger, engine coolant 19-3
 - exhaust gasket 11-55, 15-5, 15-7
 - exhaust header 15-5
 - exhaust header gasket 15-5
 - exhaust pipe 15-3, 15-7
 - exhaust shield 15-3, 15-7
 - exhaust valve 10-15, 11-49, 12-51
 - extension, spring latch 1-55
- ## F
- fan housing plate 10-19
 - fan shroud 19-3
 - fan, cooling 10-19, 19-3

INDEX

fascia 1-11, 1-13, 1-15
fastener, push-in 8-11, 9-19
fender, front 1-11, 1-13, 1-15
fender, left rear 1-49, 1-51
fender, rear 1-49, 1-51
filler cap 4-5, 5-5
filter
 air 10-3, 11-3, 12-3, 13-9, 14-7
 fuel 10-3, 11-3, 12-3, 13-5, 14-5
 inlet cover 16-11, 17-11
 oil 10-3, 10-7, 10-9, 11-3, 11-13, 12-3, 12-13
 oil pick up 11-9, 12-9
flange, water 19-11
float valve 13-11
floor plate, bed 1-55
floorboard 1-25, 1-27
fluid, hydraulic 20-27, 20-29
flywheel 10-11, 11-27, 12-27
FNR brush 1-17
FNR brush strip 1-17
FNR shifter 18-5
FNR shifter bracket 11-5, 12-5, 18-7
FNR shifter cable 18-7
foot well plate 1-27
fork, pallet 20-5
fork, transmission 18-17
frame, tilt bed 1-55
front bumper 1-3
front differential 18-9
front panel 1-59
fuel camshaft 11-29, 12-31
fuel cap 14-3
fuel filter 10-3, 11-3, 12-3, 13-5, 14-5
fuel gauge sending unit 13-3, 14-3
fuel gauge/hour meter 8-9, 9-15
fuel gauge/hour meter/seatbelt timer 9-17
fuel injection pump 11-39, 12-41
fuel line 13-5, 13-7
fuel pickup tube 14-3
fuel pump 13-5, 14-5
fuel tank (diesel) 14-3
fuel tank (gasoline) 13-3
fuel tank strap 13-5, 14-5
fuse
 10-amp 8-11, 9-19
 20-amp 9-11
 25-amp 8-11, 9-19
 30-amp 9-19
fuse block 8-11, 9-19

G

gasket 13-11
 air filter 13-13
 bearing case 11-21, 11-55, 12-21
 breather 10-13
 carburetor 13-11, 13-13

control plate 11-41, 11-55, 12-43
cover 11-21, 11-55, 12-21, 13-11, 16-11, 17-11
crankcase cover 10-13
cylinder head 11-11, 11-55, 12-11
cylinder head cover 11-15, 11-55, 12-15
drain plug 11-9, 12-9
exhaust 11-55, 15-7
exhaust header 15-5
exhaust-manifold 11-53, 11-55, 12-55
fuel pump 11-7, 11-55, 12-7
gearcase 11-13, 11-55, 12-13
head 10-13
head cover 11-55
head cover nut 11-31, 11-41, 11-43, 11-55, 12-33, 12-45
idle apparatus 11-31, 11-55, 12-33
injection pump 12-41
intake manifold 11-55
liquid 21-5
manifold 13-13
nozzle 11-43, 12-45
oil pump 11-19, 11-55, 12-19
rocker cover 10-13
sending unit 13-3, 14-3
thermostat 11-55, 19-11
water flange 11-55, 19-11
water pump 11-55, 19-13

gauge

 compression 21-3
 fuel-hour 8-9, 9-15
 fuel-hour-timer 9-17
 oil dipstick 10-7

gear

 cam 11-23, 12-29
 case 11-13, 12-13, 18-25, 18-27
 crank 11-25, 12-23
 helical 18-19
 idle 11-23, 12-29
 injection pump 11-29, 12-31
 oil pump 10-7
 oil pump drive 11-19, 12-19
 ring 11-27, 12-27, 18-9, 18-27
 steering 6-5, 7-5
gear case assembly, rear 18-17
gear case, front 18-17
gear ring engagement 18-19
gear yoke 21-3
glow plug 11-43, 12-45
glow plug cord 11-43, 12-45
governor control lever 13-19
governor fork lever 11-45, 12-47
governor lever 11-41, 12-43
governor link arm 13-19
governor oil seal 10-13
governor plate 13-19

governor return spring 13-19
governor shaft 13-19
governor shaft arm 13-19
governor spring 13-19
grill 1-11, 1-13, 1-15
grip tape, accelerator pad 13-15, 14-9
grip, tilt latch hand 1-55, 1-59
grommet 13-3, 14-3, 18-9
guard, belt 11-37, 12-39
guard, oil filter 10-9
guard, splash 1-17
guide
 camshaft 10-15
 exhaust valve 11-11, 12-11
 inlet valve 11-11, 12-11
 oil dipstick 11-17, 12-17
 rocker arm 10-15

H

hair pin clip 1-61
half shaft 18-13
handbook, operator 20-3
harness 1-57, 8-7, 9-7, 9-9, 10-11
harness, control panel wire 9-11
harness, headlight 9-7
harness, hydraulic power unit 9-11
harness, seatbelt light 9-13
harness, wire 8-3, 8-5, 9-3, 9-5
harness, wire - Kawasaki FH680 8-7
head gasket 10-13
head restraint 1-45
head restraint kit 1-45
head, cylinder 10-13, 11-11, 12-11
header, exhaust 15-5
headlight 8-3, 8-5, 9-3, 9-5, 9-7
headlight bulb 8-3, 8-5, 9-3, 9-5
headlight harness 8-3, 8-5, 9-3, 9-5, 9-7
heat barrier 20-27, 20-29
heat seal 11-43, 12-45
heater, carburetor 13-11
helical gear 18-19
high beam switch 9-15
hinge plate 1-29, 1-31, 1-33, 1-35
hinge, hood 1-11, 1-13, 1-15
holder
 cup 1-17
 FNR strip brush 1-17
 fork lever 11-45, 12-47
hood 1-11, 1-13, 1-15
hood latch 1-11, 1-13, 1-15
hood prop 1-11, 1-13, 1-15
hook, engine 11-11, 12-11
hose 19-5, 20-23, 20-31
 coolant 19-3, 19-7, 19-9, 19-15
 fuel 13-5, 13-7
 fuel return 14-5

INDEX

hydraulic 20-23, 20-25
inlet 16-11, 17-11
intake 13-9, 14-7
outlet 16-9, 16-11, 17-9, 17-11
vent 11-5, 12-5, 13-7, 18-13, 19-7, 19-9
hose clamp, green 13-7, 14-5
hour meter 8-9, 9-15, 9-17
housing
clutch 18-9
differential 18-27
Mate-N-Lock 18-9
hub
wheel 6-9, 7-9
hub, race/output 18-9
hydraulic control box 20-19
hydraulic fluid 20-27, 20-29
hydraulic hose 20-23, 20-25
hydraulic power unit 20-27, 20-29, 20-31
hydraulic power unit harness 9-11
hydraulic tube 20-21
hydrometer 21-5

I

idle apparatus 11-31, 12-33
idle gear 11-23, 12-29
ignition coil 10-11
indicator, turn signal 9-15
injection pump gear 11-29, 12-31
insulation, heat barrier 20-27, 20-29
insulator, manifold 13-13
intake adapter pipe 13-13
intake hose 13-9, 14-7
intake manifold 11-51, 12-53, 13-13
intake valve 10-15, 11-49, 12-51
internal retaining ring pliers 21-5
isolator ring and bushing 10-5, 11-5, 12-5
isolator, twin stud 19-3

J

jet kit
0-3300 ft 13-11
3300-6600 ft 13-11
6600+ ft 13-11
jet needle 13-11
jet, carburetor 13-11
joint
ball 6-7, 6-9, 7-7, 7-9
eye 11-39, 12-41
pipe 11-13, 12-13
joystick control 20-19
joystick control box 20-19

K

keeper, push-close latch 1-19
key 10-11

feather 11-19, 11-23, 11-25, 11-29, 12-19, 12-23, 12-31
key (pair) 8-9, 9-15, 9-17
key switch 8-9, 9-15, 9-17
key switch spacer 8-9, 9-15, 9-17
keyswitch nut 8-9, 9-15, 9-17
kick panel 1-49, 1-51
kit
auxiliary hydraulic 20-31
bolt 18-9
brake pad service 4-3, 4-13
canopy 1-47
carburetor jet 13-11
clutch 18-9
connecting rod 10-17
cover plate, input 18-11
cover plate, output 18-9
drain plug 18-9
forward gear repair 18-19
front skidplate hardware 1-9
front steel skidplate 1-9
gasket 11-55
H-clip spring 18-9
head restraint 1-45
hydraulic angle attachment 20-25
inner boot replacement 18-15
nozzle holder 11-43, 12-45
outer boot replacement 18-15
piston rebuild 11-57
race output hub 18-9
rear axle gear repair 18-27
repair, minor 18-9
reverse gear repair 18-17
roll cage 18-9
roller 18-9
ROPS 1-43
tailgate mounting 1-59
tube bumper 1-3
tune-up 10-3, 11-3, 12-3
knob, forward/reverse 18-5

L

latch 1-19
latch bracket 1-11, 1-13, 1-15
latch keeper 1-19
latch plate, tilt bed 1-53
latch, bed 1-59
latch, hood draw 1-11, 1-13, 1-15
latch, slam 1-61
latch, spring 1-61
latch, tilt bed 1-55
lateral link, rear suspension 6-15, 7-15
lens, headlight 8-3, 9-3
lever
engine stop 11-41, 12-43
fork 11-45, 12-47

governor 11-41, 12-43
governor control 13-19
speed control 11-41, 12-43
light
coolant temperature indicator 9-15, 9-17
oil 8-9, 9-15, 9-17
seat belt 9-17
turn signal 8-5, 9-5
light switch, high beam 9-15
limit switch 8-9, 9-15, 9-17, 13-15, 14-9
line, fuel 13-7
link, drag 6-5, 7-5
liquid gasket 21-5
low oil warning light 8-9, 9-15, 9-17
lubricant, dry moly 21-3
lug stud 6-9, 7-9, 18-25

M

manifold
exhaust 11-53, 12-55
intake 11-51, 12-53, 13-13
manifold gasket 13-13
manifold insulator 13-13
master cylinder 4-5, 5-5
Mate-N-Lock housing 18-9
Mate-N-Lock pin 18-9
meter clip 8-9, 9-15, 9-17
meter, volt ohm 21-5
motor 20-27, 20-29
starter 11-47, 12-49
muffler 6-7, 7-7, 15-3, 18-13

N

nameplate decal 3-7, 3-9, 3-15, 3-17
needle, jet 13-11
nongrease/spacers locker 18-27
nozzle holder 11-43, 12-45
nut, keyswitch 8-9, 9-15, 9-17

O

oil cap 10-7
oil deflector 18-17
oil dipstick gauge 10-7
oil drain plug 10-7
oil filter 10-3, 10-7, 10-9, 11-3, 11-13, 12-3, 12-13
oil filter adapter 10-9
oil filter bracket 10-9
oil filter guard 10-9
oil filter nipple 10-13
oil filter pick up 11-9, 12-9
oil pan 11-9, 12-9
oil pickup 10-7
oil pickup screen 10-7
oil pressure switch 10-11, 11-7, 12-7

INDEX

oil pump 10-7, 11-19, 12-19
oil pump drive gear 11-19, 12-19
oil pump plate 10-7
oil pump rotor 10-7
oil pump shaft 10-7
oil pump spring 10-7
oil pump spur gear 10-7
oil seal 11-13, 11-21, 12-13, 18-9, 18-11
oil seal, crank 10-13
oil seal, governor 10-13
oil slinger 11-25, 12-23
oil valve seal 10-13
oil warning light, low 8-9, 9-15, 9-17
oil, locking differential 18-3
operator handbook 20-3
O-ring 10-7, 10-9, 11-7, 11-9, 11-11, 11-13, 11-15, 11-25, 11-33, 11-41, 11-55, 12-9, 12-23, 12-35, 12-43, 13-11, 18-9, 18-11
overflow pipe 11-43, 12-45

P

pad
brake rear 5-13
brake, front 5-3
pallet fork 20-5
pan
center 1-33, 1-35, 20-19
oil 11-9, 12-9
seat 1-33, 1-35
panel
center cowl 1-11, 1-13, 1-15
control 13-19
driver-side 1-49, 1-51
driver-side cowl 1-11, 1-13, 1-15
front 1-59, 1-61
front kick 1-49, 1-51
left 1-61
passenger-side 1-49, 1-51
passenger-side cowl 1-11, 1-13, 1-15
right 1-61
side 1-49, 1-51, 1-59
park brake bracket 5-11
park brake cable 4-11, 5-11
park brake caliper 5-11
park brake foot pedal 5-11
park brake rotor 5-11
p-clamp (fuel filter) 11-5, 12-5, 13-5
pedal, accelerator 13-15, 14-9
pedal, brake 4-9, 5-9
pedal, park brake 4-11
pickup, oil 10-7
pin
bow tie locking 1-11, 1-13, 1-15, 4-11, 5-11
pin, cable 18-5
pin, clevis 4-5, 4-11, 5-5, 5-11
pin, dowel 18-9
pin, Mate-N-Lock 18-9
pin, piston 11-25, 11-57, 12-25
pinion 18-27
pipe
breather 11-51, 12-53
coolant 19-7, 19-15
exhaust 15-3, 15-7
injection 11-43, 12-45
intake adapter 13-13
overflow 11-43, 12-45
water return 11-15, 12-15, 19-11
pipe band 19-11, 19-15
pipe clamp 11-43, 12-45
piston 10-17, 11-25, 11-57, 12-25
piston pin 11-25, 11-57, 12-25
piston ring 11-25, 11-57, 12-25
piston ring set 0.50 10-17
plate
armature 18-9
back 1-55, 1-57
camshaft 10-15
closeout 1-49, 1-51
cover, output 18-9
electrical 8-11, 9-19
engine block 11-7, 12-7
engine mounting 11-5, 12-5
fan housing 10-19
foot well 1-27
governor 13-19
hinge 1-29, 1-31, 1-33, 1-35
latch 1-53
oil pump 10-7
shroud 11-27, 12-27
skid 1-7, 1-9
speed 11-41, 12-43
speed control 11-41, 12-43
tailgate latch wear 1-59
thrust 18-9
pliers
internal retaining ring 21-5
retaining ring 21-5
plug 18-17, 20-27, 20-29
drain 11-9, 12-9
engine block 11-7, 11-11, 11-13, 12-7, 12-11, 12-13, 18-25
expansion 11-7, 12-7
gearcase 18-17, 18-25
glow 11-43, 12-45
hole 8-9, 9-15, 9-17
oil drain 10-7, 18-9
oil fill 18-9
oil filler 11-15, 12-15
spark 10-3, 10-11, 10-13
tube 1-3
power unit, hydraulic 20-29, 20-31
prop rod 1-53

prop shaft 18-23
prop, hood 1-11, 1-13, 1-15
protector spray, battery terminal 21-3
puller
bearing 21-3
clutch 21-3
seal 21-5
special use tool 21-5
pulley
fan drive 11-35, 11-37, 12-37, 12-39
water pump 11-35, 11-37, 12-37, 12-39
pump
fuel 13-5, 14-5
fuel injection 11-39, 12-41
oil 11-19, 12-19
water 19-13
pump, oil 10-7
push broom 20-11
push rod 10-15, 11-23, 12-29
push rod tappet 10-15

R

radiator 19-3
radiator cap 19-3
radiator pipe assembly 19-9
rear axle 18-25
rear differential 18-25, 18-27
receptacle, accessory 8-9, 9-15, 9-17
reed valve assembly 10-13
regulator, voltage 10-11
relay 8-11, 9-19, 20-19
relay connector 8-11, 9-19
remover, bearing and oil seal 21-3
restraint, head 1-45
retainer
spring (driven clutch) 16-7, 17-7
valve spring 10-15, 11-49, 12-51
retaining ring pliers 21-5
retractor, seat-belt 1-37
reverse buzzer 8-9, 9-15, 9-17
ring
piston 11-25, 11-57, 12-25
retaining, ext 6-7, 6-9, 7-7, 7-9
snap 5-11
ring gear 11-27, 12-27, 18-9, 18-27
rivet, blind push 1-17
Rivet, Removable 1-11, 1-13, 1-15, 20-19
rocker arm 10-15, 11-49, 12-51
rocker arm guide 10-15
rocker arm stud 10-15
rocker cover 10-13
rocker cover gasket 10-13
rocker switch 1-57, 8-9, 9-15, 20-19
rocker switch (lights) 8-9, 9-15, 9-17
rod
"J" 13-15, 14-9

INDEX

connecting 11-25, 12-25
crank crank rod 11-25, 12-25
equalizer 4-11
prop 1-53
push 10-15, 11-23, 12-29
roll cage 18-9
ROPS front base weldment 1-41, 1-43
ROPS kit 1-43
ROPS seat support 1-41, 1-43
ROPS side 1-41
ROPS support tube 1-43
ROPS top 1-41, 1-43
ROPS warning decal 3-5, 3-13, 3-21
ROPS weldment 1-43
ROPS, 4 Pass 1-43
ROPS,Rear Handle 1-45
rotor disc brake 4-3, 4-13, 5-3, 5-13
rotor, oil pump 10-7
rubber bumper 1-61

S

safety first card 21-5
screen, oil pickup 10-7
seal
carburetor 13-11
dual lip 18-21, 18-27
heat 11-43, 12-45
oil 11-13, 11-21, 12-13, 18-9, 18-11
oil valve 10-13
triple lip 18-17
valve stem 11-49, 11-55, 12-51
seal puller 21-5
seat
bucket 1-33, 1-35
valve 11-13, 12-13
seat back cap, bench 1-29, 1-31
seat back, bench 1-29, 1-31
seat belt buckle 1-37
seat belt light 9-17
seat bottom, bench 1-29, 1-31
seat holder base 1-33, 1-35
seat, bucket 1-35
seatbelt buckle 1-39
seatbelt light harness 9-13
seat-belt retainer 1-37
sending unit, fuel gauge 13-3, 14-3
sensor, coolant lamp 19-11
shaft
carburetor 13-11
CVT adapter 11-5, 12-5
drive 18-23
fork lever 11-45, 12-47
governor 13-19
governor lever 11-41, 12-43
half 18-13
idle gear 11-23, 12-29

input 18-19
intermediate 18-19
oil pump 10-7
output 18-17
pinion 18-11
prop 18-23
rock arm 11-49, 12-51
shift 18-21
shield, breather 11-15, 12-15
shield, exhaust 15-3, 15-7
shim 18-27
shim, armature plate 18-9
shim, injection pump 11-39, 12-41
shim, latch plate 1-53
shock absorber, coil over 6-11, 6-13, 7-11, 7-13
shoe, skid 20-9
shroud, engine 10-19
shroud, fan 19-3
side panel 1-49, 1-51
side panel weldment 1-59
side stringer 1-21
signal bulb 8-5, 9-5
skid plate 1-7, 1-9
skid shoe 20-9
skidplate hardware kit 1-9
skidplate kit 1-9
slam latch 1-61
sleeve
crankshaft 11-25
governor 11-29, 12-31
lower arm 6-7, 7-7
upper suspension 6-7, 7-7
slinger, oil 11-25, 12-23
snow blade 20-9
snow blade weldment 20-9
solenoid, carburetor 13-11
solenoid, stop 11-33, 12-35
spacer 1-9
5/8 x 2 1/4 x 1 1/4 1-47
engine 11-5, 12-5
key switch 8-9, 9-15, 9-17
spacer block, differential 18-13
spanner wrench 21-5
spark plug 10-3, 10-11, 10-13
speed plate 11-41, 12-43
splash guard 1-17
spray, battery terminal protector 21-3
spring 10-7, 10-15
brake return 4-11
carburetor 13-11
choke spring 13-17
compression 16-5, 16-7, 17-7
exhaust 15-3
extension 1-55
governor 11-45, 12-47, 13-19
governor idle 13-17

governor return 13-19
idle apparatus 11-31, 12-33
latch tilt 1-59
pedal 13-15, 14-9
return 11-41, 12-43
rocker arm 11-49, 12-51
start 11-11, 11-45, 12-47
valve 10-15, 11-13, 11-49, 12-13, 12-51
wave 5-11
spring latch 1-61
sprocket 18-17
start spring 11-45, 12-47
starter motor 11-47, 12-49
starter motor, engine 10-11
stay
alternator assembly 11-35, 12-37
cylinder head 11-11, 12-11
spring 11-13, 12-13
stop solenoid 11-33, 12-35
steel bushing 1-55
steering
lower control arm 6-7, 7-7
slide adjuster 6-9, 7-9
upper A-arm 6-7, 7-7
upright 6-9, 7-9
steering column 6-3, 7-3
steering gear 6-5, 7-5
steering wheel 6-3, 7-3
steering wheel puller tool 21-5
stem, valve 2-3, 2-5
stop solenoid stay 11-33, 12-35
stopper, camshaft 11-23, 12-29
stopper, fuel camshaft 11-29, 12-31
strap, fuel tank 13-5, 14-5
stringer, side 1-21, 1-23
strip, FNR brush 1-17
stud 11-5, 11-39, 11-53, 12-5, 12-41, 19-15
idle adjustment 11-31, 12-33
lug 6-9, 7-9, 18-25
self-clinching 1-59, 1-61
support, structural 1-17
switch 20-27, 20-29
high beam 9-15
key 8-9, 9-15, 9-17
light rocker 8-9, 9-15, 9-17
limit 8-9, 9-15, 9-17, 13-15, 14-9
oil pressure 10-11, 11-7, 12-7
rocker 1-57, 8-9, 9-15
three-position 9-15
switch, rocker 20-19
switch, indicator 18-19
T
tachometer 21-5
tachometer probe, diesel 21-5
tailgate 1-59, 1-61

INDEX

tailgate angle 1-59, 1-61
tailgate latch wear plate 1-59
tailgate mounting kit 1-59
tank, fuel (diesel) 14-3
tank, fuel (gasoline) 13-3
tape, grip, accelerator pad 13-15, 14-9
tape, vinyl foam 1-55, 19-3
tappet 11-23, 12-29
tappet, push rod 10-15
tee, coolant fill 19-3
temperature indicator light, coolant 9-15, 9-17
tester, continuity 21-3
tether 1-61
thermometer, battery 21-3
thermostat 19-11
throttle shaft, carburetor 13-11
throttle valve 13-11
thrust button 18-9
thrust plate 18-9
tie rod end 6-5, 7-5
tie wrap 1-57, 4-7, 4-11, 6-5, 7-5, 18-5, 20-19
tilt bed 1-55
tilt bed frame 1-55
tilt latch hand grip 1-55, 1-59
tire
 all-terrain 2-3
 mud 2-5
tool
 brake cable release 21-3
 camber adjustment 21-3
 drive clutch fixed sheave 21-3
 drive clutch service 21-3
 drive clutch spider removal 21-3
 driven clutch spring compression base 21-3
 driven clutch spring compression collar 21-3
 driven clutch spring compression nut 21-3
 puller, special use 21-5
 steering wheel puller 21-5
track, prop rod 1-53
trailing link, rear suspension 6-15, 7-15
transaxle housing 18-27
transmission 18-17
transmission cable bracket 11-5, 12-5, 18-7
transmission chain 18-17
transmission fork 18-17
tube
 axle 18-27
 breather 11-15, 12-15
 carburetor air vent 11-47, 12-49
 crankcase vent 13-13
 fuel pickup 14-3
 hydraulic 20-21
 ROPS support 1-43
tube bumper kit 1-3

Tuflok 1-11, 1-13, 1-15, 20-19
tune-up kit 10-3, 11-3, 12-3
turn signal indicator 9-15
turn signal light 8-5, 9-5

U

u-joint
 replacement kit 18-23
urethane bushing 1-55

V

valve 13-9, 14-7, 20-27, 20-29
 breather 11-15, 12-15
 carburetor 13-11
 exhaust 10-15, 11-49, 12-51
 float 13-11
 intake 10-15, 11-49, 12-51
 seat 11-13, 12-13
 throttle 13-11
valve assembly, reed 10-13
valve spring 10-15
valve spring compressor 21-5
valve spring retainer 10-15
valve stem 2-3, 2-5
V-belt 11-35, 11-37, 12-37, 12-39
vent
 fuel tank 13-3, 14-3
vent barb 11-47, 12-49, 14-5
vent, barb 13-7
vent, housing, upper 18-27
vent, transmission 18-17
volt ohm meter 21-5
voltage regulator 10-11

W

warning light, low oil 8-9, 9-15, 9-17
water flange 19-11
water pump 19-13
wear clip 6-15, 7-15
wedge, bearing puller 21-3
weldment
 actuator bracket 1-57
 brake pedal 4-9, 5-9
 coolant pipe 19-7
 front dash 1-17
 ROPS base front 1-41, 1-43
 seat support ROPS 1-41, 1-43
 tilt bed frame 1-55
wheel
 alloy 2-3, 2-5
 hub 6-9, 7-9
 steel 2-3, 2-5
 steering 6-3, 7-3
wheel cap, alloy 2-3, 2-5
wire assembly 8-13, 9-21, 10-9, 13-3, 14-3

wire harness 1-57, 8-3, 8-5, 8-7, 9-3, 9-5, 9-7, 9-9, 10-11
wire harness - Kawasaki FH680 8-7
wire harness, control panel 9-11
wire harness, headlight 9-7
wire harness, hydraulic power unit 9-11
wrap, tie 1-57, 4-7, 4-11, 6-5, 7-5, 18-5, 20-19
wrench, spanner 21-5

Y

yoke, gear 21-3

NOTES



Club Car, LLC
P.O. Box 204658
Augusta, GA 30917-4658
USA

Web www.clubcar.com
Phone 1.706.863.3000
1.800.ClubCar
Int'l +1 706.863.3000
Fax 1.706.863.5808